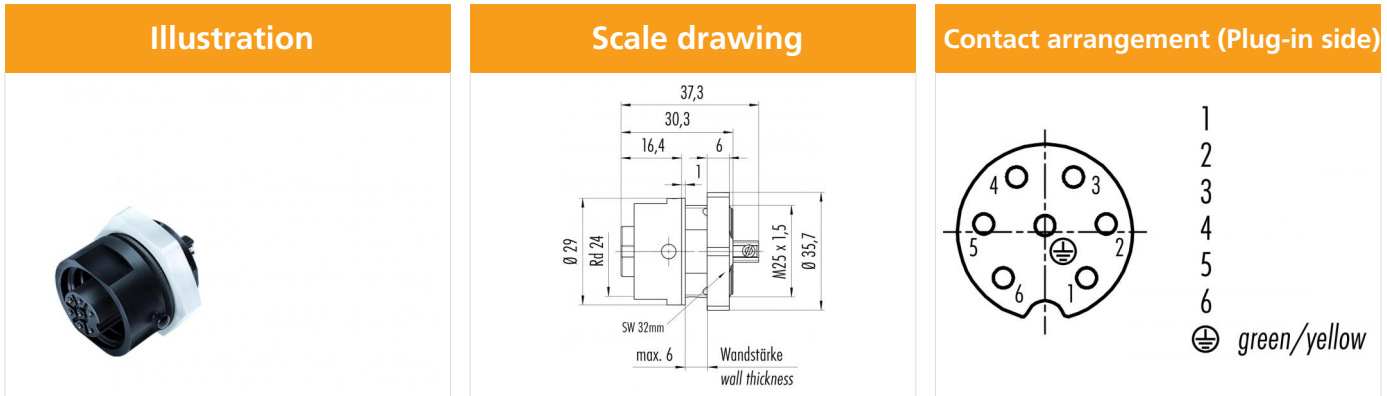


Product description	RD24 female panel mount connector, Contacts: 6+PE, unshielded, screw clamp, IP67, UL, ESTI+, VDE, central lock
Area	RD24 series 693
Order number	09 4220 150 07



You can find the assembly instructions on the next page.

Technical data

General features

Order number	09 4220 150 07
Connector design	female panel mount connector connector female straight central bolt screw clamp
Version	IP67
Connector locking system	max. 1.50 mm ² / max. AWG 16
Termination	-40 °C / 100 °C
Degree of protection	> 500 Mating cycles
Cross-sectional area	23.623
Temperature range from/to	85369010
Mechanical operation	
Weight (g)	
Customs tariff number	

Material

Contact body material	PA
Contact material	CuSn (bronze)
Contact plating	Ag (silver)
REACH SVHC	CAS 7439-92-1 (Lead)

Classifications

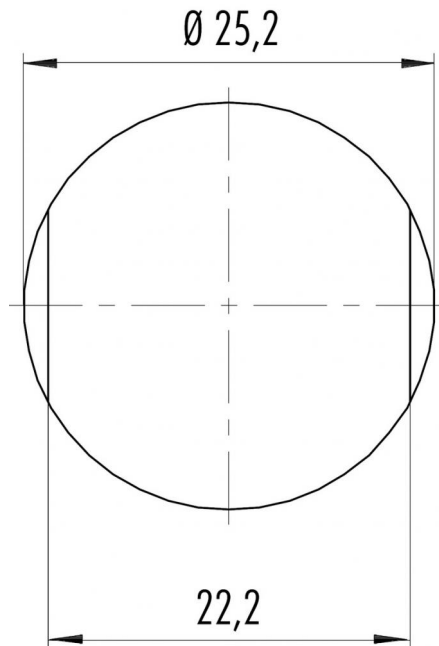
eCl@ss 11.1	27-44-01-09
ETIM 7.0	EC003569

Electrical parameters

Rated voltage	250 V
Rated impulse voltage	4000 V
Rated current (40 °C)	10 A (8 A UL)
Insulation resistance	≥ 10 ¹⁰ Ω
Pollution degree	3
Overvoltage category	III
Insulating material group	III
EMC compliance	unshielded

Product description	RD24 female panel mount connector, Contacts: 6+PE, unshielded, screw clamp, IP67, UL, ESTI+, VDE, central lock
Area	RD24 series 693
Order number	09 4220 150 07

Assembly instructions / Panel cut-out



Product description	RD24 female panel mount connector, Contacts: 6+PE, unshielded, screw clamp, IP67, UL, ESTI+, VDE, central lock
Area	RD24 series 693
Order number	09 4220 150 07

Security notices

The connector must not be plugged or unplugged under load. Non-observance and improper use can result in personal injury.

The connectors have been developed for applications in plant engineering, control and electrical equipment construction. The user is responsible for checking whether the connectors can also be used in other areas of application.

Plug connectors with enclosure protection IP 67 and IP 68 are not suitable for use under water. When used outdoors, the plug connectors must be protected separately against corrosion. For further information on the IP protection classes, please refer to the "Technical Information" download centre.