

# Product data sheet

## Power connectors

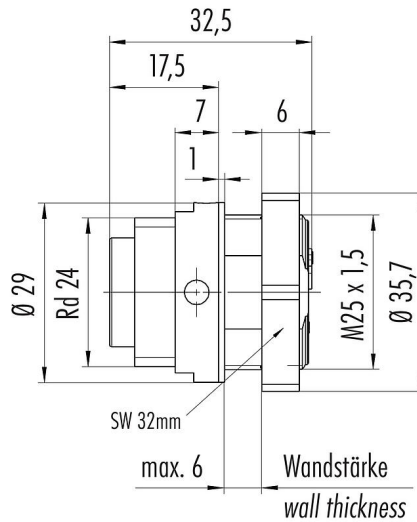


Product description	RD24 male panel mount connector, Contacts: 3+PE, unshielded, screw clamp, IP67, UL, ESTI+, VDE, central lock
Area	RD24 series 693
Part no.	09 4223 150 04

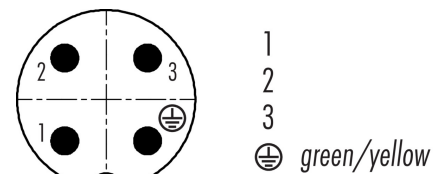
### Illustration



### Scale drawing



### Contact arrangement (Plug-in side)



You can find the assembly instructions on the next page.

### Technical data

#### General features

Part no.	09 4223 150 04
Connector design	male panel mount connector
Version	connector male straight
Connector locking system	central bolt
Termination	screw clamp
Degree of protection	IP67
Cross-sectional area	max. 2.50 mm <sup>2</sup> / max. AWG 14
Temperature range from/to	-40 °C / 100 °C
Mechanical operation	> 500 Mating cycles
Weight (g)	21.18
Customs tariff number	85369010

#### Electrical parameters

Rated voltage	400 V (UL 600 V)
Rated impulse voltage	6000 V
Rated current (40 °C)	16 A (12 A UL)
Insulation resistance	≥ 10 <sup>10</sup> Ω
Pollution degree	3
Overvoltage category	III



# Product data sheet

## Power connectors



Product description	RD24 male panel mount connector, Contacts: 3+PE, unshielded, screw clamp, IP67, UL, ESTI+, VDE, central lock
Area	RD24 series 693
Part no.	09 4223 150 04

Insulating material group	III
EMC compliance	unshielded

### Material

Contact body material	PA
Contact material	CuZn (brass)
Contact plating	Ag (silver)
REACH SVHC	CAS 7439-92-1 (Lead)
SCIP number	703ad172-dac4-4ca4-bd43-04783195b05d

### Authorization/approvals

Approvals	UL, ESTI+, VDE
-----------	----------------

### Classifications

eCl@ss 11.1	27-44-01-09
ETIM 7.0	EC003569

**Product data sheet**  
**Power connectors**



Product description	RD24 male panel mount connector, Contacts: 3+PE, unshielded, screw clamp, IP67, UL, ESTI+, VDE, central lock
Area	RD24 series 693
Part no.	09 4223 150 04

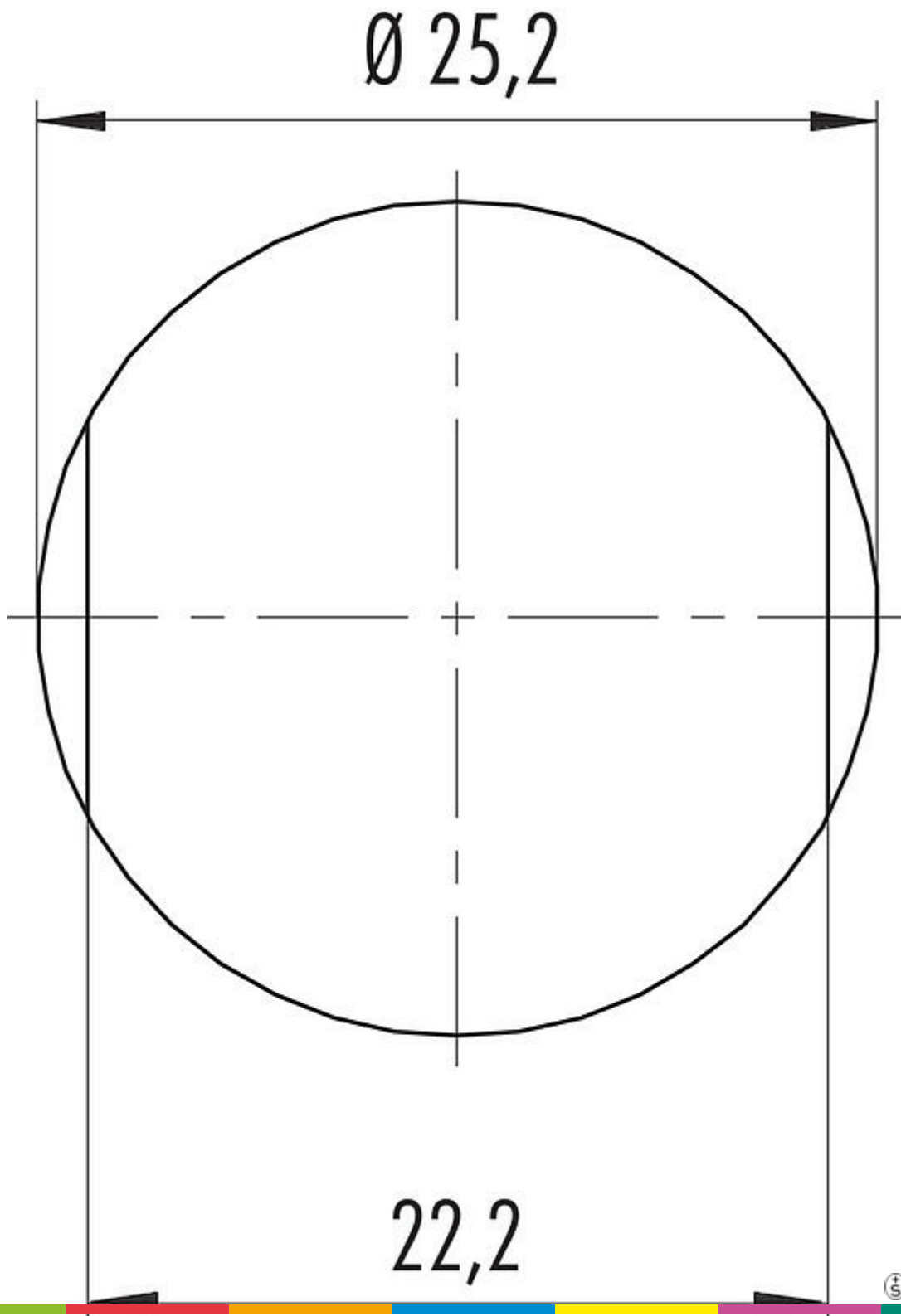
**Product data sheet**  
**Power connectors**



Product description	RD24 male panel mount connector, Contacts: 3+PE, unshielded, screw clamp, IP67, UL, ESTI+, VDE, central lock
Area	RD24 series 693
Part no.	09 4223 150 04

Product description	RD24 male panel mount connector, Contacts: 3+PE, unshielded, screw clamp, IP67, UL, ESTI+, VDE, central lock
Area	RD24 series 693
Part no.	09 4223 150 04

### Assembly instructions / Panel cut-out



Product description	RD24 male panel mount connector, Contacts: 3+PE, unshielded, screw clamp, IP67, UL, ESTI+, VDE, central lock
Area	RD24 series 693
Part no.	09 4223 150 04

## Security notices

The connector must not be plugged or unplugged under load. Non-observance and improper use can result in personal injury.

The connectors have been developed for applications in plant engineering, control and electrical equipment construction. The user is responsible for checking whether the connectors can also be used in other areas of application.

Plug connectors with enclosure protection IP 67 and IP 68 are not suitable for use under water. When used outdoors, the plug connectors must be protected separately against corrosion. For further information on the IP protection classes, please refer to the "Technical Information" download centre.