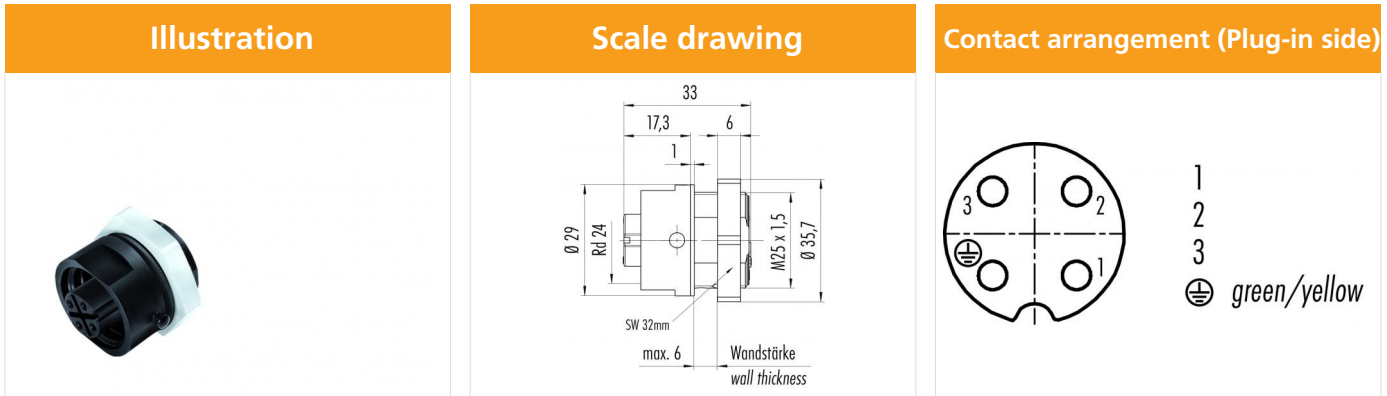


Product description	RD24 female panel mount connector, Contacts: 3+PE, unshielded, screw clamp, IP67, UL, ESTI+, VDE, central lock
Area	RD24 series 693
Order number	09 4224 150 04



You can find the assembly instructions on the next page.

Technical data

General features

Order number	09 4224 150 04
Connector design	female panel mount connector connector female straight central bolt screw clamp IP67
Version	max. 2.50 mm ² / max. AWG 14
Connector locking system	-40 °C / 100 °C
Termination	> 500 Mating cycles
Degree of protection	22.635
Cross-sectional area	85369010
Temperature range from/to	
Mechanical operation	
Weight (g)	
Customs tariff number	

Material

Contact body material	PA
Contact material	CuZn (brass)
Contact plating	Ag (silver)
REACH SVHC	CAS 7439-92-1 (Lead)

Classifications

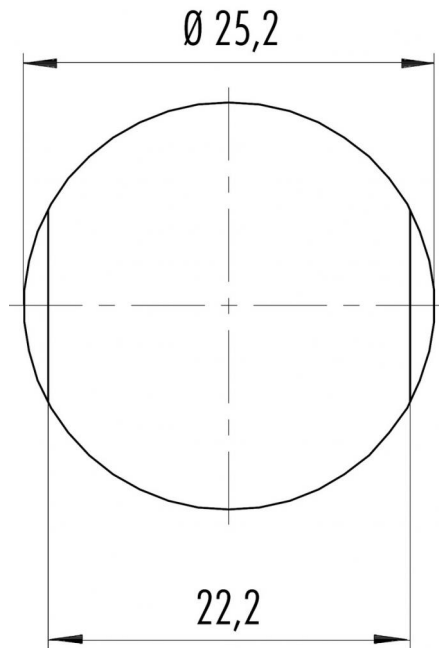
eCl@ss 11.1	27-44-01-09
ETIM 7.0	EC003569

Electrical parameters

Rated voltage	400 (UL 600 V) V
Rated impulse voltage	6000 V
Rated current (40 °C)	16 A (12 A UL)
Insulation resistance	≥ 10 ¹⁰ Ω
Pollution degree	3
Overvoltage category	III
Insulating material group	III
EMC compliance	unshielded

Product description	RD24 female panel mount connector, Contacts: 3+PE, unshielded, screw clamp, IP67, UL, ESTI+, VDE, central lock
Area	RD24 series 693
Order number	09 4224 150 04

Assembly instructions / Panel cut-out



Product description	RD24 female panel mount connector, Contacts: 3+PE, unshielded, screw clamp, IP67, UL, ESTI+, VDE, central lock
Area	RD24 series 693
Order number	09 4224 150 04

Security notices

The connector must not be plugged or unplugged under load. Non-observance and improper use can result in personal injury.

The connectors have been developed for applications in plant engineering, control and electrical equipment construction. The user is responsible for checking whether the connectors can also be used in other areas of application.

Plug connectors with enclosure protection IP 67 and IP 68 are not suitable for use under water. When used outdoors, the plug connectors must be protected separately against corrosion. For further information on the IP protection classes, please refer to the "Technical Information" download centre.