

# Product data sheet

## Automation technology - data transmission

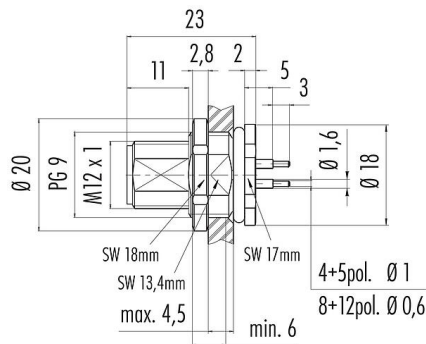


|                     |   |
|---------------------|---|
| Product description | <b>M12-B Male panel mount connector, Contacts: 4, unshielded, THT, IP68, UL, PG 9, front fastened</b> |
| Area                | <b>M12-B series 766</b>   |
| Part no.            | <b>09 4431 90 04</b>  |

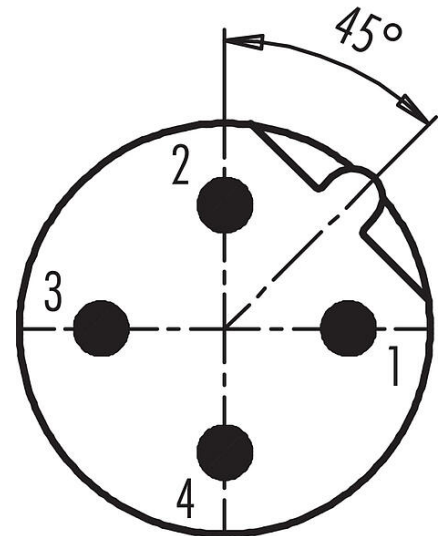
### Illustration



### Scale drawing



### Contact arrangement (Plug-in side)



You can find the assembly instructions on the next page.

### Technical data

#### General features

|                           |                            |
|---------------------------|----------------------------|
| Part no.                  | <b>09 4431 90 04</b>       |
| Connector design          | Male panel mount connector |
| Version                   | Connector pin straight     |
| Connector locking system  | screw                      |
| Termination               | THT                        |
| Degree of protection      | IP68                       |
| Temperature range from/to | -25 °C / 85 °C             |
| Mechanical operation      | > 100 Mating cycles        |
| Weight (g)                | 12.05                      |
| Customs tariff number     | 85369010                   |

#### Electrical parameters

|                           |                 |
|---------------------------|-----------------|
| Rated voltage             | 250 V           |
| Rated impulse voltage     | 2500 V          |
| Rated current (40 °C)     | 4.0 A           |
| Insulation resistance     | > $10^8 \Omega$ |
| Pollution degree          | 3               |
| Overvoltage category      | II              |
| Insulating material group | II              |

# Product data sheet

## Automation technology - data transmission



Product description **M12-B Male panel mount connector, Contacts: 4, unshielded, THT, IP68, UL, PG 9, front fastened**  
 Area **M12-B series 766**  
 Part no. **09 4431 90 04**

EMC compliance unshielded

### Material

Housing material Zinc die-cast nickel-plated  
 Contact body material PA  
 Contact material CuZn (brass)  
 Contact plating Au (gold)  
 REACH SVHC CAS 7439-92-1 (Lead)  
 SCIP number SCIP-number not available

### Authorization/approvals

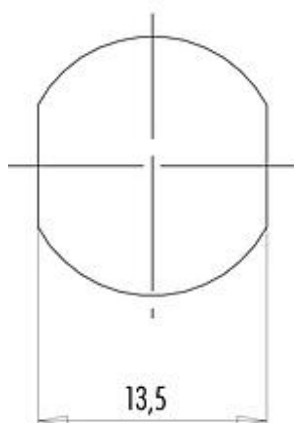
Approvals UL

### Classifications

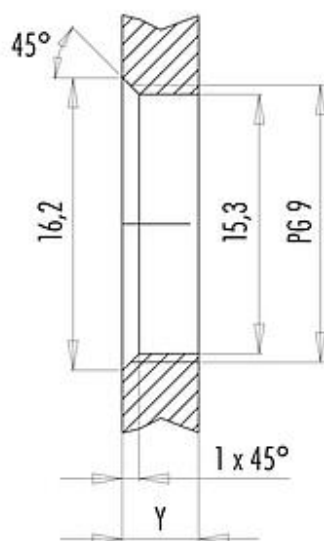
eCl@ss 11.1 27-44-01-09  
 ETIM 7.0 EC003569

### Assembly instructions / Panel cut-out

With flats as anti-rotation device



With bore hole



Installation direction: o-ring sits on chamfer.

Tightening moment

Metall housing/Plastic housing 1,25 Nm

| Thickness of wall Y (mm)           |                                    |          |
|------------------------------------|------------------------------------|----------|
| Version                            | min (mm)                           | max (mm) |
| Fastened from rear                 | 2                                  | 3,5      |
| Front fastened                     | 2                                  | 4,5      |
| positioning possible <sup>1)</sup> | 2                                  | 3,5      |
| Screw clamp                        | 2                                  | 3,5      |
| Thread M12 x 1                     | 2                                  | 3,0      |
| Thread M14 x 1 <sup>2)</sup>       | <sup>3)</sup> 1,5/ <sup>4)</sup> 2 | 6,5      |

#### Notes

<sup>1)</sup> Do not attach a chamfer

<sup>2)</sup> Wall thickness:

use nut 38 5385 100 001 up to 1,5 mm,  
 >1,5 mm cut thread

<sup>3)</sup> Nut

<sup>4)</sup> Thread in wall of housing

|                     |   |
|---------------------|---|
| Product description | <b>M12-B Male panel mount connector, Contacts: 4, unshielded, THT, IP68, UL, PG 9, front fastened</b> |
| Area                | <b>M12-B series 766</b>   |
| Part no.            | <b>09 4431 90 04</b>  |

### Security notices

The connector must not be plugged or unplugged under load. Non-observance and improper use can result in personal injury.

The connectors have been developed for applications in plant engineering, control and electrical equipment construction. The user is responsible for checking whether the connectors can also be used in other areas of application.

The user must take suitable safety precautions to ensure that the connector cannot be accidentally disconnected.

Plug connectors with enclosure protection IP67 and IP68 are not suitable for use under water. For further information on the IP protection classes, please refer to the "Technical Information" download centre.