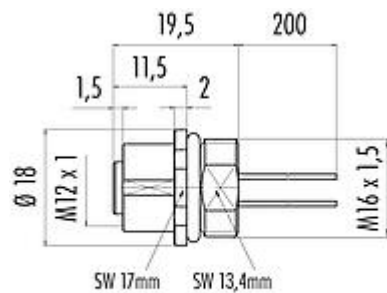


Product description	M12-B Female panel mount connector, Contacts: 4, unshielded, single wires, IP68, M16x1.5
Area	M12-B series 766
Part no.	09 4432 700 04

Illustration

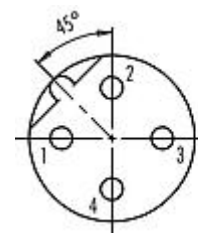


Scale drawing



Version with zinc diecasted housing

Contact arrangement (Plug-in side)



- 1 braun/brown
- 2 weiß/white
- 3 blau/blue
- 4 schwarz/black

You can find the assembly instructions on the next page.

Technical data

General features

Part no.	09 4432 700 04
Connector design	Female panel mount connector
Wire length	0,2 m
Version	female straight
Connector locking system	screw
Termination	single wires
Degree of protection	IP68
Cross-sectional area	0.25 mm <sup>2</sup> / AWG 24
Temperature range from/to	-40 °C / 85 °C
Mechanical operation	> 100 Mating cycles
Weight (g)	12.75
Customs tariff number	85369010

Electrical parameters

Rated voltage	250 V
Rated impulse voltage	2500 V
Rated current (40 °C)	4,0 A
Insulation resistance	> 10 <sup>8</sup> Ω
Pollution degree	3
Overvoltage category	II
Insulating material group	II

Product description	M12-B Female panel mount connector, Contacts: 4, unshielded, single wires, IP68, M16x1.5
Area	M12-B series 766
Part no.	09 4432 700 04

EMC compliance unshielded

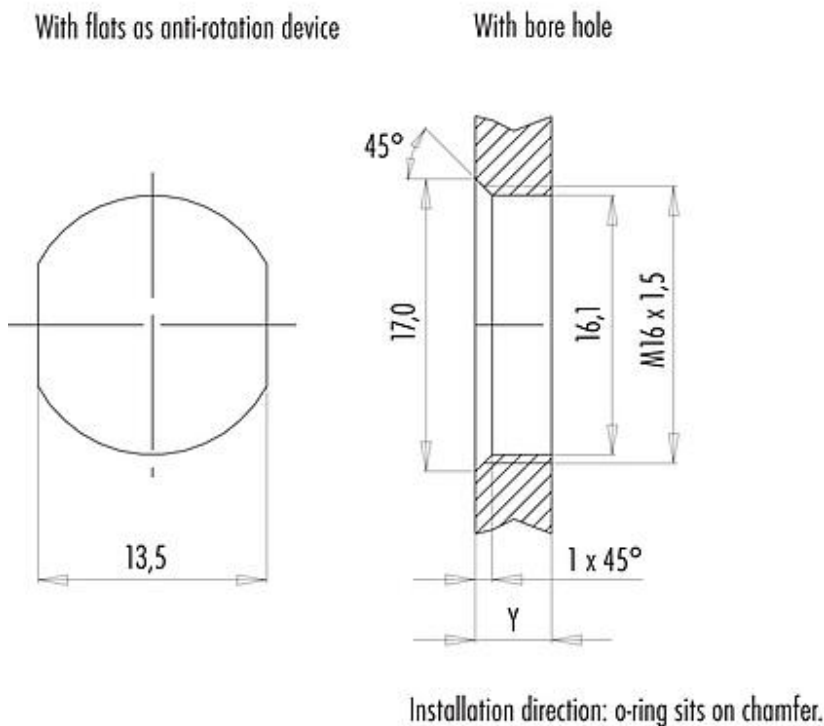
Material

Housing material	Zinc die-cast nickel-plated
Contact body material	PA black
Contact material	CuSn (bronze)
Contact plating	Au (gold)
REACH SVHC	CAS 7439-92-1 (Lead)
SCIP number	0f7c2c30-7f17-417c-a424-72859a470fa0

Classifications

eCl@ss 11.1	27-44-01-03
ETIM 7.0	EC003570

Assembly instructions / Panel cut-out



Tightening moment  
Metall housing/Plastic housing 1,25 Nm

Thickness of wall Y (mm)		
Version	min (mm)	max (mm)
Fastened from rear	2	3,5
Front fastened	2	4,5
positioning possible <sup>1)</sup>	2	3,5
Screw clamp	2	3,5
Thread M12 x 1	2	3,0
Thread M14 x 1 <sup>2)</sup>	<sup>3)</sup> 1,5/ <sup>4)</sup> 2	6,5

Notes

- <sup>1)</sup> Do not attach a chamfer
- <sup>2)</sup> Wall thickness:  
use locknut 01-5385 up to 1,5 mm,  
>1,5 mm cut thread
- <sup>3)</sup> Nut
- <sup>4)</sup> Thread in wall of housing

Product description	<b>M12-B Female panel mount connector, Contacts: 4, unshielded, single wires, IP68, M16x1.5</b>
Area	<b>M12-B series 766</b>
Part no.	<b>09 4432 700 04</b>

### Security notices

The connector must not be plugged or unplugged under load. Non-observance and improper use can result in personal injury.

The connectors have been developed for applications in plant engineering, control and electrical equipment construction. The user is responsible for checking whether the connectors can also be used in other areas of application.

The user must take suitable safety precautions to ensure that the connector cannot be accidentally disconnected.

Plug connectors with enclosure protection IP67 and IP68 are not suitable for use under water. For further information on the IP protection classes, please refer to the "Technical Information" download centre.