

Product data sheet

Subminiature connectors

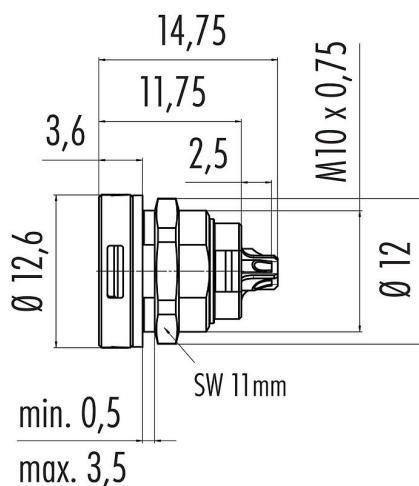


Product description	Micro Push-Pull female panel mount connector, Contacts: 5, unshielded, solder, IP67
Area	Micro Push-Pull series 420
Part no.	09 4716 00 05

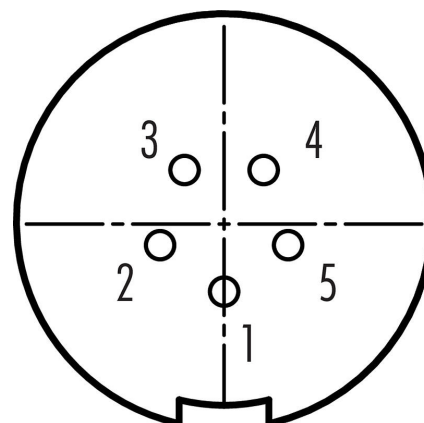
Illustration



Scale drawing



Contact arrangement (Plug-in side)



You can find the component part drawing and assembly instructions on the next page.

Technical data

General features

Part no.	09 4716 00 05
Connector design	female panel mount connector
Version	connector female straight
Connector locking system	Micro Push-Pull
Termination	solder
Degree of protection	IP67
Cross-sectional area	0.14 mm ² / AWG 26
Temperature range from/to	-40 °C / 80 °C
Mechanical operation	> 1000 Mating cycles
Weight (g)	1.58
Customs tariff number	85369010

Electrical parameters

Rated voltage	125 V
Rated impulse voltage	1500 V
Rated current (40 °C)	1 A
Pollution degree	2
Overvoltage category	II
Insulating material group	II

Product data sheet

Subminiature connectors

Product description	Micro Push-Pull female panel mount connector, Contacts: 5, unshielded, solder, IP67
Area	Micro Push-Pull series 420
Part no.	09 4716 00 05

EMC compliance	unshielded
----------------	------------

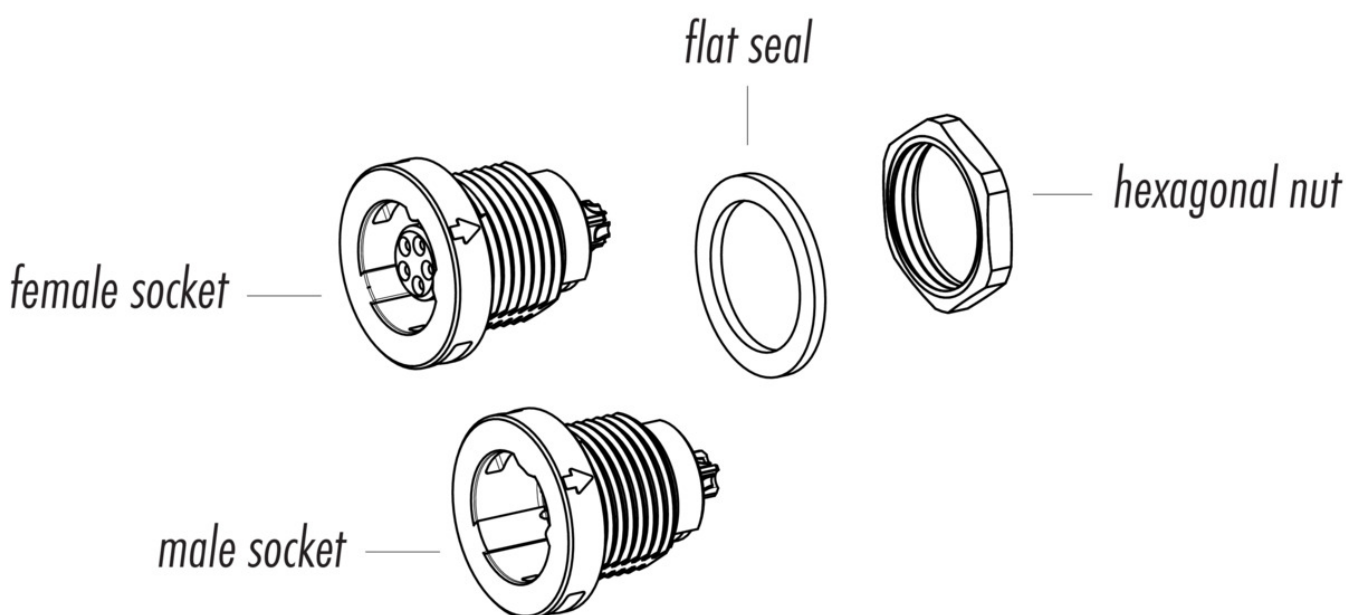
Material

Housing material	PA
Contact body material	PA
Contact material	CuSn (bronze)
Contact plating	Au (gold)
REACH SVHC	CAS 7439-92-1 (Lead)
SCIP number	11f26d25-7900-43b3-bea3-277051f8675c

Classifications

eCl@ss 11.1	27-44-01-09
ETIM 7.0	EC003569

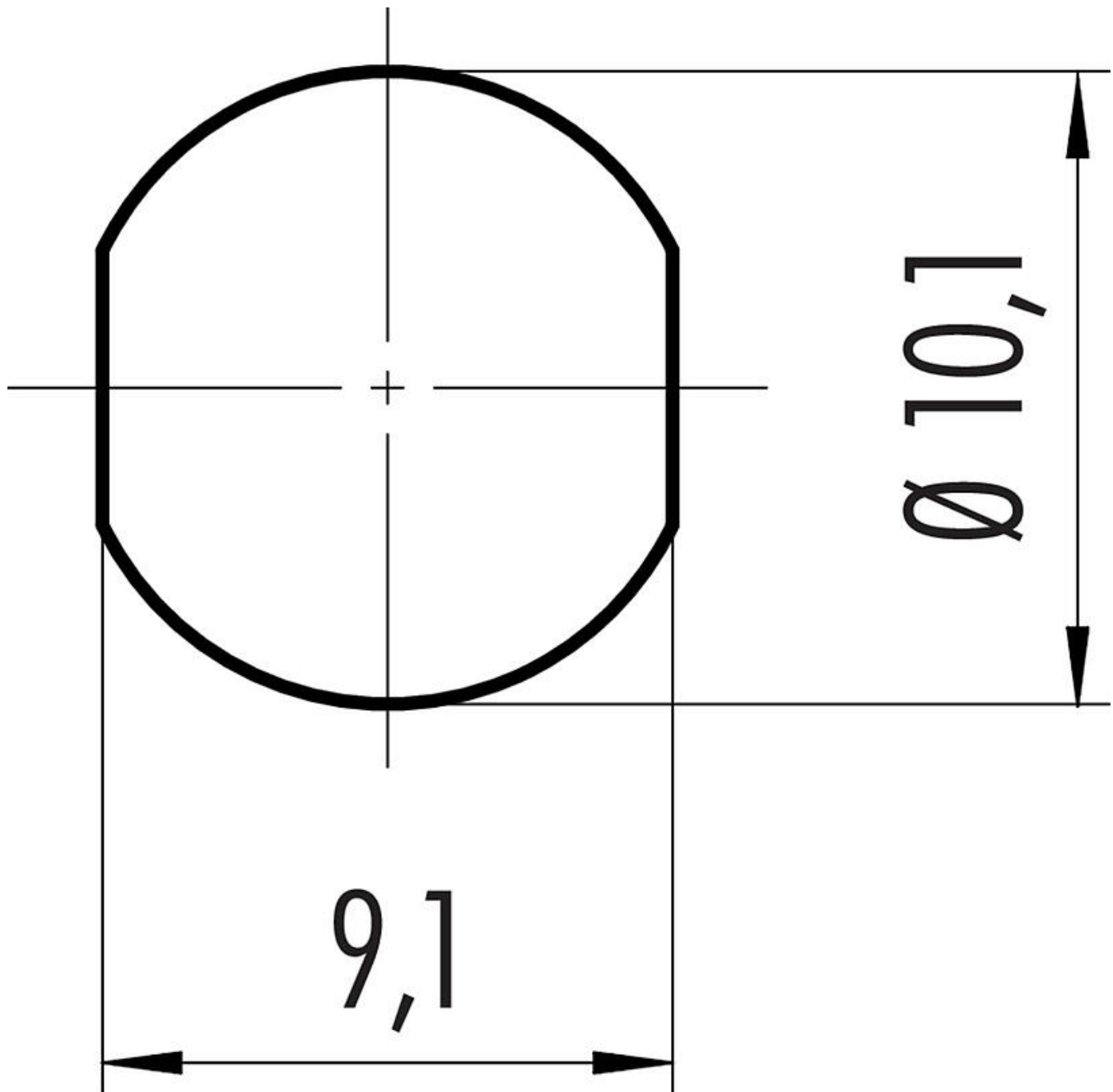
Component part drawing



Product description Micro Push-Pull female panel mount connector, Contacts: 5, unshielded, solder, IP67

Area Micro Push-Pull series 420
Part no. 09 4716 00 05

Assembly instructions / Panel cut-out



Product description	Micro Push-Pull female panel mount connector, Contacts: 5, unshielded, solder, IP67
Area Part no.	Micro Push-Pull series 420 09 4716 00 05

Security notices

The connector must not be plugged or unplugged under load. Non-observance and improper use can result in personal injury.

The connectors have been developed for applications in plant engineering, control and electrical equipment construction. The user is responsible for checking whether the connectors can also be used in other areas of application.

Connectors which are used in circuits with voltages dangerous to the touch may only be installed and used by, or under the supervision of, persons with electrical engineering training, taking into account the applicable regulations and standards.

Plug connectors with enclosure protection IP 67 and IP 68 are not suitable for use under water. When used outdoors, the plug connectors must be protected separately against corrosion. For further information on the IP protection classes, please refer to the "Technical Information" download centre.