

Product data sheet

Miniature connectors



Product description **Push-Pull Female panel mount connector, Contacts: 12, shieldable, solder, IP67**

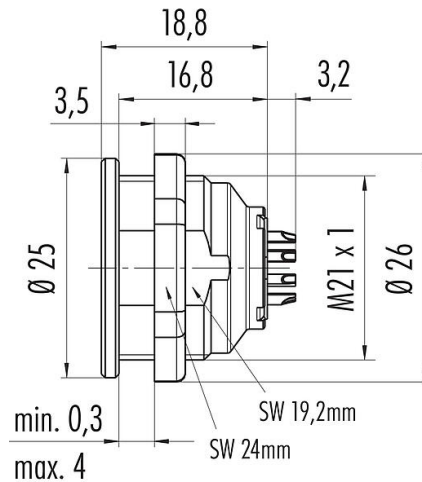
Area **Push-Pull series 440**

Part no. **09 4836 00 12**

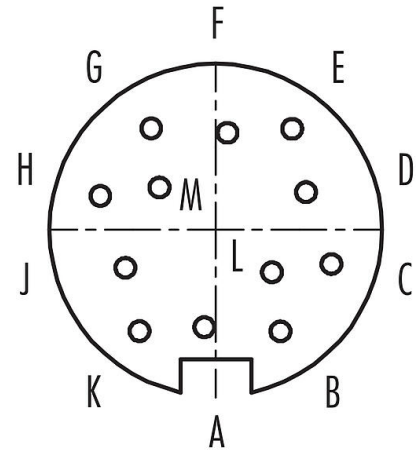
Illustration



Scale drawing



Contact arrangement (Plug-in side)



You can find the component part drawing and assembly instructions on the next page.

Technical data

General features

Part no.	09 4836 00 12
Connector design	Female panel mount connector
Version	Connector socket straight
Connector locking system	Push-Pull
Termination	solder
Degree of protection	IP67
Cross-sectional area	0.25 mm ² / AWG 24
Temperature range from/to	-40 °C / 85 °C
Mechanical operation	> 1000 Mating cycles
Weight (g)	20.63
Customs tariff number	85369010

Electrical parameters

Rated voltage	60 V
Rated impulse voltage	500 V
Rated current (40 °C)	3,0 A
Insulation resistance	≥ 10 ¹⁰ Ω
Pollution degree	1
Overvoltage category	I
Insulating material group	III
EMC compliance	shieldable
Shield connection	Shield on the housing

Product data sheet

Miniature connectors

Product description **Push-Pull Female panel mount connector, Contacts: 12, shieldable, solder, IP67**

Area **Push-Pull series 440**
Part no. **09 4836 00 12**

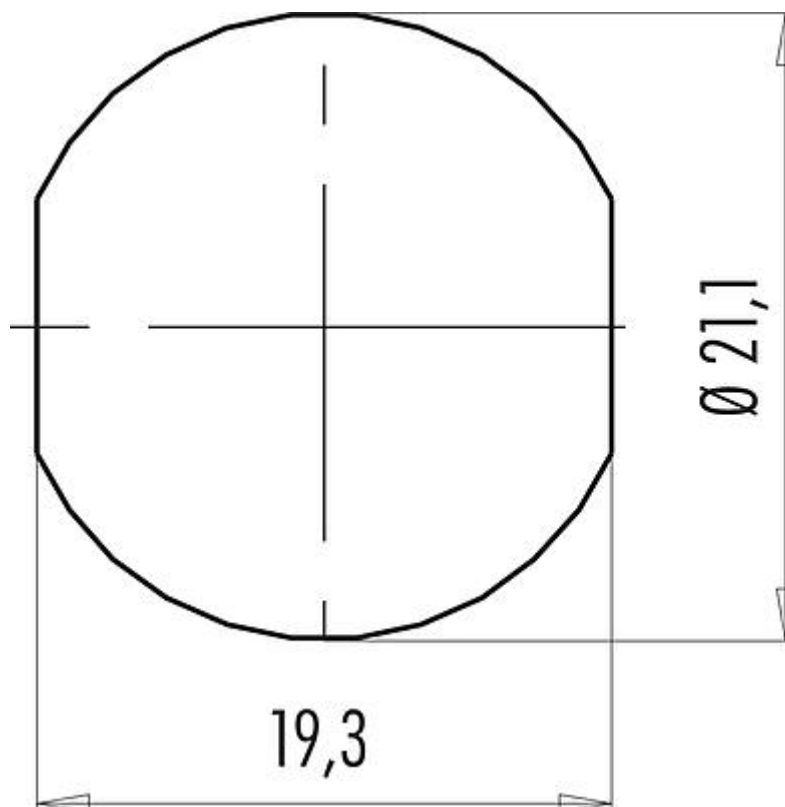
Material

Contact body material	PBT (UL94 V-0)
Contact material	CuSn (bronze)
Contact plating	Au (gold)
REACH SVHC	CAS 7439-92-1 (Lead)
SCIP number	SCIP-number not available

Classifications

eCl@ss 11.1	27-44-01-09
ETIM 7.0	EC003569

Assembly instructions / Panel cut-out

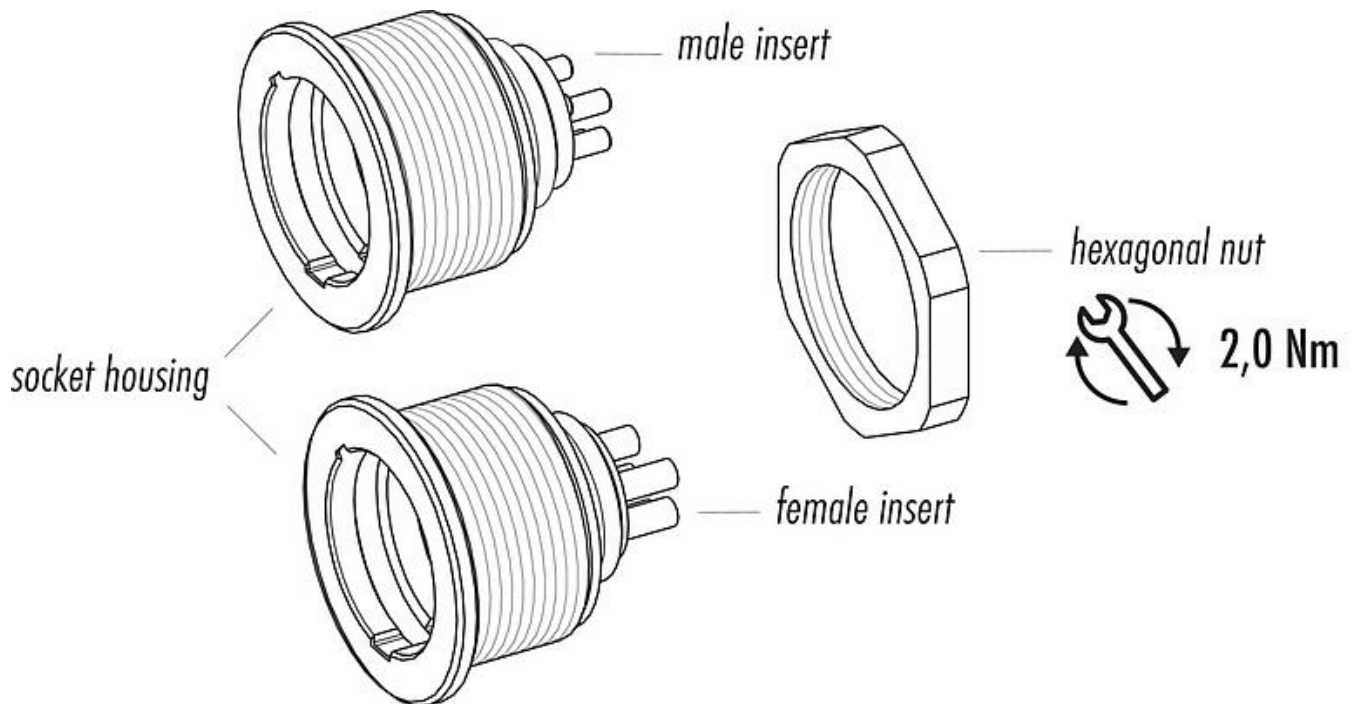


Product data sheet
Miniature connectors

Product description **Push-Pull Female panel mount connector, Contacts: 12, shieldable, solder, IP67**

Area **Push-Pull series 440**
Part no. **09 4836 00 12**

Component part drawing



Product data sheet

Miniature connectors



Product description	Push-Pull Female panel mount connector, Contacts: 12, shieldable, solder, IP67
Area	Push-Pull series 440
Part no.	09 4836 00 12

Security notices

The connectors have been developed for applications in plant engineering, control and electrical equipment construction. The user is responsible for checking whether the connectors can also be used in other areas of application.

Plug connectors with enclosure protection IP67 and IP68 are not suitable for use under water. When used outdoors, the plug connectors must be protected separately against corrosion. For further information on the IP protection classes, please refer to the "Technical Information" download centre.