

Product data sheet

Miniature connectors

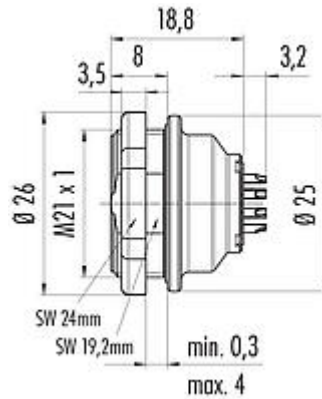


Product description	Push-Pull Female panel mount connector, Contacts: 19, shieldable, solder, IP67, front mounting
Area	Push-Pull series 440
Part no.	09 4844 81 19

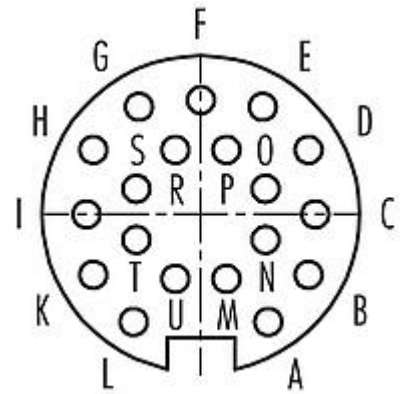
Illustration



Scale drawing



Contact arrangement (Plug-in side)



You can find the component part drawing and assembly instructions on the next page.

Technical data

General features

Part no.	09 4844 81 19
Connector design	Female panel mount connector
Version	female straight
Connector locking system	Push-Pull
Termination	solder
Degree of protection	IP67
Cross-sectional area	0.25 mm ² / AWG 24
Temperature range from/to	-40 °C / 85 °C
Tightening torque screw nut	2.0 Nm
Mechanical operation	> 1000 Mating cycles
Weight (g)	20.74
Customs tariff number	85369010

Electrical parameters

Rated voltage	60 V
Rated impulse voltage	500 V
Rated current (40 °C)	3,0 A
Insulation resistance	≥ 10 ¹⁰ Ω
Pollution degree	1
Overvoltage category	I
Insulating material group	III
EMC compliance	shieldable

Product data sheet

Miniature connectors

Product description Push-Pull Female panel mount connector, Contacts: 19, shieldable, solder, IP67, front mounting

Area Part no. Push-Pull series 440
09 4844 81 19

Shield connection Shield on the housing

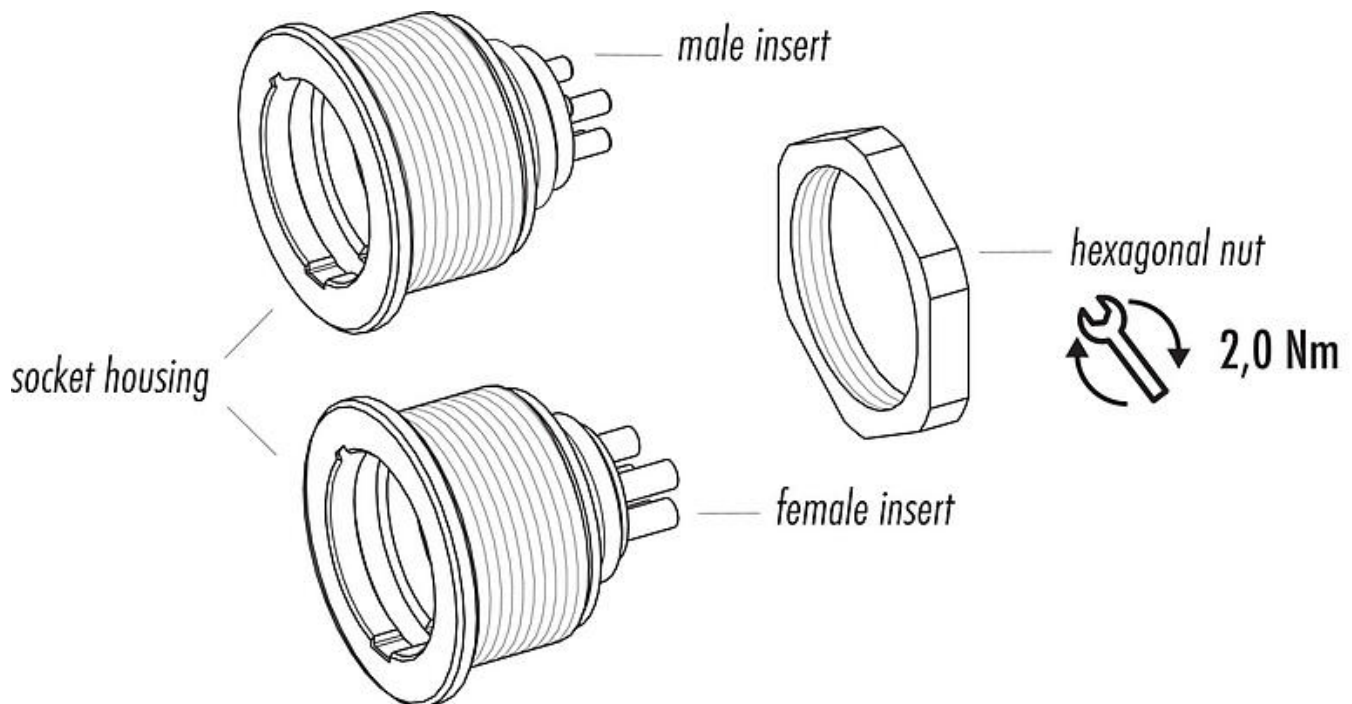
Material

Contact body material	PBT (UL94 V-0)
Contact material	CuSn (bronze)
Contact plating	Au (gold)
REACH SVHC	CAS 7439-92-1 (Lead)
SCIP number	SCIP-number not available

Classifications

eCl@ss 11.1	27-44-01-09
ETIM 7.0	EC003569

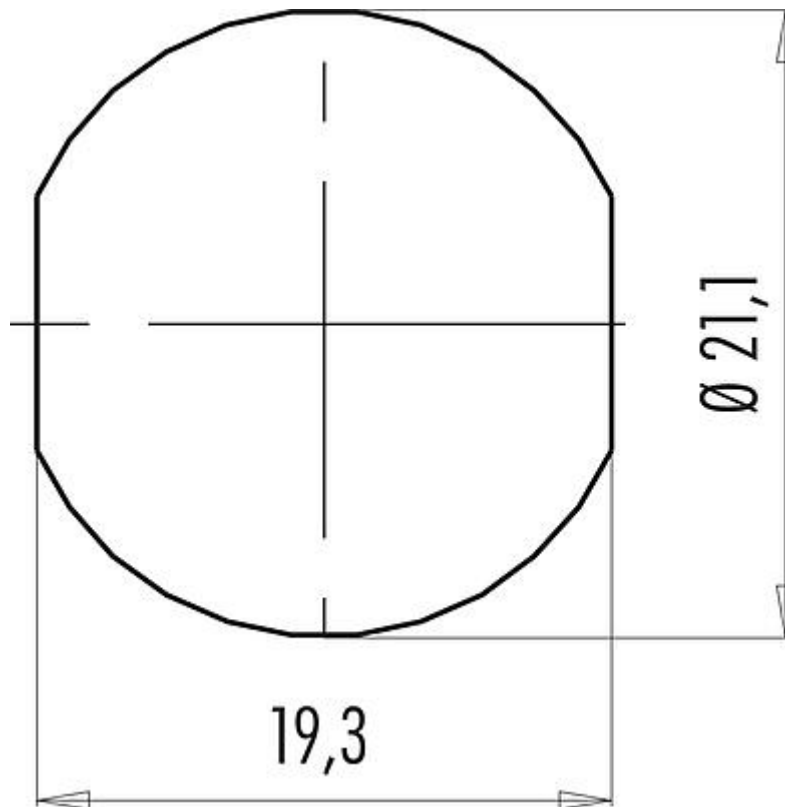
Component part drawing



Product data sheet
Miniature connectors

Product description	Push-Pull Female panel mount connector, Contacts: 19, shieldable, solder, IP67, front mounting
Area	Push-Pull series 440
Part no.	09 4844 81 19

Assembly instructions / Panel cut-out



Product data sheet

Miniature connectors



Product description	Push-Pull Female panel mount connector, Contacts: 19, shieldable, solder, IP67, front mounting
Area	Push-Pull series 440
Part no.	09 4844 81 19

Security notices

The connectors have been developed for applications in plant engineering, control and electrical equipment construction. The user is responsible for checking whether the connectors can also be used in other areas of application.

Plug connectors with enclosure protection IP67 and IP68 are not suitable for use under water. When used outdoors, the plug connectors must be protected separately against corrosion. For further information on the IP protection classes, please refer to the "Technical Information" download centre.