

# Product data sheet

## Subminiature connectors

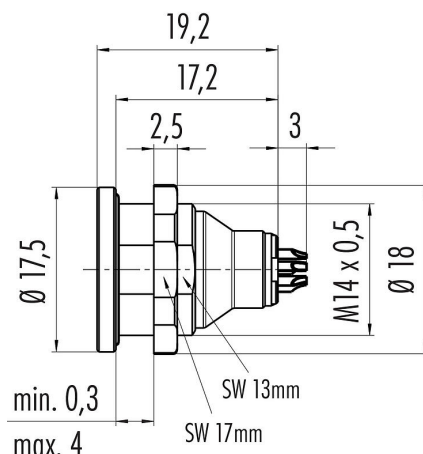


Product description	Push-Pull female panel mount connector, Contacts: 5, shieldable, solder, IP67
Area	Push-Pull series 430
Part no.	09 4916 00 05

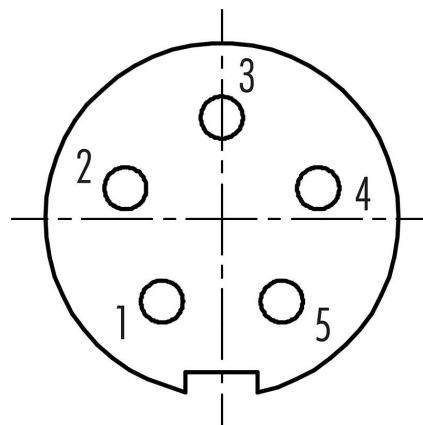
### Illustration



### Scale drawing



### Contact arrangement (Plug-in side)



You can find the component part drawing and assembly instructions on the next page.

### Technical data

#### General features

Part no.	09 4916 00 05
Connector design	female panel mount connector
Version	connector female straight
Connector locking system	Push-Pull
Termination	solder
Degree of protection	IP67
Cross-sectional area	0.25 mm <sup>2</sup> / AWG 24
Temperature range from/to	-40 °C / 85 °C
Mechanical operation	> 500 Mating cycles
Weight (g)	10.14
Customs tariff number	85369010

#### Electrical parameters

Rated voltage	125 V
Rated impulse voltage	1500 V
Rated current (40 °C)	3 A
Pollution degree	2
Overvoltage category	I
Insulating material group	II
EMC compliance	shieldable

# Product data sheet

## Subminiature connectors

Product description	Push-Pull female panel mount connector, Contacts: 5, shieldable, solder, IP67
Area	Push-Pull series 430
Part no.	09 4916 00 05

Shield connection

Shielding on the housing

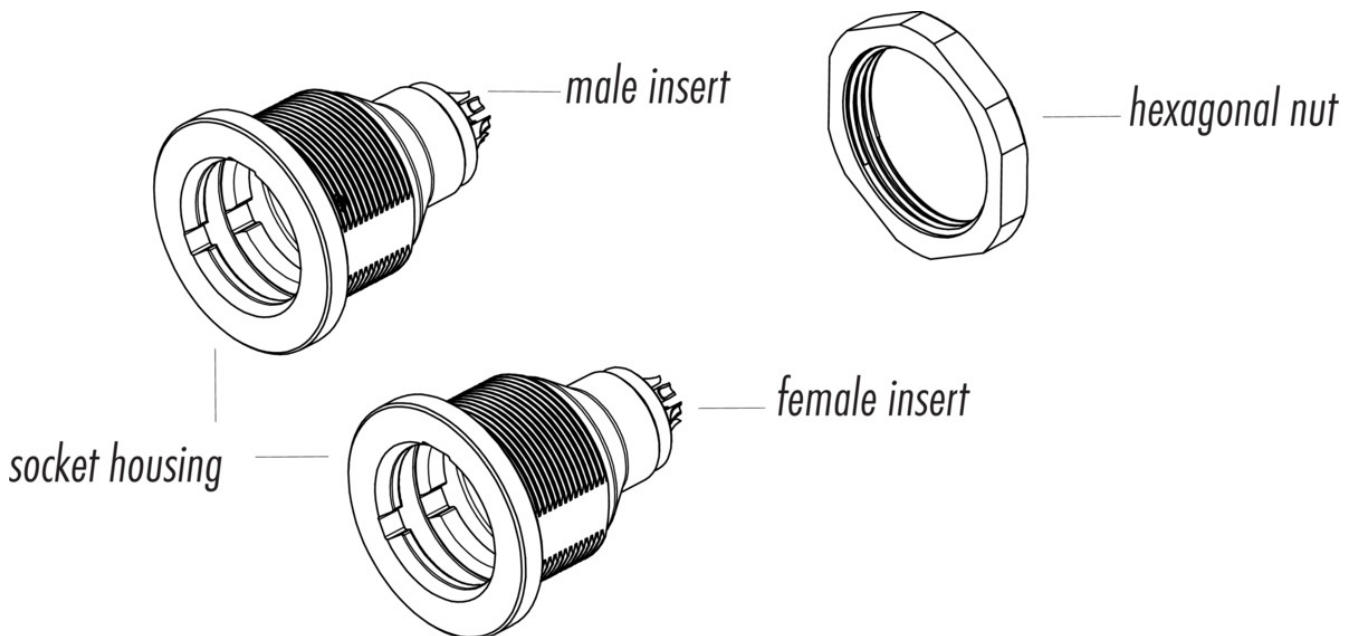
### Material

Contact body material	PUR/PA
Contact material	CuSn (bronze)
Contact plating	Au (gold)
REACH SVHC	CAS 7439-92-1 (Lead)
SCIP number	SCIP-number not available

### Classifications

eCl@ss 11.1	27-44-01-09
ETIM 7.0	EC003569

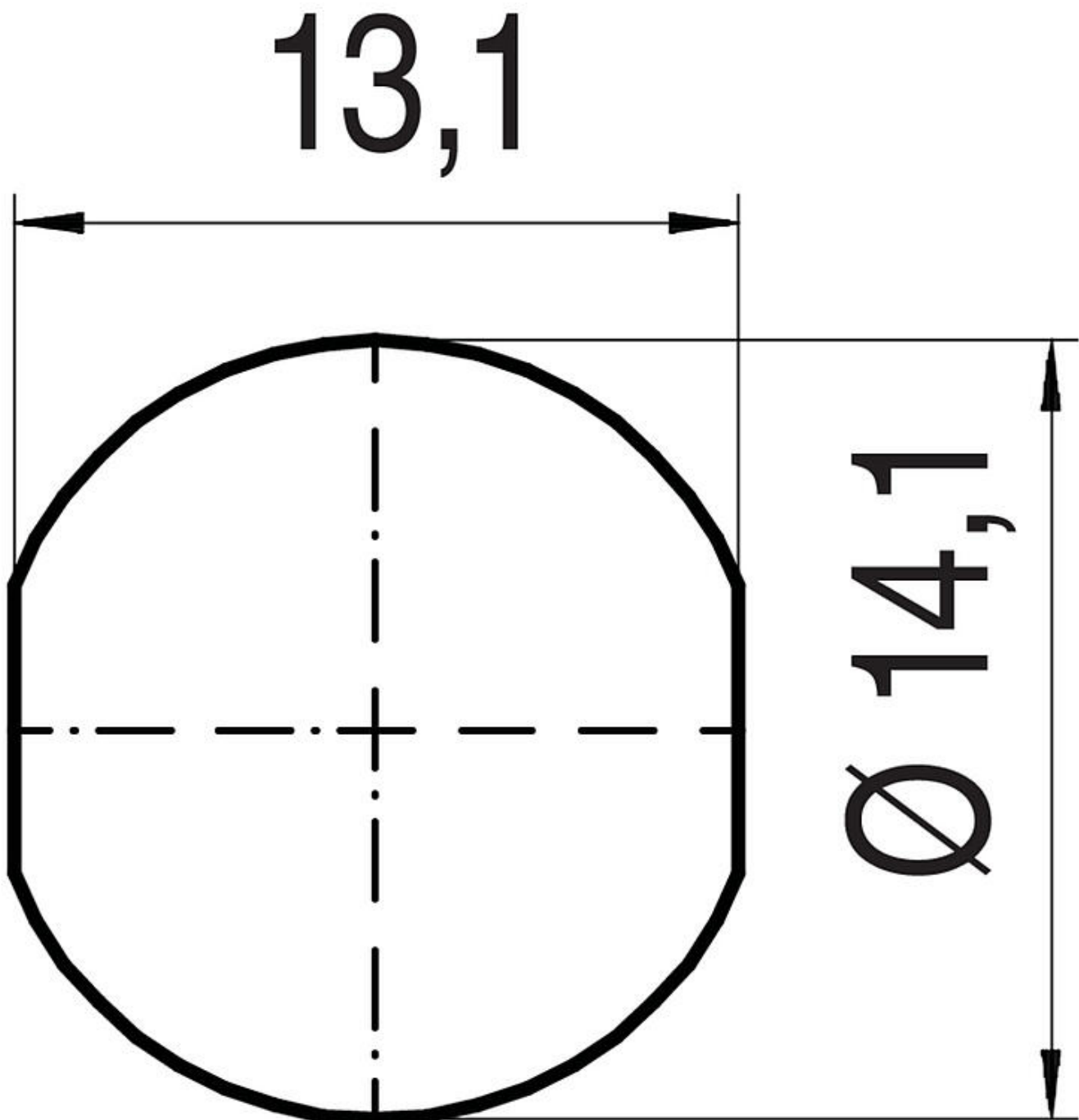
### Component part drawing



Product description Push-Pull female panel mount connector, Contacts: 5, shieldable, solder, IP67

Area Part no. Push-Pull series 430  
09 4916 00 05

Assembly instructions / Panel cut-out



Product description	<b>Push-Pull female panel mount connector, Contacts: 5, shieldable, solder, IP67</b>
Area Part no.	<b>Push-Pull series 430 09 4916 00 05</b>

### **Security notices**

The connector must not be plugged or unplugged under load. Non-observance and improper use can result in personal injury.

The connectors have been developed for applications in plant engineering, control and electrical equipment construction. The user is responsible for checking whether the connectors can also be used in other areas of application.

Connectors which are used in circuits with voltages dangerous to the touch may only be installed and used by, or under the supervision of, persons with electrical engineering training, taking into account the applicable regulations and standards.

Plug connectors with enclosure protection IP 67 and IP 68 are not suitable for use under water. When used outdoors, the plug connectors must be protected separately against corrosion. For further information on the IP protection classes, please refer to the "Technical Information" download centre.