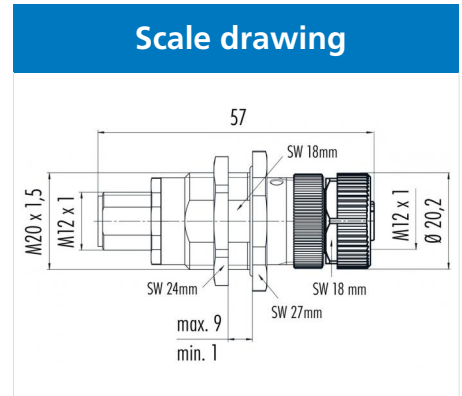
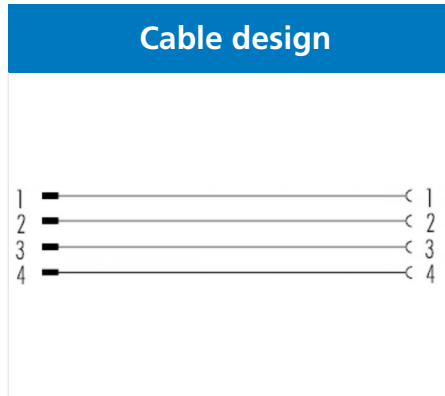


Product description **M12-A adapter, Contacts: 4, shielded, pluggable, IP67, M12x1.0, for the switch cabinet**

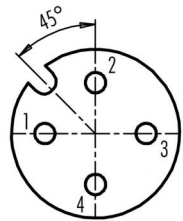
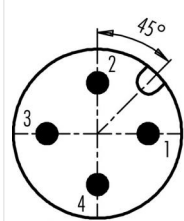
Area **M12-A series 765**
Order number **09 5240 00 04**



Contact arrangement (Plug-in side)

Stifteinsatz M12
Male insert M12

Buchseinsatz M12
Female insert M12



You can find the assembly instructions on the next page.

Technical data

General features

Order number	09 5240 00 04
Connector design	adapter
Version	adapter
Connector locking system	screw
Termination	pluggable
Degree of protection	IP67
Temperature range from/to	-25 °C / 85 °C
Mechanical operation	> 100 Mating cycles
Weight (g)	62.255
Customs tariff number	85369010

Electrical parameters

Rated voltage	250 V
Rated impulse voltage	2500 V
Rated current (40 °C)	4 A
Pollution degree	3
Overvoltage category	II
Insulating material group	II
EMC compliance	shielded
Shield connection	Shielding on the housing

Material

Contact body material	PA
Contact material	CuZn (brass)
Contact plating	Au (gold)
Locking material	Zinc die-cast nickel-plated
REACH SVHC	CAS 7439-92-1 (Lead)

Classifications

eCl@ss 11.1	27-44-01-09
ETIM 7.0	EC003569

Declarations of conformity

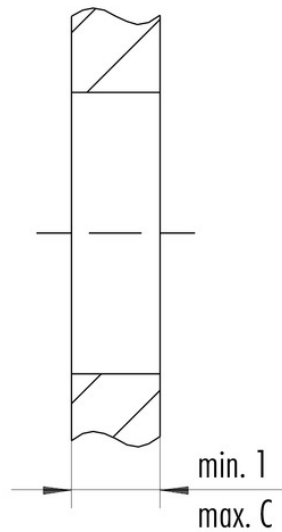
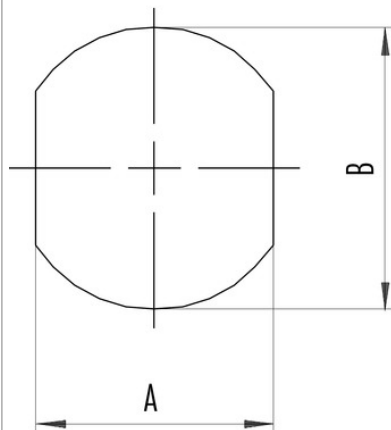
Low Voltage Directive	2014/35/EU (EN 60204-1:2018;EN 60529:1991)
-----------------------	--

Product description M12-A adapter, Contacts: 4, shielded, pluggable, IP67, M12x1.0, for the switch cabinet

Area M12-A series 765
Order number 09 5240 00 04

Assembly instructions / Panel cut-out

Schaltschrankdurchführung mit Durchgangsbohrung



	A	B	C
M8	13,5	16,1	12
M12	18,2	20,1	9

Product description	M12-A adapter, Contacts: 4, shielded, pluggable, IP67, M12x1.0, for the switch cabinet
Area	M12-A series 765
Order number	09 5240 00 04

Security notices

The connector must not be plugged or unplugged under load. Non-observance and improper use can result in personal injury.

The connectors have been developed for applications in plant engineering, control and electrical equipment construction. The user is responsible for checking whether the connectors can also be used in other areas of application.

Plug connectors with enclosure protection IP 67 and IP 68 are not suitable for use under water. When used outdoors, the plug connectors must be protected separately against corrosion. For further information on the IP protection classes, please refer to the "Technical Information" download centre. To lock the cable connector with the device connector, the threaded ring is tightened "hand-tight" (approx. 60 cNm).