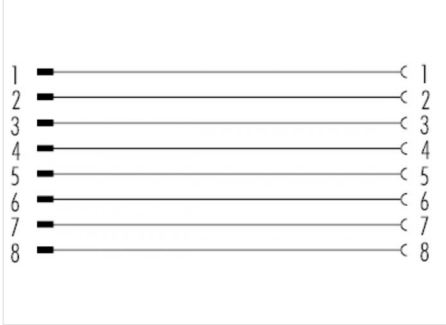


Product description	M12-A adapter, Contacts: 8, shielded, pluggable, IP67, M12x1.0, for the switch cabinet
Area	M12-A series 765
Order number	09 5244 00 08

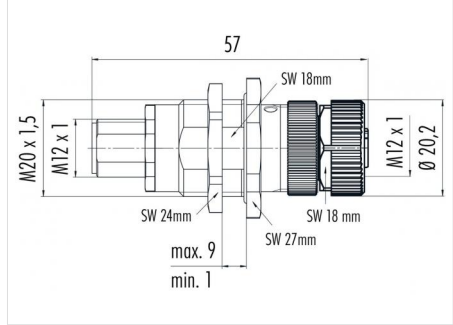
**Illustration**



**Cable design**

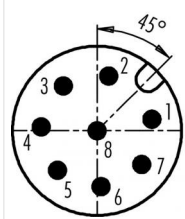


**Scale drawing**

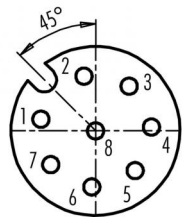


**Contact arrangement (Plug-in side)**

Stifteinsatz M12  
Male insert M12



Buchseinsatz M12  
Female insert M12



You can find the assembly instructions on the next page.

**Technical data**

**General features**

Order number	09 5244 00 08
Connector design	adapter
Version	adapter
Connector locking system	screw
Termination	pluggable
Degree of protection	IP67
Temperature range from/to	-25 °C / 85 °C
Mechanical operation	> 100 Mating cycles
Weight (g)	64.344
Customs tariff number	85369010

**Electrical parameters**

Rated voltage	30 V
Rated impulse voltage	800 V
Rated current (40 °C)	2 A
Pollution degree	3
Overvoltage category	II
Insulating material group	II
EMC compliance	shielded
Shield connection	Shielding on the housing

**Material**

Contact body material	PA
Contact material	Pin: CuZn (brass) / Socket: CuSn (bronze)
Contact plating	Au (gold)
Locking material	Zinc die-cast nickel-plated
REACH SVHC	CAS 7439-92-1 (Lead)

**Classifications**

eCl@ss 11.1	27-44-01-09
ETIM 7.0	EC003569

**Declarations of conformity**

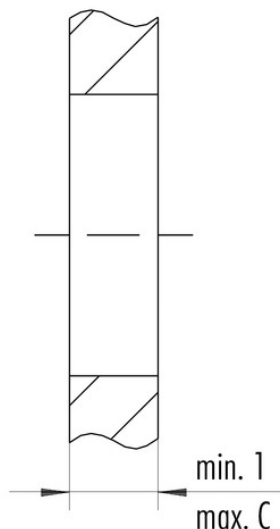
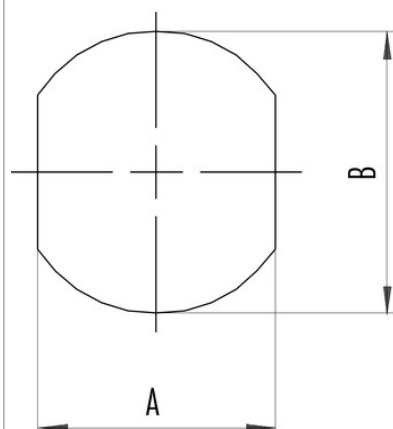
RoHS Directive	2011/65/EU (EN 50581:2012)
----------------	----------------------------

Product description M12-A adapter, Contacts: 8, shielded, pluggable, IP67, M12x1.0, for the switch cabinet

Area M12-A series 765  
Order number 09 5244 00 08

Assembly instructions / Panel cut-out

Schaltschrankdurchführung mit Durchgangsbohrung



	A	B	C
M8	13,5	16,1	12
M12	18,2	20,1	9

Product description      **M12-A adapter, Contacts: 8, shielded, pluggable, IP67, M12x1.0, for the switch cabinet**

Area                              **M12-A series 765**  
Order number                **09 5244 00 08**

## Security notices

The connectors have been developed for applications in plant engineering, control and electrical equipment construction. The user is responsible for checking whether the connectors can also be used in other areas of application.

Plug connectors with enclosure protection IP 67 and IP 68 are not suitable for use under water. When used outdoors, the plug connectors must be protected separately against corrosion. For further information on the IP protection classes, please refer to the "Technical Information" download centre. To lock the cable connector with the device connector, the threaded ring is tightened "hand-tight" (approx. 60 cNm).