

# Product data sheet

## Subminiature connectors

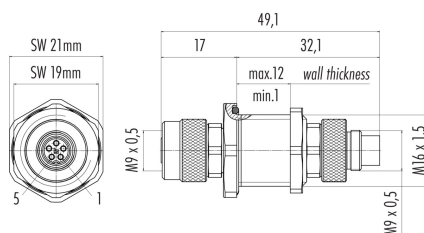


Product description	M9 IP67 adapter, Contacts: 5, shieldable, solder, IP67, for the switch cabinet
Area	M9 IP67 series 712
Order number	09 9618 100 05

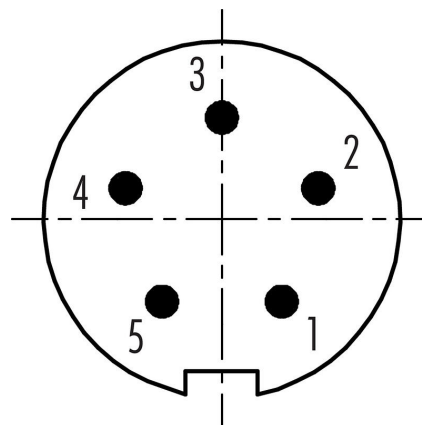
### Illustration



### Scale drawing



### Contact arrangement (Plug-in side)



You can find the assembly instructions on the next page.

### Technical data

#### General features

Order number	09 9618 100 05
Connector design	adapter
Version	adapter
Connector locking system	screw
Termination	solder
Degree of protection	IP67
Temperature range from/to	-40 °C / 85 °C
Mechanical operation	> 500 Mating cycles
Weight (g)	43.434
Customs tariff number	85369010

#### Electrical parameters

Rated voltage	125 V
Rated impulse voltage	1500 V
Rated current (40 °C)	3 A
Pollution degree	1
Overvoltage category	II
Insulating material group	III
EMC compliance	shieldable
Shield connection	shield ring

# Product data sheet

## Subminiature connectors



Product description	<b>M9 IP67 adapter, Contacts: 5, shieldable, solder, IP67, for the switch cabinet</b>
Area	<b>M9 IP67 series 712</b>
Order number	<b>09 9618 100 05</b>

### Material

Housing material	CuZn (Brass nickel plated)
Contact body material	PBT/PA
Contact material	CuZn (brass)
Contact plating	Au (gold)
REACH SVHC	CAS 7439-92-1 (Lead)

### Classifications

eCl@ss 11.1	27-44-01-09
ETIM 7.0	EC003569

### Declarations of conformity

Low Voltage Directive	2014/35/EU (EN 60204-1:2018;EN 60529:1991)
RoHS Directive	2011/65/EU (EN 50581:2012)

**Product data sheet**  
**Subminiature connectors**



Product description	<b>M9 IP67 adapter, Contacts: 5, shieldable, solder, IP67, for the switch cabinet</b>
Area	<b>M9 IP67 series 712</b>
Order number	<b>09 9618 100 05</b>

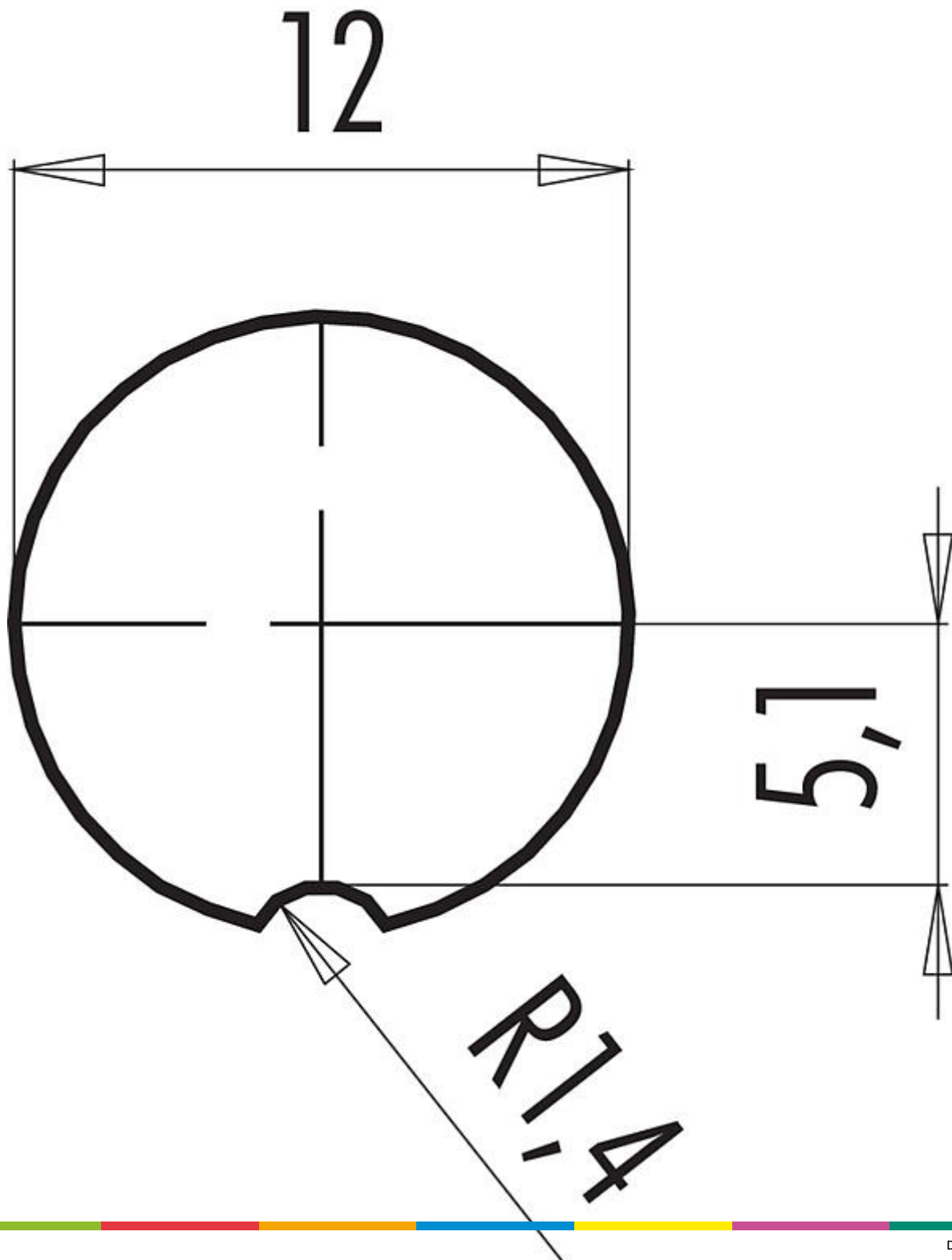
**Product data sheet**  
**Subminiature connectors**



Product description	<b>M9 IP67 adapter, Contacts: 5, shieldable, solder, IP67, for the switch cabinet</b>
Area	<b>M9 IP67 series 712</b>
Order number	<b>09 9618 100 05</b>

Product description	M9 IP67 adapter, Contacts: 5, shieldable, solder, IP67, for the switch cabinet
Area	M9 IP67 series 712
Order number	09 9618 100 05

Assembly instructions / Panel cut-out



Product description	<b>M9 IP67 adapter, Contacts: 5, shieldable, solder, IP67, for the switch cabinet</b>
Area	<b>M9 IP67 series 712</b>
Order number	<b>09 9618 100 05</b>

### **Security notices**

The connector must not be plugged or unplugged under load. Non-observance and improper use can result in personal injury.

The connectors have been developed for applications in plant engineering, control and electrical equipment construction. The user is responsible for checking whether the connectors can also be used in other areas of application.

Plug connectors with enclosure protection IP 67 and IP 68 are not suitable for use under water. When used outdoors, the plug connectors must be protected separately against corrosion. For further information on the IP protection classes, please refer to the "Technical Information" download centre.

To lock the cable connector with the device connector, the threaded ring is tightened "hand-tight" (approx. 50 cNm).