

Product data sheet

Automation technology - solenoid valve connectors

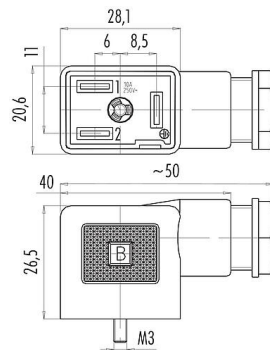


Product description	Size B Female power connector, Contacts: 2+PE, 6.0-8.0 mm, unshielded, screw clamp, IP40 without seal, Circuit E6
Area	Size B series 220
Part no.	43 1834 135 03

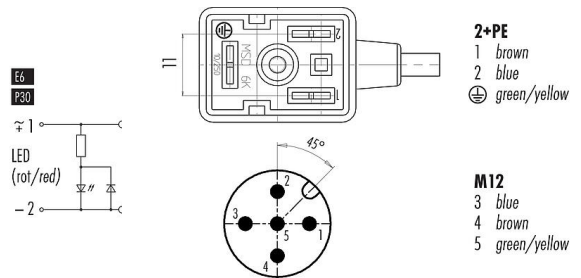
Illustration



Scale drawing



Contact arrangement (Plug-in side)



You can find the component part drawing on the next page.

Technical data

General features

Part no.	43 1834 135 03
Connector design	Female power connector
Version	Connector socket straight
Connector locking system	Central bolt
Termination	screw clamp
Degree of protection	IP40 without seal IP65 with seal, see accessories
Cross-sectional area	0.34-1.50 mm ²
Cable outlet	6.0-8.0 mm
Temperature range from/to	-25 °C / 85 °C
Mechanical operation	> 50 Mating cycles
Additional information	Circuit E6
Weight (g)	19.20
Customs tariff number	85369010

Electrical parameters

Rated voltage	24 V
Rated impulse voltage	800 V
Rated current (40 °C)	10.0 A
Pollution degree	3
Overvoltage category	III
Insulating material group	III
EMC compliance	unshielded
Wiring	E6

Product data sheet

Automation technology - solenoid valve connectors

Product description	Size B Female power connector, Contacts: 2+PE, 6.0-8.0 mm, unshielded, screw clamp, IP40 without seal, Circuit E6
Area	Size B series 220
Part no.	43 1834 135 03

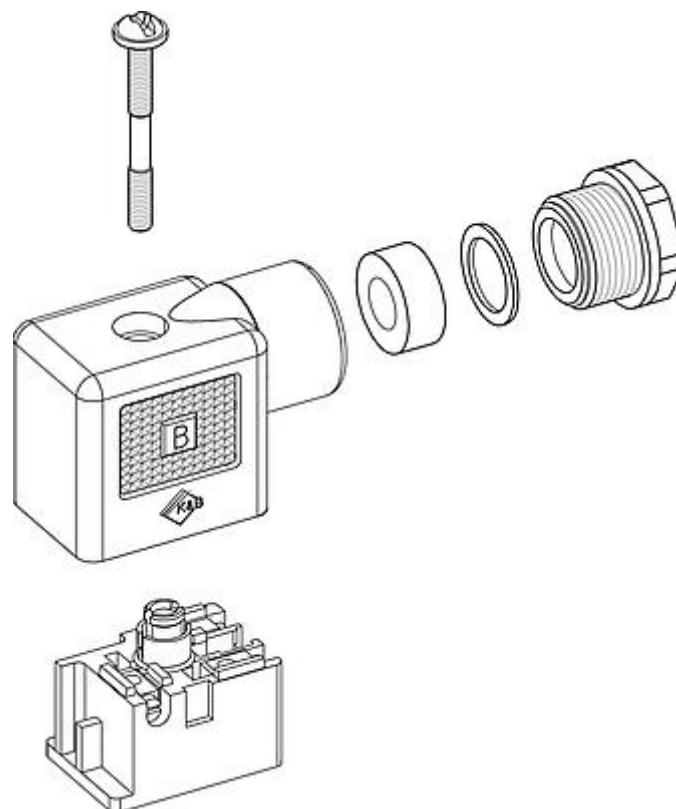
Material

Contact body material	PA (UL94 HB)
Contact material	CuSn (bronze)
Contact plating	Ni (nickel)
REACH SVHC	CAS 7439-92-1 (Lead)
SCIP number	a0f5ccb5-a4a8-473e-91d2-5ecd1fc496b2

Classifications

eClass 11.1	27-06-03-11
ETIM 7.0	EC001855

Component part drawing



Product data sheet

Automation technology - solenoid valve connectors



Product description	Size B Female power connector, Contacts: 2+PE, 6.0-8.0 mm, unshielded, screw clamp, IP40 without seal, Circuit E6
Area	Size B series 220
Part no.	43 1834 135 03

Security notices

The connectors have been developed for applications in plant engineering, control and electrical equipment construction. The user is responsible for checking whether the connectors can also be used in other areas of application.

Plug connectors with enclosure protection IP67 and IP68 are not suitable for use under water. When used outdoors, the plug connectors must be protected separately against corrosion. For further information on the IP protection classes, please refer to the "Technical Information" download centre.

The user must take appropriate safety precautions to ensure that the connector cannot be accidentally disconnected. In addition, the user must ensure that the cable is suitably secured.