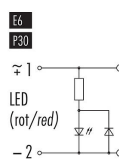
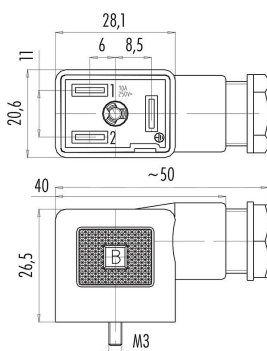


Product description	Size B (industry) female connector (panel mount), Contacts: 2+PE, 6.0 - 8.0 mm, unshielded, screw clamp, IP40 without seal, VDE, ESTI+
Area	Size B (industry) series 220
Part no.	43 1834 135 03

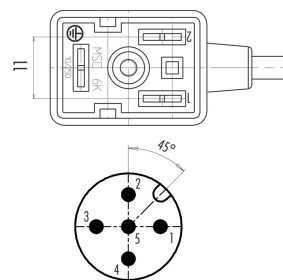
## Illustration



## Scale drawing



## Contact arrangement (Plug-in side)



- 2+PE**
- 1 brown
  - 2 blue
  - ⊕ green/yellow
- M12**
- 3 blue
  - 4 brown
  - 5 green/yellow

You can find the component part drawing on the next page.

## Technical data

### General features

Part no.	43 1834 135 03
Connector design	female connector (panel mount)
Version	connector female straight
Connector locking system	central bolt
Termination	screw clamp
Degree of protection	IP40 without seal IP65 with seal, see accessories
Cross-sectional area	min. 0.34 - max. 1.50 mm <sup>2</sup>
Cable outlet	6.0 - 8.0 mm
Temperature range from/to	-25 °C / 85 °C
Mechanical operation	> 50 Mating cycles
Weight (g)	19.20
Customs tariff number	85369010

### Electrical parameters

Rated voltage	24 V
Rated impulse voltage	800 V
Rated current (40 °C)	10 A
Pollution degree	3
Overvoltage category	III
Insulating material group	III
EMC compliance	unshielded
Wiring	E6

Product description	Size B (industry) female connector (panel mount), Contacts: 2+PE, 6.0 - 8.0 mm, unshielded, screw clamp, IP40 without seal, VDE, ESTI+
Area Part no.	Size B (industry) series 220 43 1834 135 03

## Material

Contact body material	PA (UL94 HB)
Contact material	CuSn (bronze)
Contact plating	Ni (nickel)
REACH SVHC	CAS 7439-92-1 (Lead)
SCIP number	a0f5ccb5-a4a8-473e-91d2-5ecd1fc496b2

## Authorization/approvals

Approvals	VDE, ESTI+
-----------	------------

## Classifications

eCl@ss 11.1	27-06-03-11
ETIM 7.0	EC001855

# Automation technology - solenoid valve connectors

Product description	Size B (industry) female connector (panel mount), Contacts: 2+PE, 6.0 - 8.0 mm, unshielded, screw clamp, IP40 without seal, VDE, ESTI+
Area	Size B (industry) series 220
Part no.	43 1834 135 03

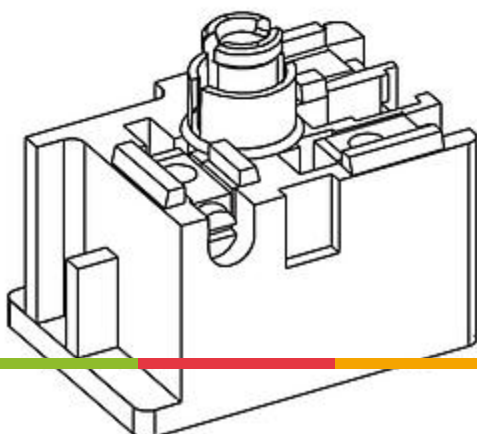
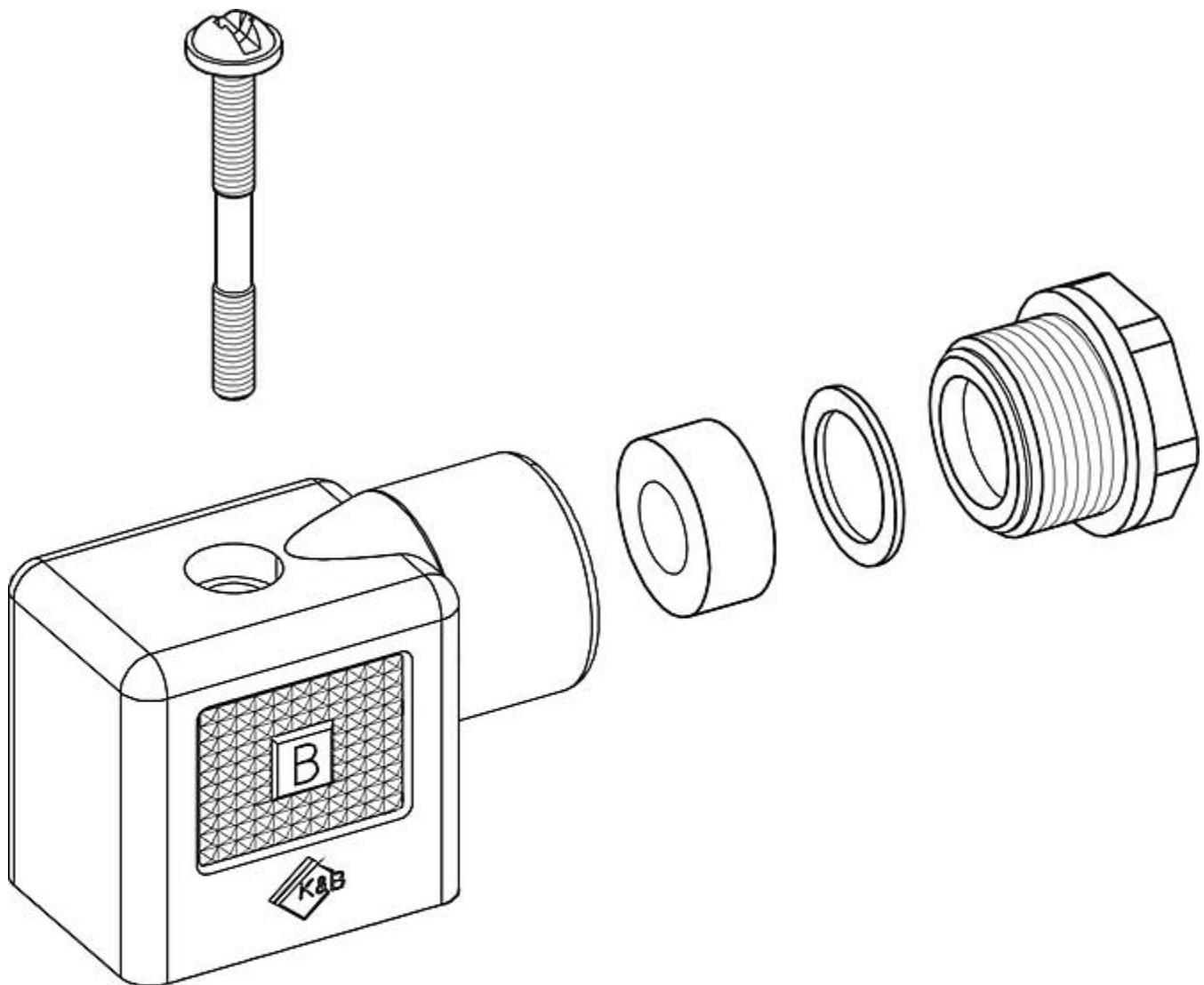
# Automation technology - solenoid valve connectors

Product description	Size B (industry) female connector (panel mount), Contacts: 2+PE, 6.0 - 8.0 mm, unshielded, screw clamp, IP40 without seal, VDE, ESTI+
Area	Size B (industry) series 220
Part no.	43 1834 135 03

Product description      Size B (industry) female connector (panel mount), Contacts: 2+PE, 6.0 - 8.0 mm, unshielded, screw clamp, IP40 without seal, VDE, ESTI+

Area                              Size B (industry) series 220  
Part no.                        43 1834 135 03

## Component part drawing



Product description	Size B (industry) female connector (panel mount), Contacts: 2+PE, 6.0 - 8.0 mm, unshielded, screw clamp, IP40 without seal, VDE, ESTI+
Area	Size B (industry) series 220
Part no.	43 1834 135 03

### Security notices

The connectors have been developed for applications in plant engineering, control and electrical equipment construction. The user is responsible for checking whether the connectors can also be used in other areas of application.

Plug connectors with enclosure protection IP 67 and IP 68 are not suitable for use under water. When used outdoors, the plug connectors must be protected separately against corrosion. For further information on the IP protection classes, please refer to the "Technical Information" download centre.

The user must take appropriate safety precautions to ensure that the connector cannot be accidentally disconnected. In addition, the user must ensure that the cable is suitably secured.