

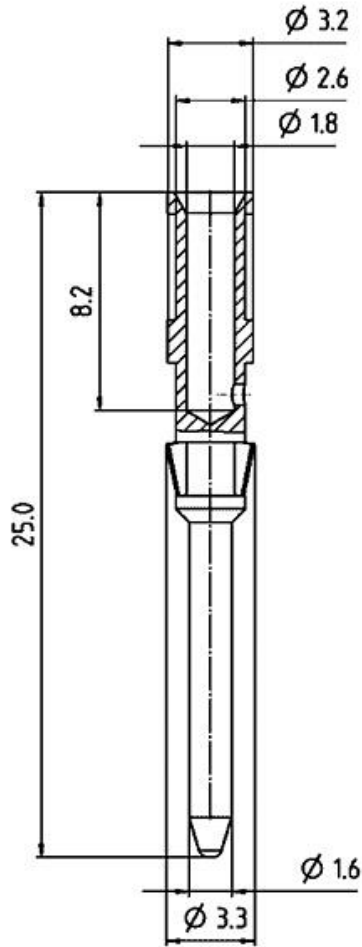
Product description

Area **series 692/693/696**
 Part no. **61 0894 139**

Illustration



Scale drawing



Technical data

General features

Part no.	61 0894 139
Version	Pin contact
Cross-sectional area	1.50 mm ²
Packaging type	Bag (100 pcs.)
Weight (g)	0.64
Customs tariff number	85369095

Product description

Area **series 692/693/696**
Part no. **61 0894 139**

Material

Contact material	CuZn (brass)
Contact plating	Ag (silver)
REACH SVHC	CAS 7439-92-1 (Lead)
SCIP number	SCIP-number not available

Classifications

eCl@ss 11.1	27-46-04-03
-------------	-------------