

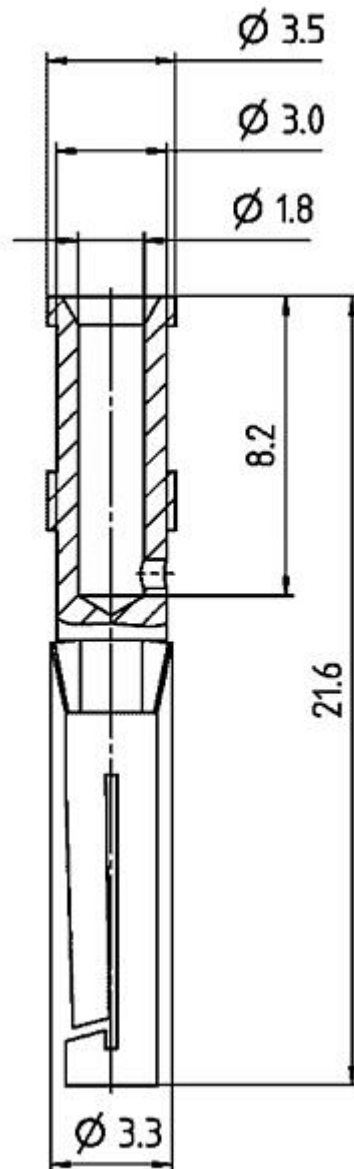
Product description

Area series 692/693/696  
Part no. 61 0899 139

Illustration



Scale drawing



Technical data

## Product description

Area **series 692/693/696**  
Part no. **61 0899 139**

## General features

Part no.	<b>61 0899 139</b>
Version	Socket contact
Cross-sectional area	1.50 mm <sup>2</sup>
Packaging type	Bag (100 pcs.)
Weight (g)	0.64
Customs tariff number	85369095

## Material

Contact material	CuZn (brass)
Contact plating	Ag (silver)
REACH SVHC	CAS 7439-92-1 (Lead)
SCIP number	SCIP-number not available

## Classifications

eCl@ss 11.1	27-46-04-03
-------------	-------------