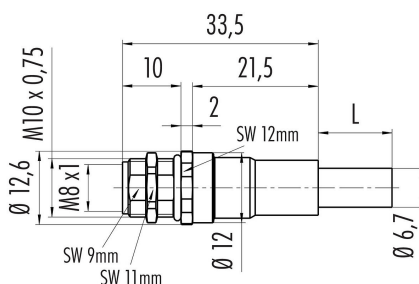


| | |
|---------------------|---|
| Product description | M8 female panel mount connector, Contacts: 4, shielded, cable, IP67, Ethernet, PUR green, 4 x AWG22 |
| Area | M8 series 718 |
| Part no. | 70 3420 005 04 |

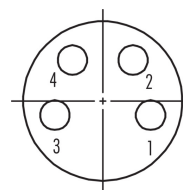
Illustration



Scale drawing



Contact arrangement (Plug-in side)



- 1 yellow
- 2 white
- 3 blue
- 4 orange

Shielding sleeve = shield

You can find the assembly instructions on the next page.

Technical data

General features

| | |
|---------------------------|-------------------------------|
| Part no. | 70 3420 005 04 |
| Connector design | female panel mount connector |
| Cable length | 0,5 m |
| Version | connector female straight |
| Connector locking system | screw |
| Termination | cable |
| Degree of protection | IP67 |
| Cross-sectional area | 0.34 mm ² / AWG 22 |
| Temperature range from/to | -40 °C / 80 °C |
| Mechanical operation | > 100 Mating cycles |
| Weight (g) | 43.00 |
| Customs tariff number | 85444290 |

Electrical parameters

| | |
|---------------------------|--------------------------|
| Rated voltage | 30 V |
| Rated impulse voltage | 800 V |
| Rated current (40 °C) | 4 A |
| Pollution degree | 3 |
| Overvoltage category | II |
| Insulating material group | II |
| EMC compliance | shielded |
| Shield connection | Shielding on the housing |

Product data sheet

Automation technology - sensors and actuators



| | |
|---------------------|--|
| Product description | M8 female panel mount connector, Contacts: 4, shielded, cable, IP67, Ethernet, PUR green, 4 x AWG22 |
| Area | M8 series 718 |
| Part no. | 70 3420 005 04 |

Material

| | |
|-----------------------|--------------------------------------|
| Housing material | Zinc die-cast nickel-plated |
| Contact body material | PA |
| Contact material | CuSn (bronze) |
| Contact plating | Au (gold) |
| REACH SVHC | CAS 7439-92-1 (Lead) |
| SCIP number | e72aa14b-9ca8-40ce-a4d9-26ea26181f06 |

Classifications

| | |
|-------------|-------------|
| eCl@ss 11.1 | 27-06-03-11 |
| ETIM 7.0 | EC003570 |

Cable data - Structure of the cable

| | |
|------------------------|-------------------|
| Cable type | Ethernet |
| Cross section | 4 x AWG22 |
| Sheath material | PUR |
| Single-lead insulation | Polyolefin |
| Single-lead structure | 7x0,34 (AWG22) mm |
| Cable color | green |

Cable data - Mechanical properties

| | |
|------------------------------|--|
| Bending radius, fixed cable | $\geq 5 \times \varnothing$ |
| Bending radius, moving cable | $\geq 15 \times \varnothing$ |
| Bending cycles | $>10 \times \varnothing$ (2 million) |
| Permitted acceleration | 2 m/s ² |
| Travel distance, horizontal | bei 5 m/s ² -> 5 m |
| Travel distance, vertical | bei 5 m/s ² -> 5 m |
| Travel speed | ≤ 200 m/min (5 m horizontal distance) |

Cable data - Thermal properties

| | |
|---|----------------|
| Temperature range cable in move from/to | -20 °C / 60 °C |
| Temperature range cable fixed from/to | -40 °C / 80 °C |

Cable data - Other features

| | |
|--------------|-----|
| Halogen free | Yes |
|--------------|-----|

Product data sheet

Automation technology - sensors and actuators



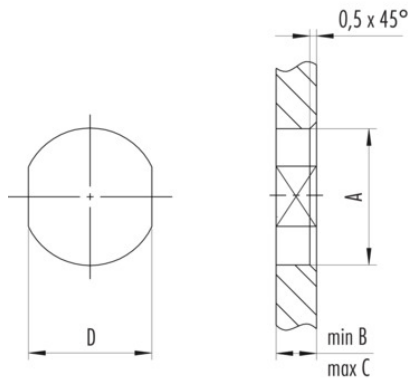
Product description **M8 female panel mount connector, Contacts: 4, shielded, cable, IP67, Ethernet, PUR green, 4 x AWG22**

Area **M8 series 718**
Part no. **70 3420 005 04**

Assembly instructions / Panel cut-out

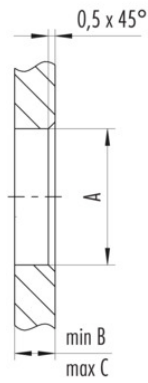
1st Installation proposal

With flats as anti-rotation device



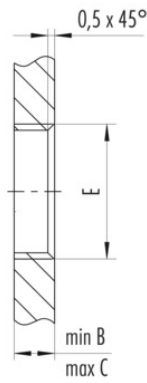
2nd Installation proposal

With bore hole



3rd Installation proposal

With thread to screw in



| thread E | A | B | C | D |
|------------|------|-----|-----|------|
| M8 x 1 | 8,1 | 2,0 | 3,5 | 7,1 |
| M10 x 0,75 | 10,1 | 2,0 | 6,5 | 9,1 |
| M12 x 1 | 12,1 | 2,5 | 4,5 | 10,0 |

Tightening torque 1 Nm

| | |
|---------------------|--|
| Product description | M8 female panel mount connector, Contacts: 4, shielded, cable, IP67, Ethernet, PUR green, 4 x AWG22 |
| Area | M8 series 718 |
| Part no. | 70 3420 005 04 |

Security notices

The connectors have been developed for applications in plant engineering, control and electrical equipment construction. The user is responsible for checking whether the connectors can also be used in other areas of application.

Plug connectors with enclosure protection IP 67 and IP 68 are not suitable for use under water. When used outdoors, the plug connectors must be protected separately against corrosion. For further information on the IP protection classes, please refer to the "Technical Information" download centre.