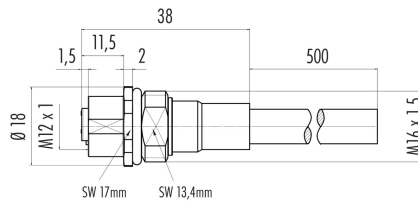


Product description	M12-A female panel mount connector, Contacts: 5, 5.3 mm, shielded, with cable assembled, IP68, M16x1.5, 5 x 0.25 mm ² , 0,5 m
Area	M12-A series 763
Part no.	70 3442 785 05

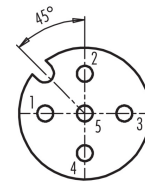
Illustration



Scale drawing



Contact arrangement (Plug-in side)



- 1 brown
- 2 white
- 3 blue
- 4 black
- 5 grey

Shielded versions: shield = housing

You can find the assembly instructions on the next page.

Technical data

General features

Part no.	70 3442 785 05
Connector design	female panel mount connector
Cable length	0,5 m
Version	female straight
Connector locking system	screw
Termination	with cable assembled
Degree of protection	IP68
Cable outlet	5.3 mm
Temperature range from/to	-25 °C / 70 °C
Mechanical operation	> 100 Mating cycles
Weight (g)	36.00
Customs tariff number	85444290

Electrical parameters

Rated voltage	60 V
Rated impulse voltage	1500 V
Rated current (40 °C)	4,0 A
Insulation resistance	> 10 ⁸ Ω
Pollution degree	3
Overvoltage category	II
Insulating material group	III
EMC compliance	shielded
Shield connection	Shielding on the housing

Product description	M12-A female panel mount connector, Contacts: 5, 5.3 mm, shielded, with cable assembled, IP68, M16x1.5, 5 x 0.25 mm ² , 0,5 m
Area	M12-A series 763
Part no.	70 3442 785 05

Material

Housing material	Brass, Zinc die-cast nickel-plated
Contact body material	PA
Contact material	CuSn (bronze)
Contact plating	Au (gold)
REACH SVHC	CAS 7439-92-1 (Lead)
SCIP number	2bde2796-9de1-4d8c-873e-85778740787f

Classifications

eCl@ss 11.1	27-06-03-11
ETIM 7.0	EC003570

Cable data - Structure of the cable

Cable diameter	4.8 mm
Cross section	5 x 0.25 mm ²
Sheath material	PUR
Single-lead insulation	PP
Single-lead structure	32 x 0.10 mm

Cable data - Mechanical properties

Bending radius, fixed cable	≥ 5 x Ø
Bending radius, moving cable	≥ 10 x Ø
Bending cycles	>2 million
Permitted acceleration	5 m/s ²
Travel speed	at 5m horizontal path. -> 200 m / min

Cable data - Thermal properties

Temperature range cable in move from/to	-25 °C / 90 °C
Temperature range cable fixed from/to	-50 °C / 90 °C

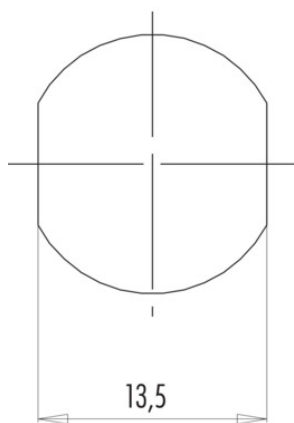
Cable data - Other features

Halogen free	Yes
--------------	-----

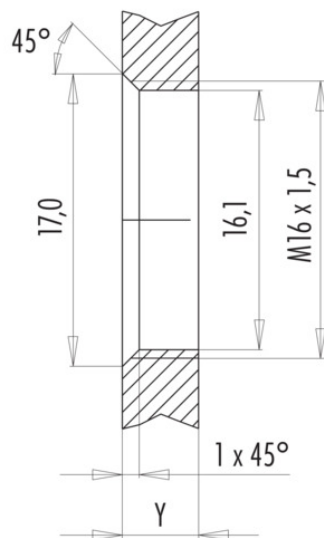
Product description	M12-A female panel mount connector, Contacts: 5, 5.3 mm, shielded, with cable assembled, IP68, M16x1.5, 5 x 0.25 mm ² , 0,5 m
Area	M12-A series 763
Part no.	70 3442 785 05

Assembly instructions / Panel cut-out

With flats as anti-rotation device



With bore hole



Installation direction: o-ring sits on chamfer.

Tightening moment

Metall housing/Plastic housing 1,25 Nm

Thickness of wall Y (mm)		
Version	min (mm)	max (mm)
Fastened from rear	2	3,5
Front fastened	2	4,5
positioning possible ¹⁾	2	3,5
Screw clamp	2	3,5
Thread M12 x 1	2	3,0
Thread M14 x 1 ²⁾	³⁾ 1,5/ ⁴⁾ 2	6,5

Notes

- ¹⁾ Do not attach a chamfer
- ²⁾ Wall thickness:
use locknut 01-5385 up to 1,5 mm,
>1,5 mm cut thread
- ³⁾ Nut
- ⁴⁾ Thread in wall of housing

Product description	M12-A female panel mount connector, Contacts: 5, 5.3 mm, shielded, with cable assembled, IP68, M16x1.5, 5 x 0.25 mm², 0,5 m
Area	M12-A series 763
Part no.	70 3442 785 05

Security notices

The connector must not be plugged or unplugged under load. Non-observance and improper use can result in personal injury.

The connectors have been developed for applications in plant engineering, control and electrical equipment construction. The user is responsible for checking whether the connectors can also be used in other areas of application.

The user must take suitable safety precautions to ensure that the connector cannot be accidentally disconnected.

Plug connectors with enclosure protection IP 67 and IP 68 are not suitable for use under water. For further information on the IP protection classes, please refer to the "Technical Information" download centre.