

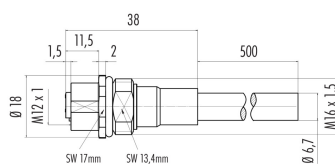
Product description **M12-D female panel mount connector, Contacts: 4, shielded, cable, IP67, M16x1.5, Profinet, PUR green, 2 x 2 x AWG22, 0,5 m**

Area **M12-D series 876**  
Part no. **70 3734 705 04**

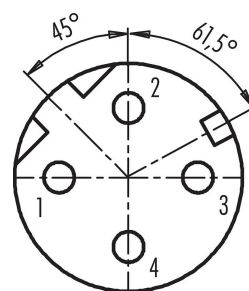
**Illustration**



**Scale drawing**



**Contact arrangement (Plug-in side)**



- 1 yellow
- 2 white
- 3 orange
- 4 blue

You can find the assembly instructions on the next page.

**Technical data**

**General features**

Part no.	70 3734 705 04
Connector design	female panel mount connector
Cable length	0,5 m
Version	connector female straight
Connector locking system	screw
Termination	cable
Degree of protection	IP67
Cross-sectional area	AWG 22
Temperature range from/to	-25 °C / 60 °C
Mechanical operation	> 500 Mating cycles
Weight (g)	47.00
Customs tariff number	85444290

**Electrical parameters**

Rated voltage	250 V
Rated impulse voltage	2500 V
Rated current (40 °C)	4 A
Insulation resistance	> 10 <sup>10</sup> Ω
Pollution degree	3
Transmission rate	CAT 5
Overvoltage category	II
Insulating material group	II
EMC compliance	shielded



Product description	M12-D female panel mount connector, Contacts: 4, shielded, cable, IP67, M16x1.5, Profinet, PUR green, 2 x 2 x AWG22, 0,5 m
Area	M12-D series 876
Part no.	70 3734 705 04

Temperature range cable fixed from/to -40 °C / 80 °C

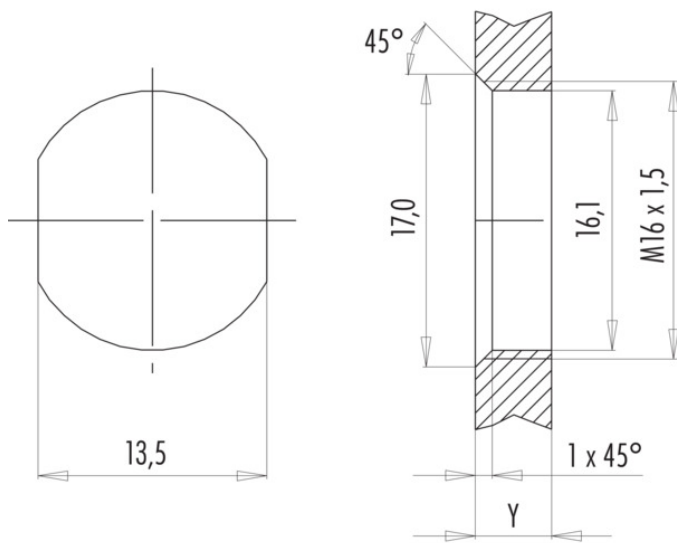
Cable data - Other features

Halogen free	Yes
--------------	-----

Assembly instructions / Panel cut-out

With flats as anti-rotation device

With bore hole



Installation direction: o-ring sits on chamfer.

Tightening moment

Metall housing/Plastic housing 1,25 Nm

Thickness of wall Y (mm)		
Version	min (mm)	max (mm)
Fastened from rear	2	3,5
Front fastened	2	4,5
positioning possible <sup>1)</sup>	2	3,5
Screw clamp	2	3,5
Thread M12 x 1	2	3,0
Thread M14 x 1 <sup>2)</sup>	<sup>3)</sup> 1,5/ <sup>4)</sup> 2	6,5

Notes

- <sup>1)</sup> Do not attach a chamfer
- <sup>2)</sup> Wall thickness:  
use locknut 01-5385 up to 1,5 mm,  
>1,5 mm cut thread
- <sup>3)</sup> Nut
- <sup>4)</sup> Thread in wall of housing

Product description	<b>M12-D female panel mount connector, Contacts: 4, shielded, cable, IP67, M16x1.5, Profinet, PUR green, 2 x 2 x AWG22, 0,5 m</b>
Area	<b>M12-D series 876</b>
Part no.	<b>70 3734 705 04</b>

### Security notices

The connector must not be plugged or unplugged under load. Non-observance and improper use can result in personal injury.

The connectors have been developed for applications in plant engineering, control and electrical equipment construction. The user is responsible for checking whether the connectors can also be used in other areas of application.

Plug connectors with enclosure protection IP 67 and IP 68 are not suitable for use under water. When used outdoors, the plug connectors must be protected separately against corrosion. For further information on the IP protection classes, please refer to the "Technical Information" download centre.