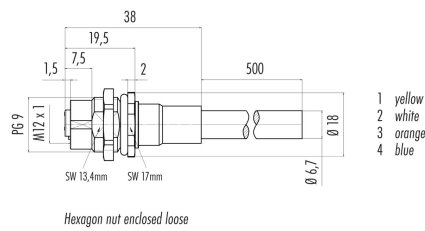


Product description	M12-D female panel mount connector, Contacts: 4, shielded, cable, IP67, PG9, Profinet, PUR green, 2 x 2 x AWG22, front mounting, 0,5 m
Area	M12-D series 876
Part no.	70 3734 706 04

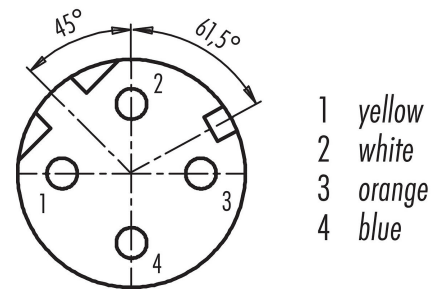
Illustration



Scale drawing



Contact arrangement (Plug-in side)



You can find the assembly instructions on the next page.

Technical data

General features

Part no.	70 3734 706 04
Connector design	female panel mount connector
Cable length	0,5 m
Version	connector female straight
Connector locking system	screw
Termination	cable
Degree of protection	IP67
Cross-sectional area	AWG 22
Temperature range from/to	-25 °C / 60 °C
Mechanical operation	> 500 Mating cycles
Weight (g)	50.00
Customs tariff number	85444290

Electrical parameters

Rated voltage	250 V
Rated impulse voltage	2500 V
Rated current (40 °C)	4 A
Insulation resistance	> 10 <sup>10</sup> Ω
Pollution degree	3
Transmission rate	CAT 5
Overvoltage category	II
Insulating material group	II
EMC compliance	shielded

Product description	M12-D female panel mount connector, Contacts: 4, shielded, cable, IP67, PG9, Profinet, PUR green, 2 x 2 x AWG22, front mounting, 0,5 m
Area	M12-D series 876
Part no.	70 3734 706 04

Shield connection

Shielding on the housing

### Material

Contact body material	PA
Contact material	CuSn (bronze)
Contact plating	Au (gold)
Locking material	Zinc die-cast nickel-plated
REACH SVHC	CAS 7439-92-1 (Lead)
SCIP number	SCIP-number not available

### Classifications

eCl@ss 11.1	27-06-03-11
ETIM 7.0	EC003570

### Cable data - Structure of the cable

Cable type	Profinet
Cable diameter	6.7 mm
Cross section	2 x 2 x AWG22
Sheath material	PUR
Single-lead insulation	Polyolefin
Single-lead structure	AWG 22/7 mm
Cable color	green

### Cable data - Mechanical properties

Bending radius, fixed cable	$\geq 5 \times \emptyset$
Bending radius, moving cable	$\geq 15 \times \emptyset$
Bending cycles	$>10 \times \emptyset$ (2 million)
Permitted acceleration	2 m/s <sup>2</sup>
Travel distance, horizontal	bei 5 m/s <sup>2</sup> -> 5 m
Travel distance, vertical	bei 5 m/s <sup>2</sup> -> 5 m
Travel speed	$\leq 200$ m/min (5 m horizontal distance)

### Cable data - Thermal properties

Temperature range cable in move from/to	-20 °C / 60 °C
Temperature range cable fixed from/to	-40 °C / 80 °C

### Cable data - Other features

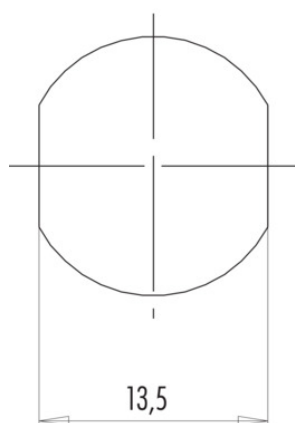
Halogen free	Yes
--------------	-----

Product description **M12-D female panel mount connector, Contacts: 4, shielded, cable, IP67, PG9, Profinet, PUR green, 2 x 2 x AWG22, front mounting, 0,5 m**

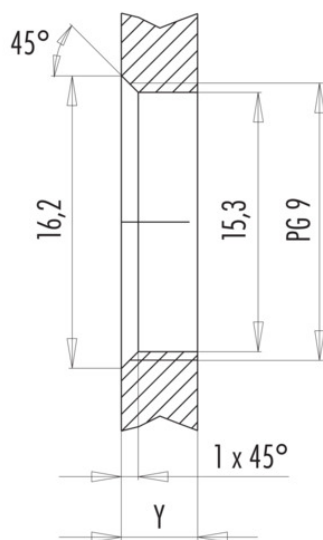
Area **M12-D series 876**  
Part no. **70 3734 706 04**

**Assembly instructions / Panel cut-out**

With flats as anti-rotation device



With bore hole



Installation direction: o-ring sits on chamfer.

**Tightening moment**

Metall housing/Plastic housing 1,25 Nm

Thickness of wall Y (mm)		
Version	min (mm)	max (mm)
Fastened from rear	2	3,5
Front fastened	2	4,5
positioning possible <sup>1)</sup>	2	3,5
Screw clamp	2	3,5
Thread M12 x 1	2	3,0
Thread M14 x 1 <sup>2)</sup>	<sup>3)</sup> 1,5/ <sup>4)</sup> 2	6,5

**Notes**

- <sup>1)</sup> Do not attach a chamfer
- <sup>2)</sup> Wall thickness:  
use locknut 01-5385 up to 1,5 mm,  
>1,5 mm cut thread
- <sup>3)</sup> Nut
- <sup>4)</sup> Thread in wall of housing

Product description	<b>M12-D female panel mount connector, Contacts: 4, shielded, cable, IP67, PG9, Profinet, PUR green, 2 x 2 x AWG22, front mounting, 0,5 m</b>
Area	<b>M12-D series 876</b>
Part no.	<b>70 3734 706 04</b>

### Security notices

The connector must not be plugged or unplugged under load. Non-observance and improper use can result in personal injury.

The connectors have been developed for applications in plant engineering, control and electrical equipment construction. The user is responsible for checking whether the connectors can also be used in other areas of application.

Plug connectors with enclosure protection IP 67 and IP 68 are not suitable for use under water. When used outdoors, the plug connectors must be protected separately against corrosion. For further information on the IP protection classes, please refer to the "Technical Information" download centre.