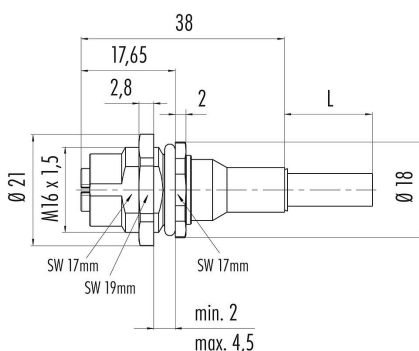


Product description	M12-X female panel mount connector, Contacts: 8, shielded, cable, IP67, UL, M16x1.5, Ethernet, PUR green, 4 x 2 x AWG 26/7, front mounting, 0.5 m
Area	M12-X series 876
Part no.	70 3784 706 08

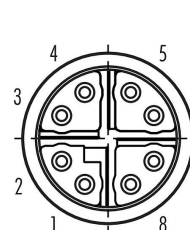
Illustration



Scale drawing



Contact arrangement (Plug-in side)



- 1 white-orange
- 2 orange
- 3 white-green
- 4 green
- 5 white-brown
- 6 brown
- 7 white-blue
- 8 blue

shield on housing

You can find the component part drawing and assembly instructions on the next page.

Technical data

General features

Part no.	70 3784 706 08
Connector design	female panel mount connector
Cable length	0.5 m
Version	connector female straight
Connector locking system	screw
Termination	cable
Degree of protection	IP67
Cross-sectional area	4x2x AWG 26
Temperature range from/to	-40 °C / 85 °C
Mechanical operation	> 100 Mating cycles
Weight (g)	41.00
Customs tariff number	85444290

Electrical parameters

Rated voltage	50 V AC / 60 V DC
Rated current (40 °C)	0.5 A
Insulation resistance	> 10 ⁸ Ω
Pollution degree	3
Transmission rate	CAT 6A
Overvoltage category	II
Insulating material group	III
EMC compliance	shielded

Product description	M12-X female panel mount connector, Contacts: 8, shielded, cable, IP67, UL, M16x1.5, Ethernet, PUR green, 4 x 2 x AWG 26/7, front mounting, 0.5 m
Area	M12-X series 876
Part no.	70 3784 706 08

Shield connection	Shielding on the housing
-------------------	--------------------------

Material

Housing material	Zinc die-cast nickel-plated
Contact body material	PA
Contact material	CuSn (bronze)
Contact plating	Au (gold)
Locking material	Zinc die-cast nickel-plated
REACH SVHC	CAS 7439-92-1 (Lead)
SCIP number	SCIP-number not available

Authorization/approvals

Approvals	UL
-----------	----

Classifications

eCl@ss 11.1	27-06-03-11
ETIM 7.0	EC003570

Cable data - Structure of the cable

Cable type	Ethernet
Cable diameter	6.2 mm
Cross section	4 x 2 x AWG 26/7
Sheath material	PUR
Single-lead insulation	PE
Single-lead structure	AWG 26/7 mm
Cable color	green

Cable data - Electrical properties

Conductor resistance	145 Ω/Km (20°C)
----------------------	-----------------

Cable data - Mechanical properties

Bending radius, fixed cable	≥ 50 mm
-----------------------------	---------

Cable data - Thermal properties

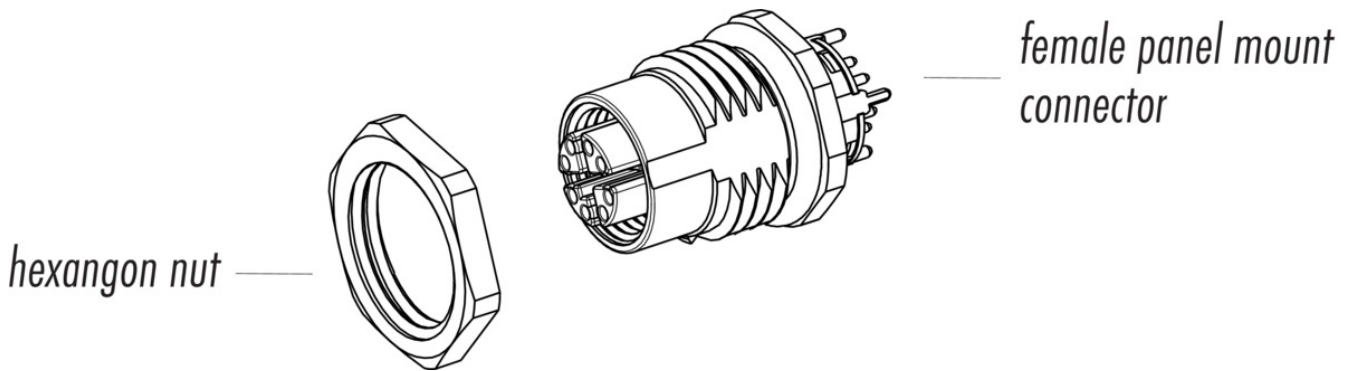
Temperature range cable in move from/to	-10 °C / 60 °C
Temperature range cable fixed from/to	-40 °C / 85 °C

Product description	M12-X female panel mount connector, Contacts: 8, shielded, cable, IP67, UL, M16x1.5, Ethernet, PUR green, 4 x 2 x AWG 26/7, front mounting, 0.5 m
Area	M12-X series 876
Part no.	70 3784 706 08

Cable data - Other features

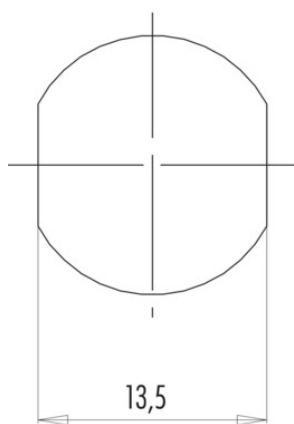
Halogen free	Yes
--------------	-----

Component part drawing

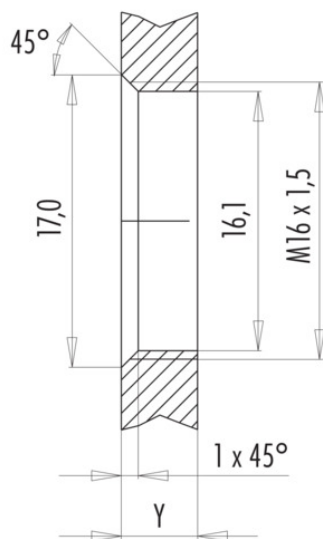


Assembly instructions / Panel cut-out

With flats as anti-rotation device



With bore hole



Installation direction: o-ring sits on chamfer.

Tightening moment

Metall housing/Plastic housing 1,25 Nm

Thickness of wall Y (mm)		
Version	min (mm)	max (mm)
Fastened from rear	2	3,5
Front fastened	2	4,5
positioning possible ¹⁾	2	3,5
Screw clamp	2	3,5
Thread M12 x 1	2	3,0
Thread M14 x 1 ²⁾	³⁾ 1,5/ ⁴⁾ 2	6,5

Notes

- ¹⁾ Do not attach a chamfer
- ²⁾ Wall thickness:
use locknut 01-5385 up to 1,5 mm,
>1,5 mm cut thread
- ³⁾ Nut
- ⁴⁾ Thread in wall of housing

Product description	M12-X female panel mount connector, Contacts: 8, shielded, cable, IP67, UL, M16x1.5, Ethernet, PUR green, 4 x 2 x AWG 26/7, front mounting, 0.5 m
---------------------	--

Area	M12-X series 876
Part no.	70 3784 706 08

Security notices

The connectors have been developed for applications in plant engineering, control and electrical equipment construction. The user is responsible for checking whether the connectors can also be used in other areas of application.

Plug connectors with enclosure protection IP 67 and IP 68 are not suitable for use under water. When used outdoors, the plug connectors must be protected separately against corrosion. For further information on the IP protection classes, please refer to the "Technical Information" download centre.