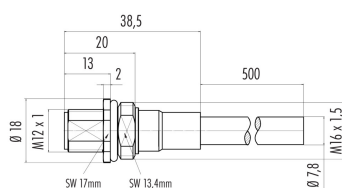


Product description	M12-B male panel mount connector, Contacts: 2, shielded, cable, IP68, M16x1.5, Profibus, PUR purple, 1 x 2 x 0.25 mm ² , 0,5 m
Area	M12-B series 766
Part no.	70 4433 246 04

Illustration

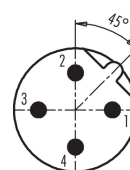


Scale drawing



- 1 n. C.
- 2 grün
- 3 n. C.
- 4 rot

Contact arrangement (Plug-in side)



- 1 nicht konfektioniert/not assembled
- 2 grün/green
- 3 nicht konfektioniert/not assembled
- 4 rot/red

You can find the assembly instructions on the next page.

Technical data

General features

Part no.	70 4433 246 04
Connector design	male panel mount connector
Cable length	0,5 m
Version	connector male straight
Connector locking system	screw
Termination	cable
Degree of protection	IP68
Cross-sectional area	0.25 mm ² / AWG 24
Temperature range from/to	-25 °C / 80 °C
Mechanical operation	> 100 Mating cycles
Weight (g)	45.00
Customs tariff number	85444290

Electrical parameters

Rated voltage	60 V
Rated impulse voltage	1500 V
Rated current (40 °C)	4 A
Insulation resistance	> 10 ⁸ Ω
Pollution degree	3
Overvoltage category	II
Insulating material group	II
EMC compliance	shielded
Shield connection	Shielding on the housing

Product description	M12-B male panel mount connector, Contacts: 2, shielded, cable, IP68, M16x1.5, Profibus, PUR purple, 1 x 2 x 0.25 mm ² , 0,5 m
Area	M12-B series 766
Part no.	70 4433 246 04

Material

Housing material	Zinc die-cast nickel-plated
Contact body material	PA
Contact material	CuZn (brass)
Contact plating	Au (gold)
REACH SVHC	CAS 7439-92-1 (Lead)
SCIP number	SCIP-number not available

Classifications

eCl@ss 11.1	27-44-01-03
ETIM 7.0	EC003570

Cable data - Structure of the cable

Cable type	Profibus
Cable diameter	7.8 mm
Cross section	1 x 2 x 0.25 mm ²
Sheath material	PUR
Single-lead insulation	PE foam
Single-lead structure	19 x 0.127 mm mm
Cable color	purple

Cable data - Other features

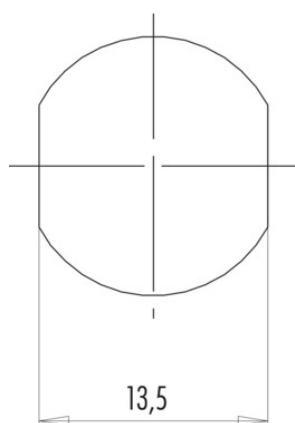
Halogen free	Yes
--------------	-----

Product description **M12-B male panel mount connector, Contacts: 2, shielded, cable, IP68, M16x1.5, Profibus, PUR purple, 1 x 2 x 0.25 mm², 0,5 m**

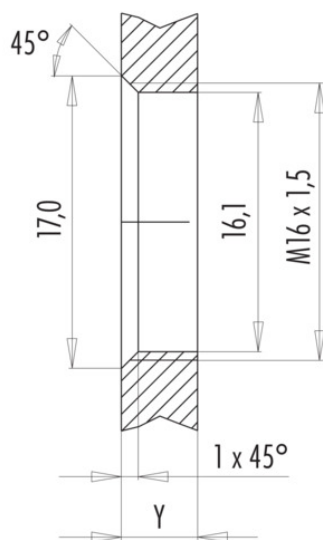
Area **M12-B series 766**
Part no. **70 4433 246 04**

Assembly instructions / Panel cut-out

With flats as anti-rotation device



With bore hole



Installation direction: o-ring sits on chamfer.

Tightening moment

Metall housing/Plastic housing 1,25 Nm

Thickness of wall Y (mm)		
Version	min (mm)	max (mm)
Fastened from rear	2	3,5
Front fastened	2	4,5
positioning possible ¹⁾	2	3,5
Screw clamp	2	3,5
Thread M12 x 1	2	3,0
Thread M14 x 1 ²⁾	³⁾ 1,5/ ⁴⁾ 2	6,5

Notes

- ¹⁾ Do not attach a chamfer
- ²⁾ Wall thickness:
use locknut 01-5385 up to 1,5 mm,
>1,5 mm cut thread
- ³⁾ Nut
- ⁴⁾ Thread in wall of housing

Product description	M12-B male panel mount connector, Contacts: 2, shielded, cable, IP68, M16x1.5, Profibus, PUR purple, 1 x 2 x 0.25 mm², 0,5 m
Area	M12-B series 766
Part no.	70 4433 246 04

Security notices

The connector must not be plugged or unplugged under load. Non-observance and improper use can result in personal injury.

The connectors have been developed for applications in plant engineering, control and electrical equipment construction. The user is responsible for checking whether the connectors can also be used in other areas of application.

The user must take suitable safety precautions to ensure that the connector cannot be accidentally disconnected.

Plug connectors with enclosure protection IP 67 and IP 68 are not suitable for use under water. When used outdoors, the plug connectors must be protected separately against corrosion. For further information on the IP protection classes, please refer to the "Technical Information" download centre.