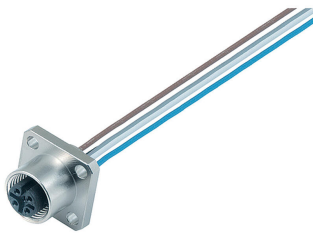
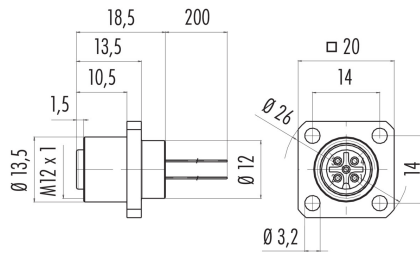


Product description	M12-A square female panel mount connector, Contacts: 4, unshielded, single wires, IP40, UL, square
Area	M12-A series 763
Part no.	76 0932 0111 00004-0200

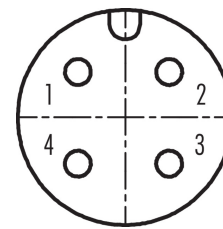
Illustration



Scale drawing



Contact arrangement (Plug-in side)



- 1 brown
- 2 white
- 3 blue
- 4 black

You can find the assembly instructions on the next page.

Technical data

General features

Part no.	76 0932 0111 00004-0200 Alternative part no.: 09 3448 00 04
Notice	Please note that, due to the change from the old to the new order number, there may be deviations in the technical specifications. For questions about product details, please use the 'Contact Customer Service' form on the right.
Connector design	square female panel mount connector
Wire length	0,2 m
Version	connector female straight
Connector locking system	screw
Termination	single wires
Degree of protection	IP40 IP67 with seal, see accessories
Cross-sectional area	0.25 mm ² / AWG 24
Temperature range from/to	-40 °C / 85 °C
Mechanical operation	> 100 Mating cycles
Weight (g)	16.446

Electrical parameters

Rated voltage	250 V
Rated impulse voltage	2500 V
Rated current (40 °C)	4 A (3 A UL)
Insulation resistance	> 10 ⁸ Ω
Pollution degree	3
Overvoltage category	II

Product data sheet

Automation technology - sensors and actuators



Product description	M12-A square female panel mount connector, Contacts: 4, unshielded, single wires, IP40, UL, square
Area	M12-A series 763
Part no.	76 0932 0111 00004-0200

Insulating material group	III
EMC compliance	unshielded

Material

Housing material	CuZn (Brass nickel plated)
Contact body material	PA black
Contact material	CuSn (bronze)
Contact plating	Au (gold)

Authorization/approvals

Approvals	UL
-----------	----

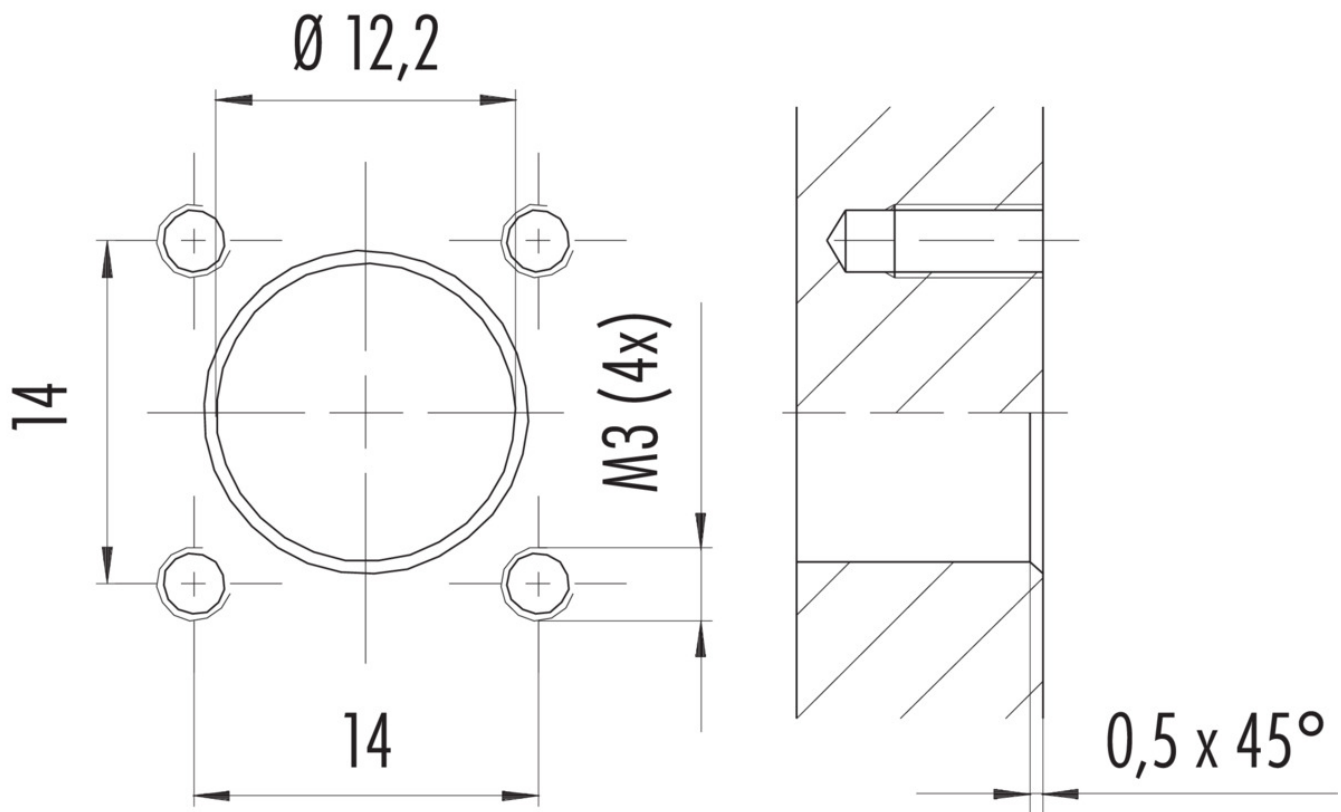
Classifications

eCl@ss 11.1	27-44-01-03
ETIM 7.0	EC003570

Product description M12-A square female panel mount connector, Contacts: 4, unshielded, single wires, IP40, UL, square

Area M12-A series 763
Part no. 76 0932 0111 00004-0200

Assembly instructions / Panel cut-out



Product description	M12-A square female panel mount connector, Contacts: 4, unshielded, single wires, IP40, UL, square
Area	M12-A series 763
Part no.	76 0932 0111 00004-0200

Security notices

The connector must not be plugged or unplugged under load. Non-observance and improper use can result in personal injury.

The connectors have been developed for applications in plant engineering, control and electrical equipment construction. The user is responsible for checking whether the connectors can also be used in other areas of application.

The protection class specification applies on condition that the four mounting holes are made as blind holes.

The user must take suitable safety precautions to ensure that the connector cannot be accidentally disconnected.