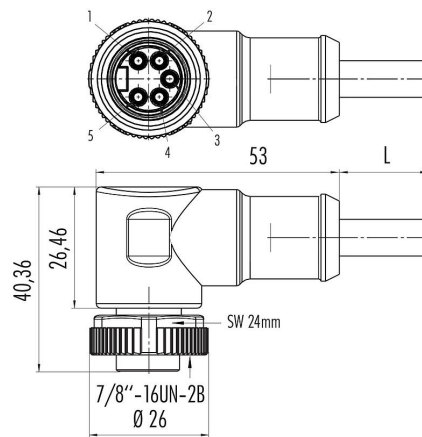


Product description	7/8" female angled connector, Contacts: 3, unshielded, moulded cable, IP68, UL listed, PUR, flame retardant black, 3 x 1.50 mm <sup>2</sup> , 2 m
Area	7/8" series 870
Part no.	77 1434 0000 50003-0200

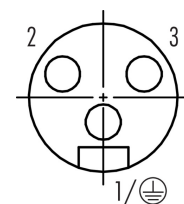
Illustration



Scale drawing



Contact arrangement (Plug-in side)



- 1 green/yellow
- 2 brown
- 3 blue

Technical data

General features

Part no.	77 1434 0000 50003-0200
Connector design	female angled connector
Cable length	2 m
Version	connector female angled
Connector locking system	screw
Termination	moulded cable
Degree of protection	IP68
Cross-sectional area	1.50 mm <sup>2</sup> / AWG 16
Temperature range from/to	-25 °C / 80 °C
Mechanical operation	> 100 Mating cycles
Weight (g)	474
Customs tariff number	85444290

Electrical parameters

Rated voltage	300 V (UL 600 V)
Rated impulse voltage	2500 V
Rated current (40 °C)	13 A
Pollution degree	3
Overvoltage category	II
Insulating material group	I
EMC compliance	unshielded

# Automation technology - voltage and power supply

Product description	7/8" female angled connector, Contacts: 3, unshielded, moulded cable, IP68, UL listed, PUR, flame retardant black, 3 x 1.50 mm <sup>2</sup> , 2 m
Area	7/8" series 870
Part no.	77 1434 0000 50003-0200

## Material

Housing material	PUR
Contact body material	PUR
Contact material	CuSn (bronze)
Contact plating	Au (gold)
REACH SVHC	CAS 7439-92-1 (Lead)
SCIP number	253cf71b-0891-4a3d-9172-20f0db944da2

## Authorization/approvals

Approvals	UL listed
-----------	-----------

## Classifications

eCl@ss 11.1	27-06-03-11
ETIM 7.0	EC001855

## Declarations of conformity

Low Voltage Directive	2014/35/EU (EN 60529:1991;EN 60204-1:2018)
-----------------------	--

## Cable data - Structure of the cable

Cable diameter	7.4 mm
Cross section	3 x 1.50 mm <sup>2</sup>
Sheath material	PUR, flame retardant
Single-lead insulation	TPM
Single-lead structure	82 x 0.15 mm mm
Cable color	black

## Cable data - Mechanical properties

Bending radius, fixed cable	≥ 7.5 x Ø
Bending cycles	5 million
Permitted acceleration	5 m/s <sup>2</sup>
Travel distance, horizontal	20 m
Travel speed	≤ 300 m/min

## Cable data - Thermal properties

Temperature range cable in move from/to	-20 °C / 80 °C
Temperature range cable fixed from/to	-40 °C / 80 °C

# Automation technology - voltage and power supply

Product description	7/8" female angled connector, Contacts: 3, unshielded, moulded cable, IP68, UL listed, PUR, flame retardant black, 3 x 1.50 mm <sup>2</sup> , 2 m
Area	7/8" series 870
Part no.	77 1434 0000 50003-0200

## Cable data - Other features

Halogen free	Yes
--------------	-----

Product description	7/8" female angled connector, Contacts: 3, unshielded, moulded cable, IP68, UL listed, PUR, flame retardant black, 3 x 1.50 mm <sup>2</sup> , 2 m
Area	7/8" series 870
Part no.	77 1434 0000 50003-0200

### Security notices

The connector must not be plugged or unplugged under load. Non-observance and improper use can result in personal injury.

The connectors have been developed for applications in plant engineering, control and electrical equipment construction. The user is responsible for checking whether the connectors can also be used in other areas of application.

Connectors which are used in circuits with voltages dangerous to the touch may only be installed and used by, or under the supervision of, persons with electrical engineering training, taking into account the applicable regulations and standards.

Plug connectors with enclosure protection IP 67 and IP 68 are not suitable for use under water. When used outdoors, the plug connectors must be protected separately against corrosion. For further information on the IP protection classes, please refer to the "Technical Information" download centre.

To lock the cable connector with the device connector, the threaded ring is tightened "hand-tight" (approx. 50 cNm).