

Product data sheet

Power connectors

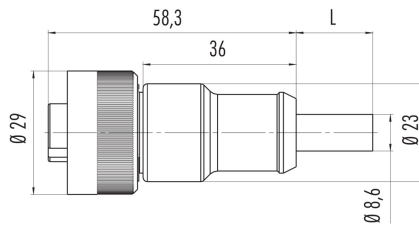


Product description	RD24 female cable connector, Contacts: 3+PE, unshielded, moulded cable, IP67, PVC black, 4 x 1.50 mm ² , 2 m
Area	RD24 series 692
Part no.	79 0232 20 04

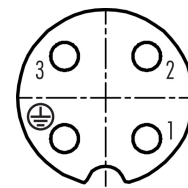
Illustration



Scale drawing



Contact arrangement (Plug-in side)



1
2
3
⊕ green/yellow

You can find the component part drawing and assembly instructions on the next page.

Technical data

General features

Part no.	79 0232 20 04
Connector design	female cable connector
Cable length	2 m
Version	connector female straight
Connector locking system	screw
Termination	moulded cable
Degree of protection	IP67
Cross-sectional area	1.50 mm ² / AWG 16
Temperature range from/to	-25 °C / 80 °C
Mechanical operation	> 500 Mating cycles
Weight (g)	266.00
Customs tariff number	85444290

Electrical parameters

Rated voltage	400 V
Rated impulse voltage	6000 V
Rated current (40 °C)	16 A
Insulation resistance	≥ 10 ¹⁰ Ω
Pollution degree	3
Overvoltage category	III
Insulating material group	III
EMC compliance	unshielded

Product data sheet

Power connectors



Product description	RD24 female cable connector, Contacts: 3+PE, unshielded, moulded cable, IP67, PVC black, 4 x 1.50 mm ² , 2 m
Area	RD24 series 692
Part no.	79 0232 20 04

Material

Contact body material	PA12
Contact material	CuZn (brass)
Contact plating	Ag (silver)
REACH SVHC	CAS 7439-92-1 (Lead)
SCIP number	SCIP-number not available

Classifications

eCl@ss 11.1	27-06-03-11
ETIM 7.0	EC001855

Declarations of conformity

Low Voltage Directive	2014/35/EU (EN 60204-1:2018;EN 60529:1991)
RoHS Directive	2011/65/EU (EN 50581:2012)

Cable data - Structure of the cable

Cable diameter	8.6 mm
Cross section	4 x 1.50 mm ²
Sheath material	PVC
Single-lead insulation	PVC
Single-lead structure	28 x 0.25 mm mm
Cable color	black

Cable data - Mechanical properties

Bending radius, fixed cable	≥ 7.5 x Ø
Bending radius, moving cable	≥ 15 x Ø

Cable data - Thermal properties

Temperature range cable in move from/to	-5 °C / 80 °C
Temperature range cable fixed from/to	-20 °C / 80 °C

Cable data - Other features

Halogen free	No
--------------	----

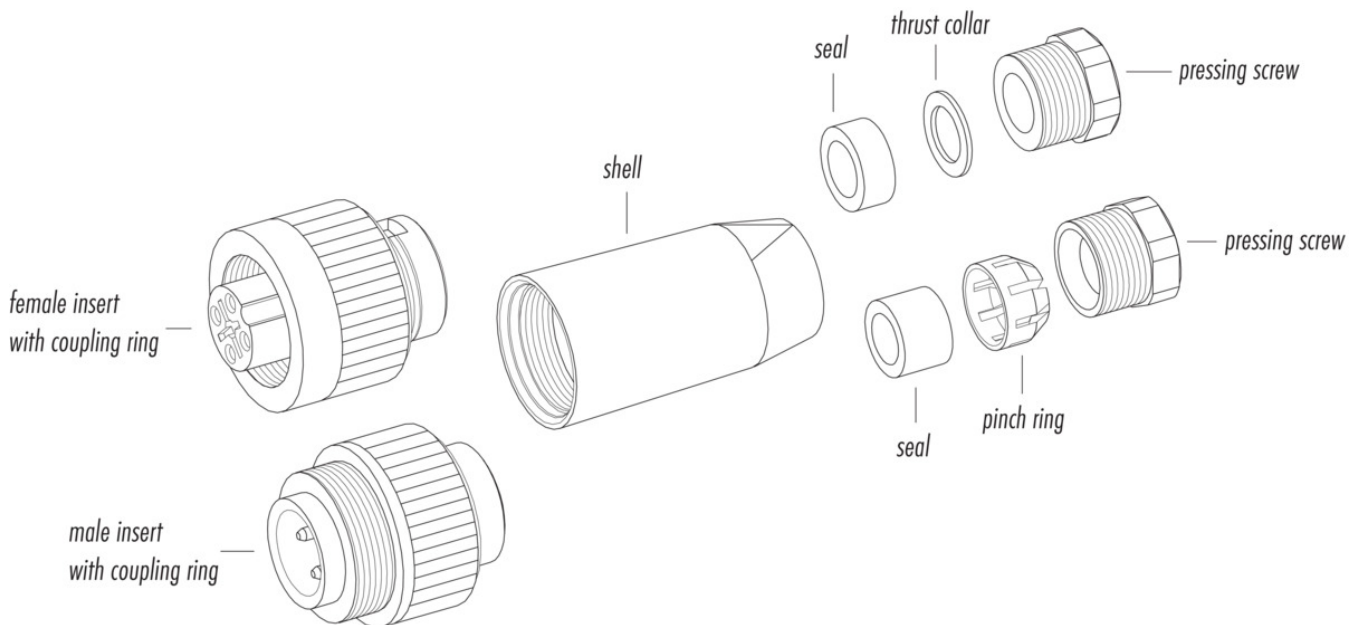
Product data sheet

Power connectors



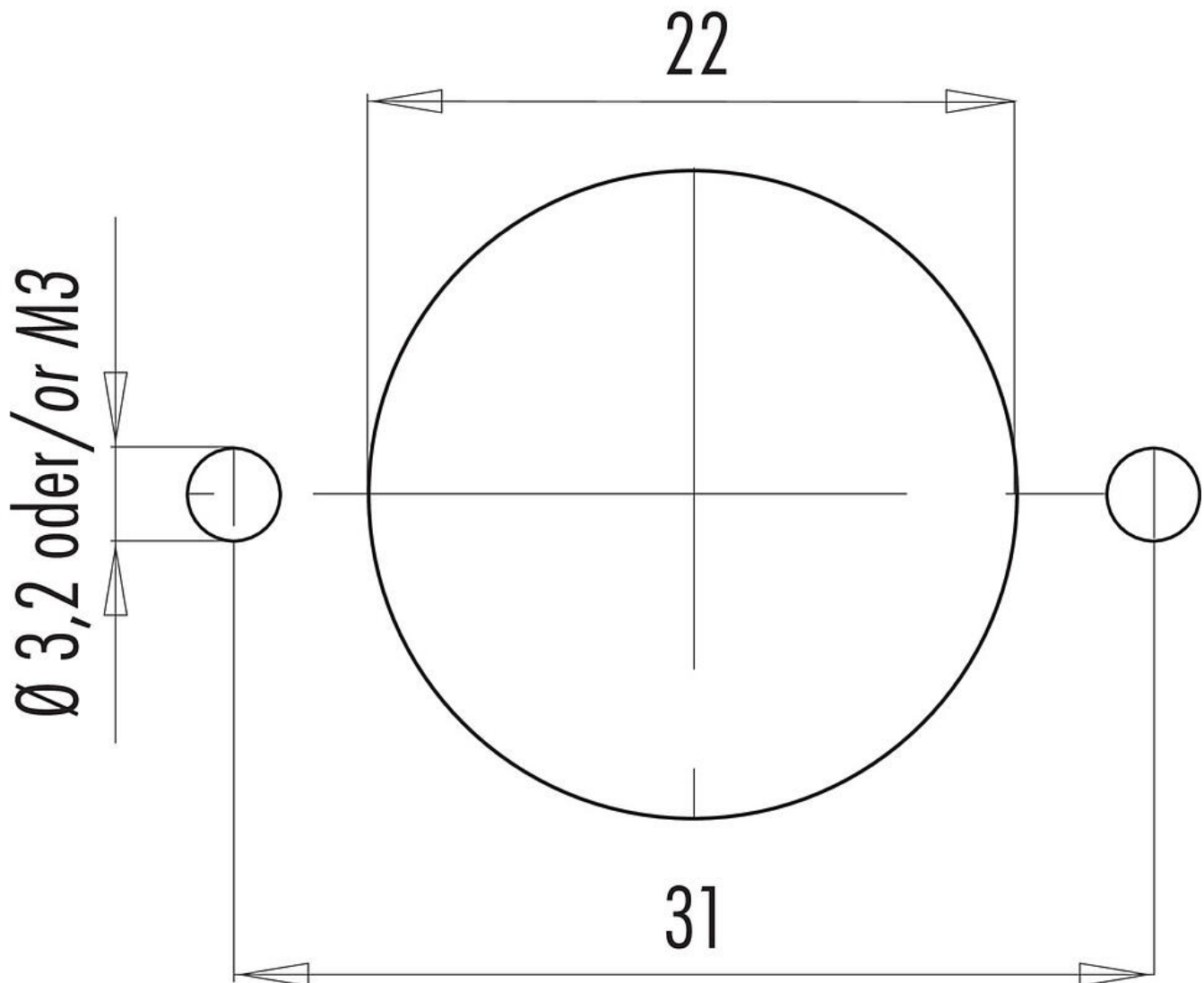
Product description	RD24 female cable connector, Contacts: 3+PE, unshielded, moulded cable, IP67, PVC black, 4 x 1.50 mm ² , 2 m
Area	RD24 series 692
Part no.	79 0232 20 04

Component part drawing



Product description	RD24 female cable connector, Contacts: 3+PE, unshielded, moulded cable, IP67, PVC black, 4 x 1.50 mm ² , 2 m
Area	RD24 series 692
Part no.	79 0232 20 04

Assembly instructions / Panel cut-out



Product description	RD24 female cable connector, Contacts: 3+PE, unshielded, moulded cable, IP67, PVC black, 4 x 1.50 mm², 2 m
Area	RD24 series 692
Part no.	79 0232 20 04

Security notices

The connector must not be plugged or unplugged under load. Non-observance and improper use can result in personal injury.

The connectors have been developed for applications in plant engineering, control and electrical equipment construction. The user is responsible for checking whether the connectors can also be used in other areas of application.

Plug connectors with enclosure protection IP 67 and IP 68 are not suitable for use under water. When used outdoors, the plug connectors must be protected separately against corrosion. For further information on the IP protection classes, please refer to the "Technical Information" download centre.

To lock the cable connector with the device connector, the threaded ring is tightened "hand-tight" (approx. 50 cNm).