

# Product data sheet

## Power connectors

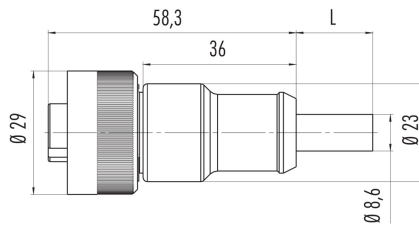


Product description	RD24 female cable connector, Contacts: 6+PE, unshielded, moulded cable, IP67, PVC black, 7 x 0.75 mm <sup>2</sup> , 2 m
Area	RD24 series 692
Part no.	79 0236 20 07

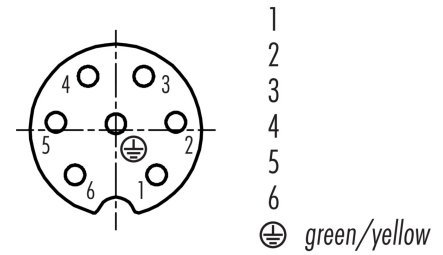
### Illustration



### Scale drawing



### Contact arrangement (Plug-in side)



You can find the component part drawing and assembly instructions on the next page.

## Technical data

### General features

Part no.	79 0236 20 07
Connector design	female cable connector
Cable length	2 m
Version	connector female straight
Connector locking system	screw
Termination	moulded cable
Degree of protection	IP67
Cross-sectional area	0.75 mm <sup>2</sup> / AWG 18
Temperature range from/to	-25 °C / 80 °C
Mechanical operation	> 500 Mating cycles
Weight (g)	308.00
Customs tariff number	85444290

### Electrical parameters

Rated voltage	250 V
Rated impulse voltage	4000 V
Rated current (40 °C)	8 A
Insulation resistance	≥ 10 <sup>10</sup> Ω
Pollution degree	3
Overvoltage category	III
Insulating material group	III
EMC compliance	unshielded

# Product data sheet

## Power connectors



Product description	RD24 female cable connector, Contacts: 6+PE, unshielded, moulded cable, IP67, PVC black, 7 x 0.75 mm <sup>2</sup> , 2 m
Area	RD24 series 692
Part no.	79 0236 20 07

### Material

Contact body material	PA12
Contact material	CuZn (brass)
Contact plating	Ag (silver)
REACH SVHC	CAS 7439-92-1 (Lead)
SCIP number	SCIP-number not available

### Classifications

eCl@ss 11.1	27-06-03-11
ETIM 7.0	EC001855

### Declarations of conformity

Low Voltage Directive	2014/35/EU (EN 60204-1:2018;EN 60529:1991)
RoHS Directive	2011/65/EU (EN 50581:2012)

### Cable data - Structure of the cable

Cross section	7 x 0.75 mm <sup>2</sup>
Sheath material	PVC
Single-lead insulation	PVC
Single-lead structure	24 x 0.20 mm mm
Cable color	black

### Cable data - Thermal properties

Temperature range cable in move from/to	-5 °C / 80 °C
Temperature range cable fixed from/to	-20 °C / 80 °C

### Cable data - Other features

Halogen free	No
--------------	----

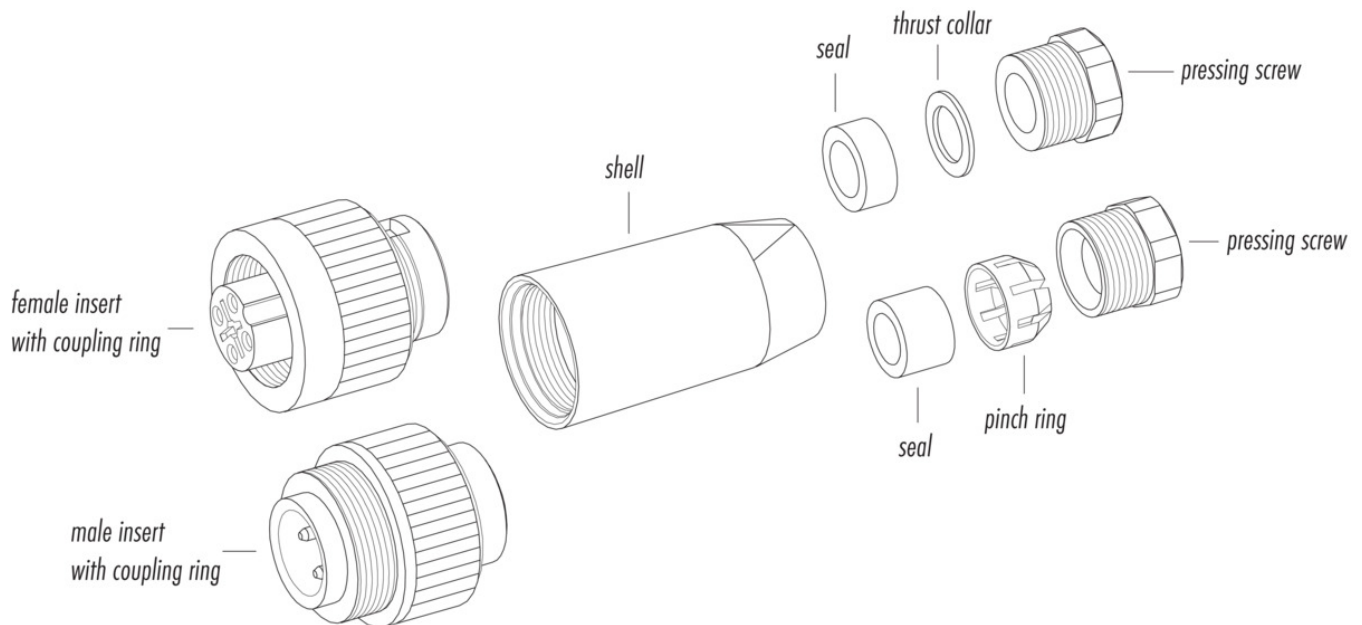
# Product data sheet

## Power connectors

Product description RD24 female cable connector, Contacts: 6+PE, unshielded, moulded cable, IP67, PVC black, 7 x 0.75 mm<sup>2</sup>, 2 m

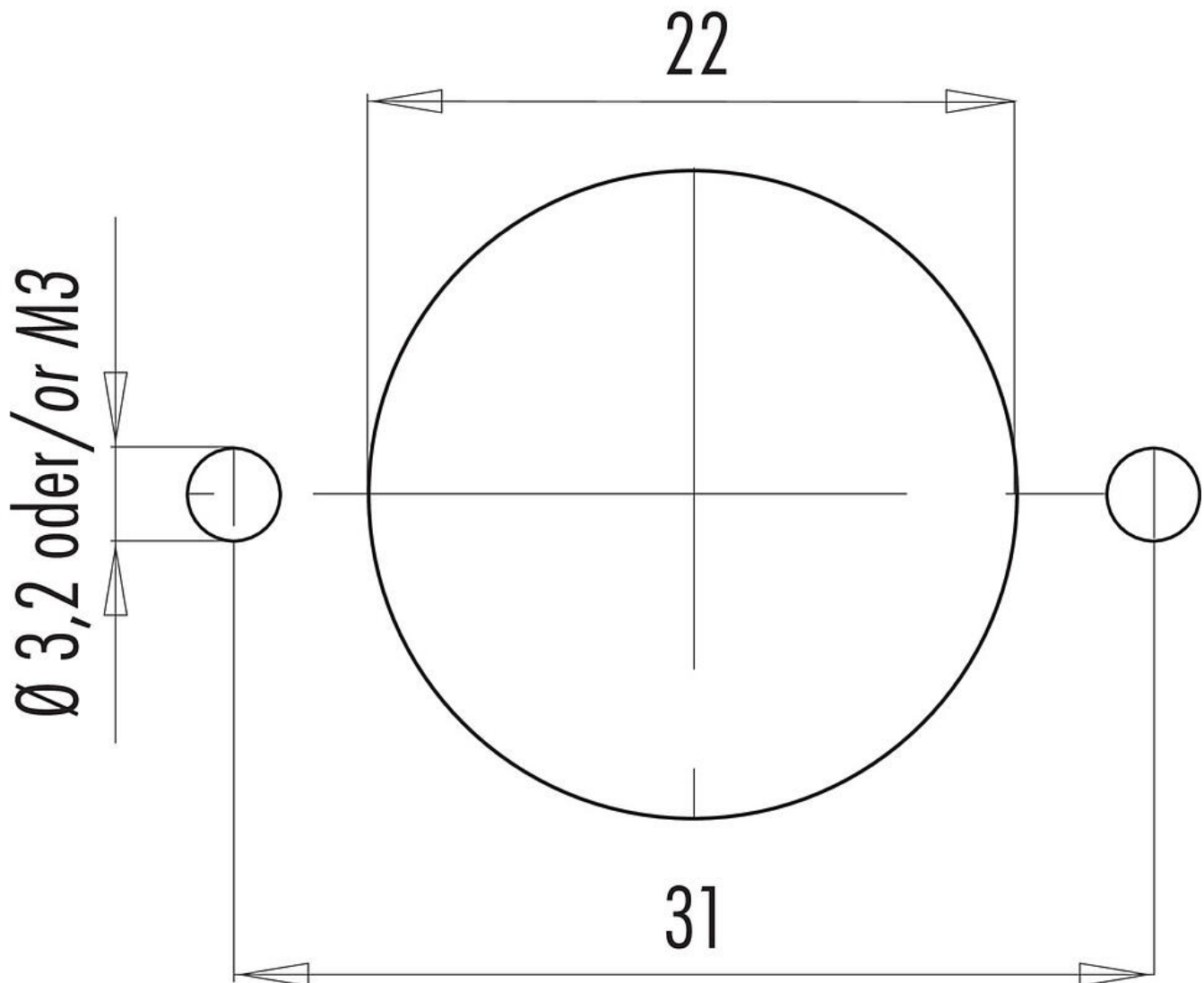
Area RD24 series 692  
Part no. 79 0236 20 07

### Component part drawing



Product description	RD24 female cable connector, Contacts: 6+PE, unshielded, moulded cable, IP67, PVC black, 7 x 0.75 mm <sup>2</sup> , 2 m
Area	RD24 series 692
Part no.	79 0236 20 07

Assembly instructions / Panel cut-out



Product description	RD24 female cable connector, Contacts: 6+PE, unshielded, moulded cable, IP67, PVC black, 7 x 0.75 mm <sup>2</sup> , 2 m
Area	RD24 series 692
Part no.	79 0236 20 07

## Security notices

The connector must not be plugged or unplugged under load. Non-observance and improper use can result in personal injury.

The connectors have been developed for applications in plant engineering, control and electrical equipment construction. The user is responsible for checking whether the connectors can also be used in other areas of application.

Connectors which are used in circuits with voltages dangerous to the touch may only be installed and used by, or under the supervision of, persons with electrical engineering training, taking into account the applicable regulations and standards.

Plug connectors with enclosure protection IP 67 and IP 68 are not suitable for use under water. When used outdoors, the plug connectors must be protected separately against corrosion. For further information on the IP protection classes, please refer to the "Technical Information" download centre.

To lock the cable connector with the device connector, the threaded ring is tightened "hand-tight" (approx. 50 cNm).