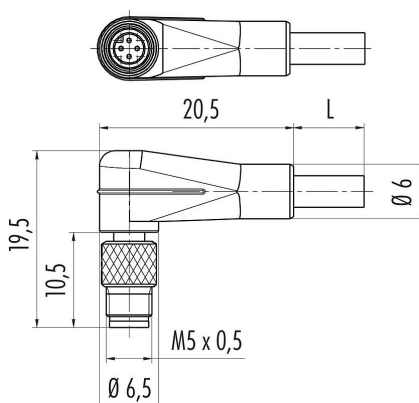


|                     |   |
|---------------------|---|
| Product description | M5 male angled connector, Contacts: 3, unshielded, moulded cable, IP67, UL, M5x0.5, PUR black, 3 x 0.14 mm <sup>2</sup> |
| Area                | M5 series 707   |
| Part no.            | 77 3457 0000 40003-0200   |

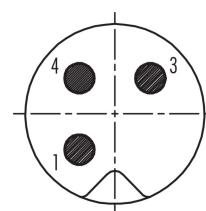
### Illustration



### Scale drawing



### Contact arrangement (Plug-in side)



- 1 brown
- 2 not assembled
- 3 blue
- 4 black

## Technical data

### General features

|                           |  |
|---------------------------|--|
| Part no.                  | 77 3457 0000 40003-0200<br>Alternative part no.: 79 3103 52 03   |
| Notice                    | Please note that, due to the change from the old to the new order number, there may be deviations in the technical specifications. For questions about product details, please use the 'Contact Customer Service' form on the right. |
| Connector design          | male angled connector  |
| Cable length              | 2 m  |
| Version                   | connector male angled  |
| Connector locking system  | screw  |
| Termination               | moulded cable  |
| Degree of protection      | IP67   |
| Cross-sectional area      | 0.14 mm <sup>2</sup> / AWG 26  |
| Temperature range from/to | -25 °C / 80 °C   |
| Mechanical operation      | > 100 Mating cycles  |
| Weight (g)                | 27.5   |
| Customs tariff number     | 85444290   |

### Electrical parameters

|                       |                     |
|-----------------------|---------------------|
| Rated voltage         | 60 V                |
| Rated impulse voltage | 800 V               |
| Rated current (40 °C) | 1 A                 |
| Insulation resistance | > 10 <sup>8</sup> Ω |

# Product data sheet

## Automation technology - sensors and actuators



|                     |   |
|---------------------|---|
| Product description | M5 male angled connector, Contacts: 3, unshielded, moulded cable, IP67, UL, M5x0.5, PUR black, 3 x 0.14 mm <sup>2</sup> |
| Area                | M5 series 707   |
| Part no.            | 77 3457 0000 40003-0200   |

|                           |            |
|---------------------------|------------|
| Pollution degree          | 3          |
| Overvoltage category      | II         |
| Insulating material group | I          |
| EMC compliance            | unshielded |

### Material

|                       |                                      |
|-----------------------|--------------------------------------|
| Housing material      | PUR                                  |
| Contact body material | PUR                                  |
| Contact material      | CuZn (brass)                         |
| Contact plating       | Au (gold)                            |
| Locking material      | CuZn (Brass nickel plated)           |
| REACH SVHC            | CAS 7439-92-1 (Lead)                 |
| SCIP number           | 1f223b7f-d5dc-4c36-876e-3c8cbdfa058e |

### Authorization/approvals

|           |    |
|-----------|----|
| Approvals | UL |
|-----------|----|

### Classifications

|             |             |
|-------------|-------------|
| eCl@ss 11.1 | 27-06-03-11 |
| ETIM 7.0    | EC001855    |

### Declarations of conformity

|                       |  |
|-----------------------|--|
| Low Voltage Directive | 2014/35/EU (EN 60204-1:2018;EN 60529:1991) |
| RoHS Directive        | 2011/65/EU (EN 50581:2012)                 |

### Cable data - Structure of the cable

|                        |                          |
|------------------------|--------------------------|
| Cable diameter         | 3.1 mm                   |
| Cross section          | 3 x 0.14 mm <sup>2</sup> |
| Sheath material        | PUR                      |
| Single-lead insulation | PUR                      |
| Single-lead structure  | 18x0.1 mm                |
| Cable color            | black                    |

### Cable data - Electrical properties

|                      |                 |
|----------------------|-----------------|
| Conductor resistance | 148 Ω/Km (20°C) |
|----------------------|-----------------|

### Cable data - Mechanical properties

|                             |         |
|-----------------------------|---------|
| Bending radius, fixed cable | ≥ 5 x Ø |
|-----------------------------|---------|

|                     |   |
|---------------------|---|
| Product description | M5 male angled connector, Contacts: 3, unshielded, moulded cable, IP67, UL, M5x0.5, PUR black, 3 x 0.14 mm <sup>2</sup> |
| Area                | M5 series 707   |
| Part no.            | 77 3457 0000 40003-0200   |

|                              |                                      |
|------------------------------|--------------------------------------|
| Bending radius, moving cable | ≥ 12 x Ø                             |
| Bending cycles               | >1 million                           |
| Permitted acceleration       | 2 m/s <sup>2</sup>                   |
| Travel distance, horizontal  | 2 m/s <sup>2</sup> -> 3 m            |
| Travel speed                 | at 5m horizontal path. -> 50 m / min |

#### Cable data - Thermal properties

|   |                |
|---|----------------|
| Temperature range cable in move from/to | -5 °C / 80 °C  |
| Temperature range cable fixed from/to   | -25 °C / 80 °C |

#### Cable data - Other features

|              |     |
|--------------|-----|
| Halogen free | Yes |
|--------------|-----|

|                     |   |
|---------------------|---|
| Product description | <b>M5 male angled connector, Contacts: 3, unshielded, moulded cable, IP67, UL, M5x0.5, PUR black, 3 x 0.14 mm<sup>2</sup></b> |
| Area                | <b>M5 series 707</b>  |
| Part no.            | <b>77 3457 0000 40003-0200</b>  |

### **Security notices**

The connectors have been developed for applications in plant engineering, control and electrical equipment construction. The user is responsible for checking whether the connectors can also be used in other areas of application.

Plug connectors with enclosure protection IP 67 and IP 68 are not suitable for use under water. When used outdoors, the plug connectors must be protected separately against corrosion. For further information on the IP protection classes, please refer to the "Technical Information" download centre.

To lock the cable connector with the device connector, the threaded ring is tightened "hand-tight" (approx. 50 cNm).