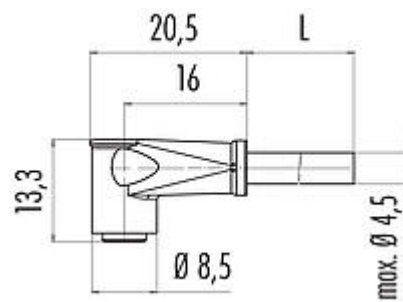


Product description	M8 Female angled connector, Contacts: 4, unshielded, moulded on cable, IP65, PVC black, 4 x 0.25 mm <sup>2</sup> , 5 m
Area	M8 series 718
Part no.	79 3388 45 04

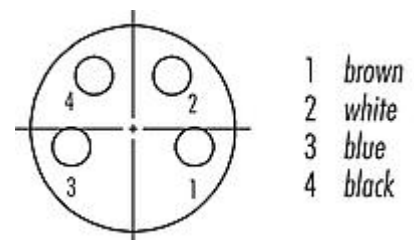
### Illustration



### Scale drawing



### Contact arrangement (Plug-in side)



## Technical data

### General features

Part no.	79 3388 45 04
Connector design	Female angled connector
Cable length	5 m
Version	female angled
Connector locking system	snap-in
Termination	moulded on cable
Degree of protection	IP65
Cross-sectional area	0.25 mm <sup>2</sup> / AWG 24
Temperature range from/to	-25 °C / 70 °C
Mechanical operation	> 100 Mating cycles
Weight (g)	155.00
Customs tariff number	85444290

### Electrical parameters

Rated voltage	60 V
Rated impulse voltage	1500 V
Rated current (40 °C)	4,0 A
Pollution degree	3
Overvoltage category	II
Insulating material group	II
EMC compliance	unshielded

# Product data sheet

## Automation technology - sensors and actuators



Product description	<b>M8 Female angled connector, Contacts: 4, unshielded, moulded on cable, IP65, PVC black, 4 x 0.25 mm<sup>2</sup>, 5 m</b>
Area	<b>M8 series 718</b>
Part no.	<b>79 3388 45 04</b>

### Material

Housing material	PUR
Contact body material	PUR
Contact material	CuSn (bronze)
Contact plating	Au (gold)
REACH SVHC	CAS 7439-92-1 (Lead)
SCIP number	591f5c16-1ebb-46bd-b066-dbbc1add7ae3

### Classifications

eCl@ss 11.1	27-06-03-11
ETIM 7.0	EC001855

### Declarations of conformity

Low Voltage Directive	2014/35/EU (EN 60204-1:2018;EN 60529:1991)
RoHS Directive	2011/65/EU (EN 50581:2012)

### Cable data - Structure of the cable

Cable diameter	4.5 mm
Cross section	4 x 0.25 mm <sup>2</sup>
Sheath material	PVC
Single-lead insulation	PVC
Single-lead structure	32 x 0.10 mm
Cable color	black

### Cable data - Electrical properties

Conductor resistance	79.9 Ω/Km (20°C)
----------------------	------------------

### Cable data - Mechanical properties

Bending radius, fixed cable	≥ 5 x Ø
Bending radius, moving cable	≥ 10 x Ø
Bending cycles	>5 million

### Cable data - Thermal properties

Temperature range cable in move from/to	-5 °C / 70 °C
Temperature range cable fixed from/to	-25 °C / 70 °C

### Cable data - Other features

Halogen free	no
--------------	----

Product description	<b>M8 Female angled connector, Contacts: 4, unshielded, moulded on cable, IP65, PVC black, 4 x 0.25 mm<sup>2</sup>, 5 m</b>
Area	<b>M8 series 718</b>
Part no.	<b>79 3388 45 04</b>

### **Security notices**

The connectors have been developed for applications in plant engineering, control and electrical equipment construction. The user is responsible for checking whether the connectors can also be used in other areas of application.

Plug connectors with enclosure protection IP67 and IP68 are not suitable for use under water. When used outdoors, the plug connectors must be protected separately against corrosion. For further information on the IP protection classes, please refer to the "Technical Information" download centre.