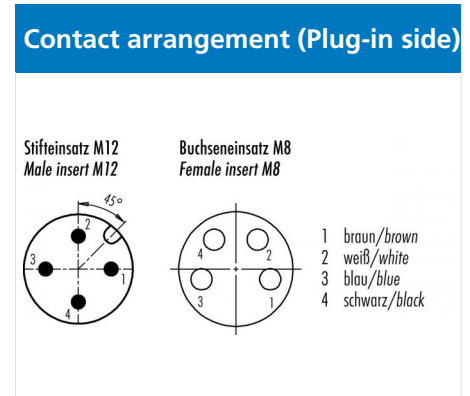
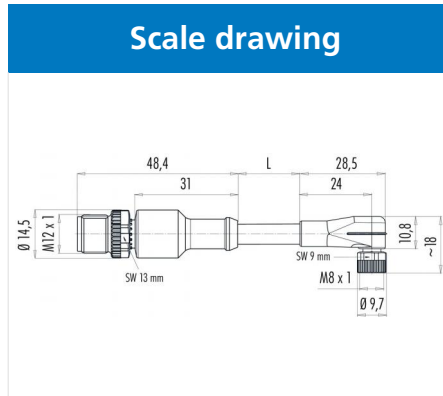
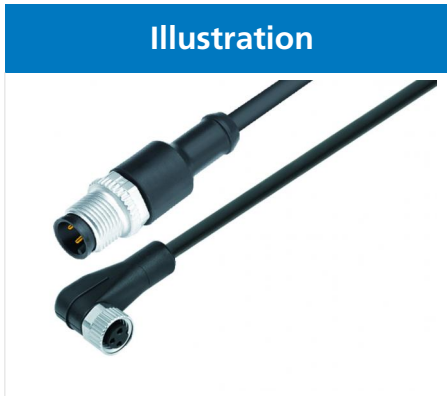


Product description            **M12-A connecting cord, Contacts: 4, unshielded, moulded on cable, IP67, PUR black, 4 x 0.25 mm<sup>2</sup>**  
 Area                                **M12-A series 765**  
 Order number                    **79 5101 20 04**



## Technical data

### General features

Order number	79 5101 20 04
Connector design	connecting cord
Cable length	2 m
Version	connecting cable
Connector locking system	screw
Termination	moulded on cable
Degree of protection	IP67
Cross-sectional area	0.25 mm <sup>2</sup> / AWG 24
Temperature range from/to	-25 °C / 85 °C
Mechanical operation	> 100 Mating cycles
Weight (g)	71
Customs tariff number	85444290

### Electrical parameters

Rated voltage	30 V
Rated impulse voltage	800 V
Rated current (40 °C)	4 A
Pollution degree	3
Overvoltage category	II
Insulating material group	II
EMC compliance	unshielded

### Material

Housing material	PUR
Contact body material	PUR
Contact material	Pin: CuZn (brass) / Socket: CuSn (bronze)
Contact plating	Au (gold)
Locking material	Zinc die-cast nickel-plated
REACH SVHC	CAS 7439-92-1 (Lead)

### Classifications

eCl@ss 11.1	27-06-03-11
ETIM 7.0	EC001855

### Declarations of conformity

RoHS Directive	2011/65/EU (EN 50581:2012)
----------------	----------------------------

### Cable data

Cable diameter	4.5 mm
Cross section	4 x 0.25 mm <sup>2</sup>
Sheath material	PUR
Single-lead insulation	PVC
Single-lead structure	32x0.1 mm
Cable color	black
Conductor resistance	79.9 Ω/Km (20°C)
Bending radius, fixed cable	≥ 5 x Ø
Bending radius, moving cable	≥ 10 x Ø
Bending cycles	0.3 Mio.
Temperature range cable in move from/to	-5°C / +80°C
Temperature range cable fixed from/to	-25°C / +80°C
Halogen free	No

Product description	M12-A connecting cord, Contacts: 4, unshielded, moulded on cable, IP67, PUR black, 4 x 0.25 mm <sup>2</sup>
Area	M12-A series 765
Order number	79 5101 20 04

## Security notices

The connectors have been developed for applications in plant engineering, control and electrical equipment construction. The user is responsible for checking whether the connectors can also be used in other areas of application.

Plug connectors with enclosure protection IP 67 and IP 68 are not suitable for use under water. When used outdoors, the plug connectors must be protected separately against corrosion. For further information on the IP protection classes, please refer to the "Technical Information" download centre. To lock the cable connector with the device connector, the threaded ring is tightened "hand-tight" (approx. 60 cNm).