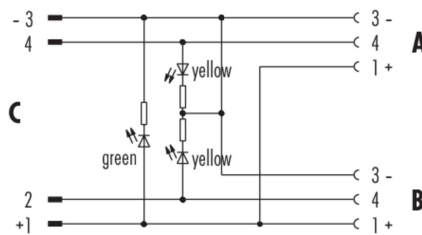


Product description	M12-A double distributor, Contacts: 4/3, unshielded, pluggable, IP68, UL listed, M8x1.0
Area	M12-A series 765
Part no.	79 5232 00 04

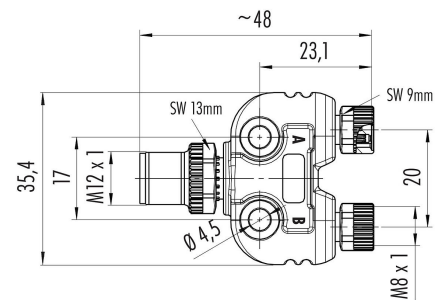
### Illustration



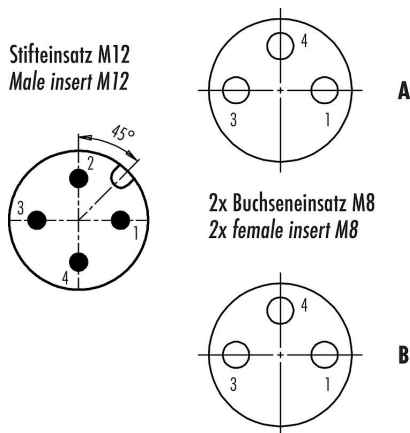
### Pin assignment plans



### Scale drawing



### Contact arrangement (Plug-in side)



### Technical data

#### General features

Part no.	79 5232 00 04
Connector design	double distributor
Version	distributor
Connector locking system	screw
Termination	pluggable
Degree of protection	IP68
Temperature range from/to	-25 °C / 85 °C
Mechanical operation	> 100 Mating cycles

# Product data sheet

## Automation technology - sensors and actuators



Product description	M12-A double distributor, Contacts: 4/3, unshielded, pluggable, IP68, UL listed, M8x1.0
Area	M12-A series 765
Part no.	79 5232 00 04

Weight (g)	28.00
Customs tariff number	85369010

### Electrical parameters

Rated voltage	30 V
Rated impulse voltage	800 V
Rated current (40 °C)	4 A
Pollution degree	3
Overvoltage category	II
Insulating material group	II
EMC compliance	unshielded

### Material

Housing material	PUR
Contact body material	PUR
Contact material	Pin: CuZn (brass) / Socket: CuSn (bronze)
Contact plating	Au (gold)
Locking material	Zinc die-cast nickel-plated
REACH SVHC	CAS 7439-92-1 (Lead)
SCIP number	94cbae81-476c-407f-8c8c-cf10ebb443ec

### Authorization/approvals

Approvals	UL listed
-----------	-----------

### Classifications

eCl@ss 11.1	27-06-03-11
ETIM 7.0	EC001855

### Declarations of conformity

RoHS Directive	2011/65/EU (EN 50581:2012)
----------------	----------------------------



Product description	<b>M12-A double distributor, Contacts: 4/3, unshielded, pluggable, IP68, UL listed, M8x1.0</b>
Area	<b>M12-A series 765</b>
Part no.	<b>79 5232 00 04</b>

### **Security notices**

The connectors have been developed for applications in plant engineering, control and electrical equipment construction. The user is responsible for checking whether the connectors can also be used in other areas of application.

Plug connectors with enclosure protection IP 67 and IP 68 are not suitable for use under water. When used outdoors, the plug connectors must be protected separately against corrosion. For further information on the IP protection classes, please refer to the "Technical Information" download centre.

To lock the cable connector with the device connector, the threaded ring is tightened "hand-tight" (approx. 60 cNm).