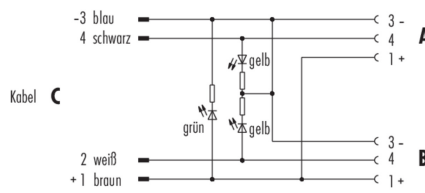


Product description	M8 double distributor, Contacts: 3, unshielded, moulded cable, IP68, UL listed, M8x1.0, PUR black, 4 x 0.25 mm ² , 2 m
Area	M8 series 765
Part no.	79 5232 33 04

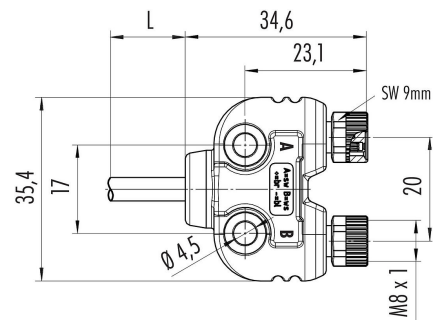
Illustration



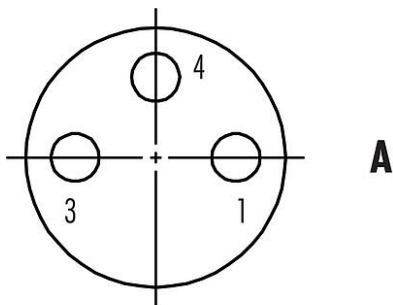
Pin assignment plans



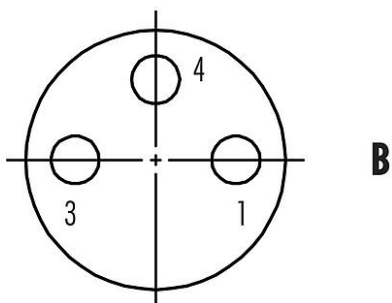
Scale drawing



Contact arrangement (Plug-in side)



2x Buchseneinsatz M8
2x female insert M8



Technical data

Product data sheet

Automation technology - sensors and actuators



Product description	M8 double distributor, Contacts: 3, unshielded, moulded cable, IP68, UL listed, M8x1.0, PUR black, 4 x 0.25 mm², 2 m
Area	M8 series 765
Part no.	79 5232 33 04

General features

Part no.	79 5232 33 04
Connector design	double distributor
Cable length	2 m
Version	distributor
Connector locking system	screw
Termination	moulded cable
Degree of protection	IP68
Cross-sectional area	0.25 mm ² / AWG 24
Temperature range from/to	-25 °C / 85 °C
Mechanical operation	> 100 Mating cycles
Weight (g)	73.00
Customs tariff number	85444290

Electrical parameters

Rated voltage	30 V
Rated impulse voltage	800 V
Rated current (40 °C)	4 A
Pollution degree	3
Overvoltage category	II
Insulating material group	II
EMC compliance	unshielded

Material

Housing material	PUR
Contact body material	PUR
Contact material	Pin: CuZn (brass) / Socket: CuSn (bronze)
Contact plating	Au (gold)
Locking material	Zinc die-cast nickel-plated
REACH SVHC	CAS 7439-92-1 (Lead)
SCIP number	9727ef6b-a514-4560-addd-dd075770f6f6

Authorization/approvals

Approvals	UL listed
-----------	-----------

Classifications

eCl@ss 11.1	27-06-03-11
ETIM 7.0	EC001855



Product data sheet

Automation technology - sensors and actuators



Product description	M8 double distributor, Contacts: 3, unshielded, moulded cable, IP68, UL listed, M8x1.0, PUR black, 4 x 0.25 mm², 2 m
Area	M8 series 765
Part no.	79 5232 33 04

Declarations of conformity

RoHS Directive	2011/65/EU (EN 50581:2012)
----------------	----------------------------

Cable data - Structure of the cable

Cable diameter	4.5 mm
Cross section	4 x 0.25 mm ²
Sheath material	PUR
Single-lead insulation	PVC
Single-lead structure	32 x 0.10 mm mm
Cable color	black

Cable data - Electrical properties

Operating voltage	≤300 V
Cable test voltage	3 kV (Sparks test average UL758/1581)
Conductor resistance	78 Ω/Km (20°C)

Cable data - Mechanical properties

Bending radius, fixed cable	≥ 5 x Ø
Bending radius, moving cable	≥ 10 x Ø
Bending cycles	>2 million
Travel speed	≤ 3.33 m/s

Cable data - Thermal properties

Temperature range cable in move from/to	-20 °C / 80 °C
Temperature range cable fixed from/to	-40 °C / 80 °C

Cable data - Other features

Halogen free	No
--------------	----



Product description	M8 double distributor, Contacts: 3, unshielded, moulded cable, IP68, UL listed, M8x1.0, PUR black, 4 x 0.25 mm², 2 m
Area	M8 series 765
Part no.	79 5232 33 04

Security notices

The connectors have been developed for applications in plant engineering, control and electrical equipment construction. The user is responsible for checking whether the connectors can also be used in other areas of application.

Plug connectors with enclosure protection IP 67 and IP 68 are not suitable for use under water. When used outdoors, the plug connectors must be protected separately against corrosion. For further information on the IP protection classes, please refer to the "Technical Information" download centre.

To lock the cable connector with the device connector, the threaded ring is tightened "hand-tight" (approx. 50 cNm).