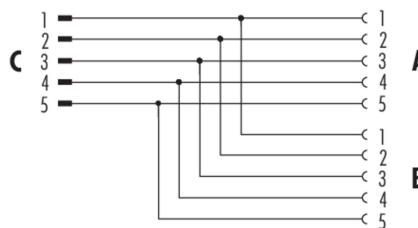


Product description	M12-A distributor box, Contacts: 5, unshielded, pluggable, IP68, UL listed, M12x1.0
Area	M12-A series 765
Part no.	79 5256 100 05

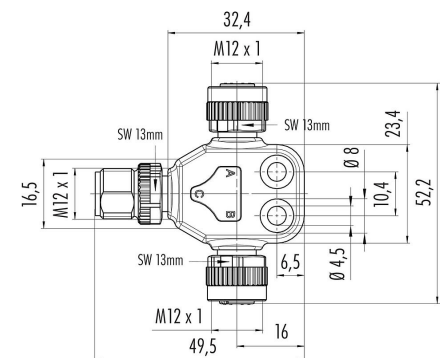
### Illustration



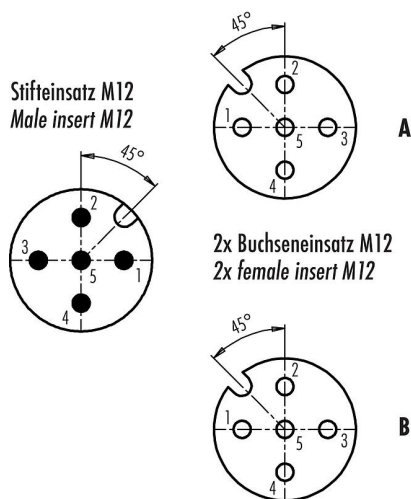
### Pin assignment plans



### Scale drawing



### Contact arrangement (Plug-in side)



### Technical data

#### General features

Part no.	79 5256 100 05
Connector design	distributor box
Version	distributor
Connector locking system	screw
Termination	pluggable

# Product data sheet

## Automation technology - sensors and actuators



Product description	M12-A distributor box, Contacts: 5, unshielded, pluggable, IP68, UL listed, M12x1.0
Area	M12-A series 765
Part no.	79 5256 100 05

Degree of protection	IP68
Temperature range from/to	-25 °C / 85 °C
Mechanical operation	> 100 Mating cycles
Weight (g)	26.00
Customs tariff number	85444290

### Electrical parameters

Rated voltage	60 V
Rated impulse voltage	1500 V
Rated current (40 °C)	4 A
Pollution degree	3
Overvoltage category	II
Insulating material group	II
EMC compliance	unshielded

### Material

Housing material	PUR
Contact body material	PUR
Contact material	Pin: CuZn (brass) / Socket: CuSn (bronze)
Contact plating	Au (gold)
Locking material	Zinc die-cast nickel-plated
REACH SVHC	None (No pollutants)
SCIP number	SCIP-number not available

### Authorization/approvals

Approvals	UL listed
-----------	-----------

### Classifications

eCl@ss 11.1	27-06-03-11
ETIM 7.0	EC001855

### Declarations of conformity

Low Voltage Directive	2014/35/EU (EN 60204-1:2018;EN 60529:1991)
RoHS Directive	2011/65/EU (EN 50581:2012)



Product description	<b>M12-A distributor box, Contacts: 5, unshielded, pluggable, IP68, UL listed, M12x1.0</b>
Area	<b>M12-A series 765</b>
Part no.	<b>79 5256 100 05</b>

## Security notices

The connectors have been developed for applications in plant engineering, control and electrical equipment construction. The user is responsible for checking whether the connectors can also be used in other areas of application.

Plug connectors with enclosure protection IP 67 and IP 68 are not suitable for use under water. When used outdoors, the plug connectors must be protected separately against corrosion. For further information on the IP protection classes, please refer to the "Technical Information" download centre.

To lock the cable connector with the device connector, the threaded ring is tightened "hand-tight" (approx. 60 cNm).