
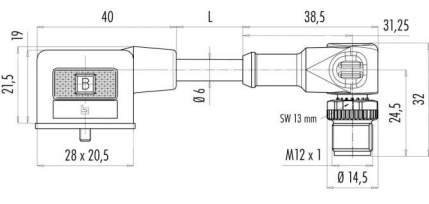
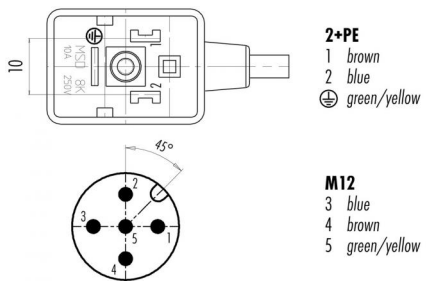


| | |
|---------------------|--|
| Product description | Size B (DIN EN 175301-803) connecting cord, Contacts: 2+PE, unshielded, screw clamp, IP67, PUR black, 3 x 0.75 mm ² |
| Area | Size B (DIN EN 175301-803) series 220 |
| Order number | 79 5719 10 03 |

| Illustration | Scale drawing | Contact arrangement (Plug-in side) |
|---|--|---|
|  |  |  |

Technical data

General features

| | |
|---------------------------|-------------------------------|
| Order number | 79 5719 10 03 |
| Connector design | connecting cord |
| Cable length | 1 m |
| Version | connecting cable |
| Connector locking system | central bolt |
| Termination | screw clamp |
| Degree of protection | IP67 |
| Cross-sectional area | 0.75 mm ² / AWG 18 |
| Temperature range from/to | -25 °C / 85 °C |
| Mechanical operation | > 50 Mating cycles |
| Weight (g) | 84 |
| Customs tariff number | 85444290 |

Electrical parameters

| | |
|---------------------------|----------------------|
| Rated voltage | 250 V |
| Rated impulse voltage | 4000 V |
| Rated current (40 °C) | 4 A |
| Insulation resistance | ≥ 10 ¹⁰ Ω |
| Pollution degree | 3 |
| Overvoltage category | II |
| Insulating material group | II |
| EMC compliance | unshielded |

Material

| | |
|-----------------------|------------------------------|
| Housing material | PC |
| Contact body material | PA |
| Contact material | CuSn (bronze) / CuZn (brass) |
| Contact plating | Sn (tin) |
| REACH SVHC | CAS 7439-92-1 (Lead) |

Classifications

| | |
|-------------|-------------|
| eCl@ss 11.1 | 27-06-03-11 |
| ETIM 7.0 | EC001855 |

Declarations of conformity

| | |
|-----------------------|--|
| Low Voltage Directive | 2014/35/EU (EN 60204-1:2018;EN 60529:1991) |
|-----------------------|--|

Cable data

| | |
|---|--------------------------|
| Cable diameter | 6.0 mm |
| Cross section | 3 x 0.75 mm ² |
| Sheath material | PUR |
| Single-lead insulation | PVC |
| Single-lead structure | 24x0,2 mm |
| Cable color | black |
| Temperature range cable in move from/to | -5°C / +70°C |
| Temperature range cable fixed from/to | -25°C / +70°C |
| Halogen free | No |

| | |
|---------------------|--|
| Product description | Size B (DIN EN 175301-803) connecting cord, Contacts: 2+PE, unshielded, screw clamp, IP67, PUR black, 3 x 0.75 mm ² |
| Area | Size B (DIN EN 175301-803) series 220 |
| Order number | 79 5719 10 03 |

Security notices

The connector must not be plugged or unplugged under load. Non-observance and improper use can result in personal injury.

The connectors have been developed for applications in plant engineering, control and electrical equipment construction. The user is responsible for checking whether the connectors can also be used in other areas of application.

Connectors which are used in circuits with voltages dangerous to the touch may only be installed and used by, or under the supervision of, persons with electrical engineering training, taking into account the applicable regulations and standards.

Plug connectors with enclosure protection IP 67 and IP 68 are not suitable for use under water. When used outdoors, the plug connectors must be protected separately against corrosion. For further information on the IP protection classes, please refer to the "Technical Information" download centre. The user must take appropriate safety precautions to ensure that the connector cannot be accidentally disconnected. In addition, the user must ensure that the cable is suitably secured.