

Product data sheet

Miniature connectors

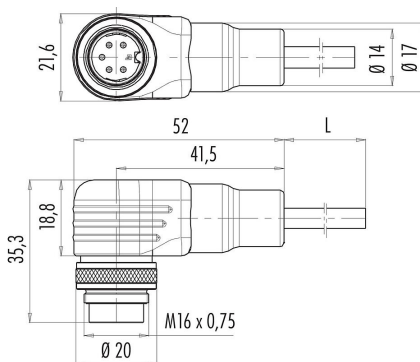


Product description	M16 IP67 male angled connector, Contacts: 5, unshielded, moulded cable, IP67, PUR black, 5 x 0.25 mm ²
Area	M16 IP67 series 425
Part no.	79 6213 200 05

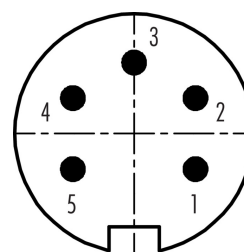
Illustration



Scale drawing



Contact arrangement (Plug-in side)



- 1 white
- 2 brown
- 3 blue
- 4 black
- 5 grey

Technical data

General features

Part no.	79 6213 200 05
Connector design	male angled connector
Cable length	2 m
Version	connector male angled
Connector locking system	screw
Termination	moulded cable
Degree of protection	IP67
Cross-sectional area	0.25 mm ² / AWG 24
Temperature range from/to	-25 °C / 70 °C
Mechanical operation	> 500 Mating cycles
Weight (g)	115.00
Customs tariff number	85444290

Electrical parameters

Rated voltage	250 V
Rated impulse voltage	1500 V
Rated current (40 °C)	3 A
Insulation resistance	≥ 10 ¹⁰ Ω
Pollution degree	1
Overvoltage category	I
Insulating material group	III
EMC compliance	unshielded

Product data sheet

Miniature connectors



Product description	M16 IP67 male angled connector, Contacts: 5, unshielded, moulded cable, IP67, PUR black, 5 x 0.25 mm ²
Area	M16 IP67 series 425
Part no.	79 6213 200 05

Material

Housing material	PUR
Contact body material	PBT (UL94 V-0)
Contact material	CuZn (brass)
Contact plating	Au (gold)
REACH SVHC	CAS 7439-92-1 (Lead)
SCIP number	1f0156d5-ead6-4189-9a99-0c58cd80f1ca

Classifications

eCl@ss 11.1	27-06-03-11
ETIM 7.0	EC001855

Declarations of conformity

Low Voltage Directive	2014/35/EU (EN 60204-1:2018;EN 60529:1991)
RoHS Directive	2011/65/EU (EN 50581:2012)

Cable data - Structure of the cable

Cable diameter	5.0 mm
Cross section	5 x 0.25 mm ²
Sheath material	PUR
Single-lead insulation	PVC
Single-lead structure	32x0.11 mm
Cable color	black

Cable data - Electrical properties

Conductor resistance	77.5 Ω/Km (20°C)
----------------------	------------------

Cable data - Mechanical properties

Bending radius, fixed cable	50 mm
Bending radius, moving cable	75 mm

Cable data - Thermal properties

Temperature range cable in move from/to	-5 °C / 70 °C
Temperature range cable fixed from/to	-25 °C / 70 °C

Cable data - Other features

Halogen free	No
--------------	----

Product description	M16 IP67 male angled connector, Contacts: 5, unshielded, moulded cable, IP67, PUR black, 5 x 0.25 mm²
Area	M16 IP67 series 425
Part no.	79 6213 200 05

Security notices

The connector must not be plugged or unplugged under load. Non-observance and improper use can result in personal injury.

The connectors have been developed for applications in plant engineering, control and electrical equipment construction. The user is responsible for checking whether the connectors can also be used in other areas of application.

Plug connectors with enclosure protection IP 67 and IP 68 are not suitable for use under water. When used outdoors, the plug connectors must be protected separately against corrosion. For further information on the IP protection classes, please refer to the "Technical Information" download centre.

The plug connector is not suitable for mains voltages. Please observe the pollution degree and the overvoltage category. For further information, please refer to the download center "Technical Information".

To lock the cable connector with the device connector, the threaded ring is tightened "hand-tight" (approx. 50 cNm).