

# Product data sheet

## Subminiature connectors

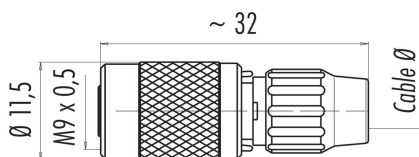


Product description	M9 IP40 female cable connector, Contacts: 4, 4.0 - 5.0 mm, unshielded, solder, IP40
Area	M9 IP40 series 711
Part no.	99 0080 102 04

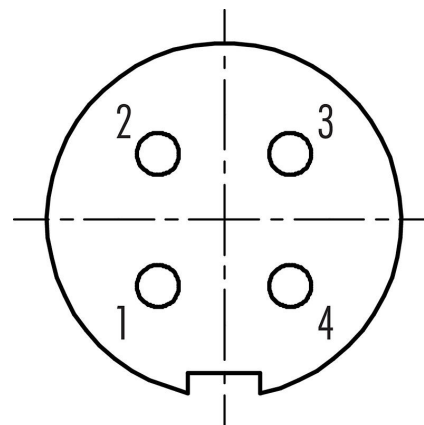
### Illustration



### Scale drawing



### Contact arrangement (Plug-in side)



You can find the component part drawing on the next page.

## Technical data

### General features

Part no.	99 0080 102 04
Connector design	female cable connector
Version	connector female straight
Connector locking system	screw
Termination	solder
Degree of protection	IP40
Cross-sectional area	max. 0.25 mm <sup>2</sup> / max. AWG 24
Cable outlet	4.0 - 5.0 mm
Temperature range from/to	-40 °C / 85 °C
Mechanical operation	> 500 Mating cycles
Weight (g)	6.01
Customs tariff number	85369010

### Electrical parameters

Rated voltage	125 V
Rated impulse voltage	1500 V
Rated current (40 °C)	3 A
Insulation resistance	≥ 10 <sup>10</sup> Ω
Pollution degree	1
Overvoltage category	II
Insulating material group	III

# Product data sheet

## Subminiature connectors

Product description M9 IP40 female cable connector, Contacts: 4, 4.0 - 5.0 mm, unshielded, solder, IP40

Area M9 IP40 series 711  
Part no. 99 0080 102 04

EMC compliance unshielded

### Material

Housing material	PA
Contact body material	PA (UL94 V-0)
Contact material	CuSn (bronze)
Contact plating	Au (gold)
Locking material	CuZn (Brass nickel plated)
REACH SVHC	CAS 7439-92-1 (Lead)
SCIP number	6428d506-82b1-417d-afa5-7e3286b29c4d

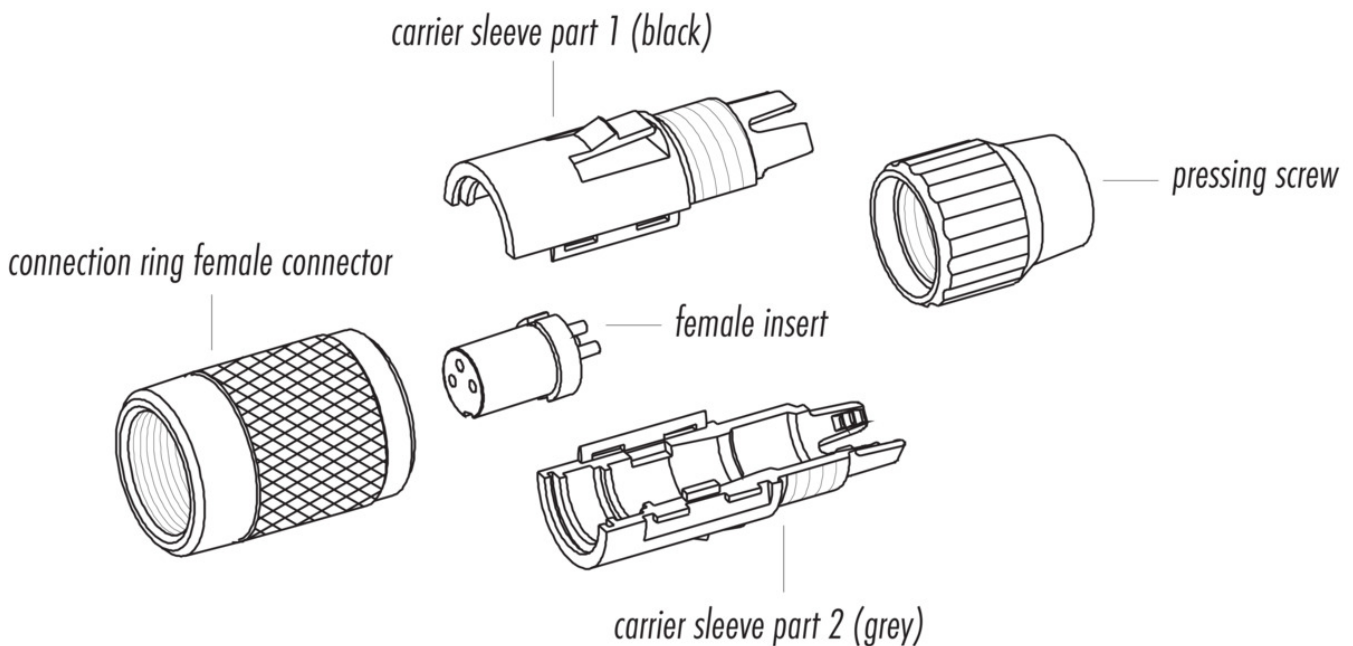
### Classifications

eCl@ss 11.1	27-44-01-02
ETIM 7.0	EC002635

### Declarations of conformity

Low Voltage Directive	2014/35/EU (EN 60204-1:2018;EN 60529:1991)
-----------------------	--

### Component part drawing



**Attention:** max. torque of ring nut in socket connector: 50cNm (manual adjustment)

Product description	<b>M9 IP40 female cable connector, Contacts: 4, 4.0 - 5.0 mm, unshielded, solder, IP40</b>
Area	<b>M9 IP40 series 711</b>
Part no.	<b>99 0080 102 04</b>

## **Security notices**

The connector must not be plugged or unplugged under load. Non-observance and improper use can result in personal injury.

The connectors have been developed for applications in plant engineering, control and electrical equipment construction. The user is responsible for checking whether the connectors can also be used in other areas of application.

Connectors which are used in circuits with voltages dangerous to the touch may only be installed and used by, or under the supervision of, persons with electrical engineering training, taking into account the applicable regulations and standards.

To lock the cable connector with the device connector, the threaded ring is tightened "hand-tight" (approx. 50 cNm).