

# Product data sheet

## Miniature connectors

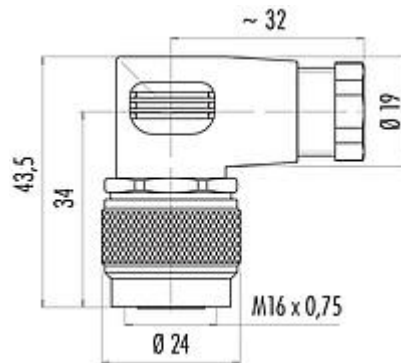


Product description	M16 IP67 Female angled connector, Contacts: 7, 4.0-6.0 mm, unshielded, solder, IP67
Area	M16 IP67 series 723
Part no.	99 0126 106 07

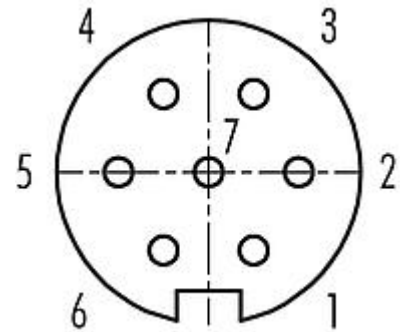
### Illustration



### Scale drawing



### Contact arrangement (Plug-in side)



You can find the assembly instructions on the next page.

## Technical data

### General features

Part no.	<b>99 0126 106 07</b>
Connector design	Female angled connector
Version	Connector socket angled
Connector locking system	screw
Termination	solder
Degree of protection	IP67
Cross-sectional area	max. 0.75 mm <sup>2</sup> / AWG 18
Cable outlet	4.0-6.0 mm
Twistability	90° (4 coding options)
Temperature range from/to	-40 °C / 95 °C
Tightening torque locking	0.4-0.5 Nm
Tightening torque pressing screw	0.7-0.9 Nm
Mechanical operation	> 500 Mating cycles
Weight (g)	40.87
Customs tariff number	85369010

### Electrical parameters

Rated voltage	125 V
Rated impulse voltage	800 V
Rated current (40 °C)	5.0 A
Insulation resistance	≥ 10 <sup>10</sup> Ω
Pollution degree	1
Overvoltage category	I

# Product data sheet

## Miniature connectors



Product description **M16 IP67 Female angled connector, Contacts: 7, 4.0-6.0 mm, unshielded, solder, IP67**

Area **M16 IP67 series 723**  
Part no. **99 0126 106 07**

Insulating material group **III**  
EMC compliance **unshielded**

### Material

Housing material **PA**  
Contact body material **PBT (UL94 V-0)**  
Contact material **CuSn (bronze)**  
Contact plating **Ag (silver)**  
REACH SVHC **CAS 96-45-7 (Imidazolidine-2-thione)  
CAS 7439-92-1 (Lead)**  
SCIP number **SCIP-number not available**

### Classifications

eCl@ss 11.1 **27-44-01-02**  
ETIM 7.0 **EC002635**

### Declarations of conformity

Low Voltage Directive **2014/35/EU (EN 60204-1:2018;EN 60529:1991)**

# Product data sheet

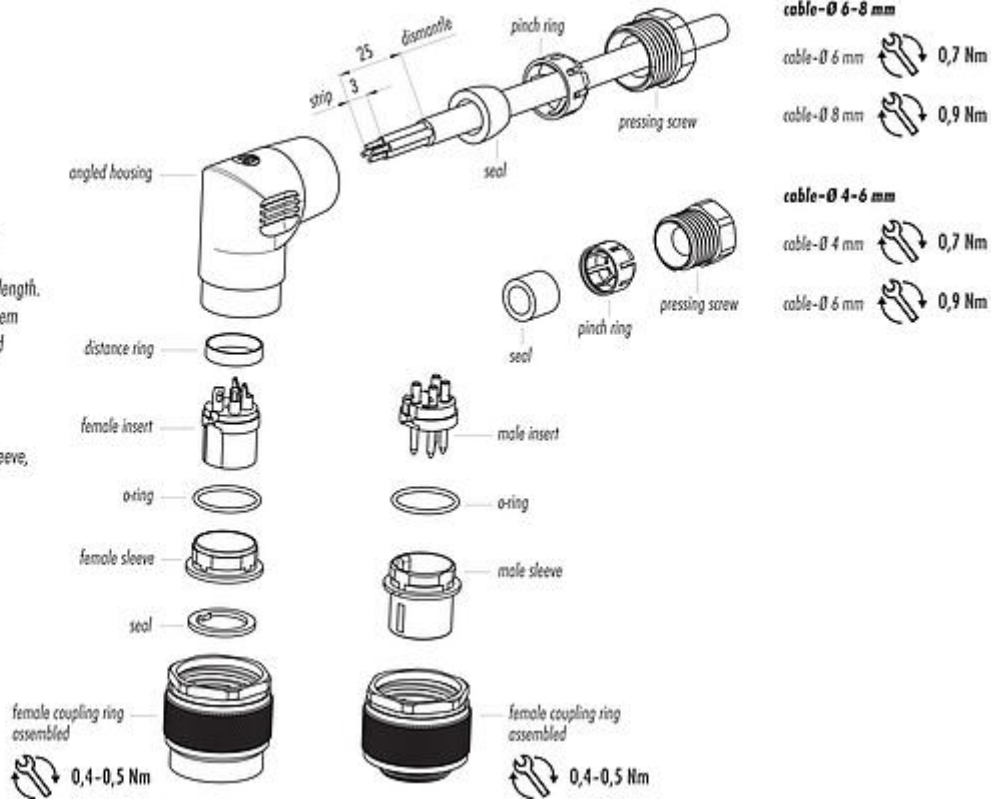
## Miniature connectors



Product description	M16 IP67 Female angled connector, Contacts: 7, 4.0-6.0 mm, unshielded, solder, IP67
Area	M16 IP67 series 723
Part no.	99 0126 106 07

### Assembly instructions

1. Bead pressing screw, pinch ring and seal to cable.
2. Dismantle cable to 25 mm length.
3. Strip single wires, thread them through angled housing and solder single wires.
4. Tighten pressing screw.
5. Fit o-ring onto sleeve.
6. Mount contact insert and sleeve, tighten coupling ring.



Product description	M16 IP67 Female angled connector, Contacts: 7, 4.0-6.0 mm, unshielded, solder, IP67
Area	M16 IP67 series 723
Part no.	99 0126 106 07

## Security notices

The connector must not be plugged or unplugged under load. Non-observance and improper use can result in personal injury.

The connectors have been developed for applications in plant engineering, control and electrical equipment construction. The user is responsible for checking whether the connectors can also be used in other areas of application.

Connectors which are used in circuits with voltages dangerous to the touch may only be installed and used by, or under the supervision of, persons with electrical engineering training, taking into account the applicable regulations and standards.

Plug connectors with enclosure protection IP67 and IP68 are not suitable for use under water. When used outdoors, the plug connectors must be protected separately against corrosion. For further information on the IP protection classes, please refer to the "Technical Information" download centre.

To lock the cable connector with the device connector, the threaded ring is tightened "hand-tight" (approx. 50 cNm).