

Product data sheet

Miniature connectors

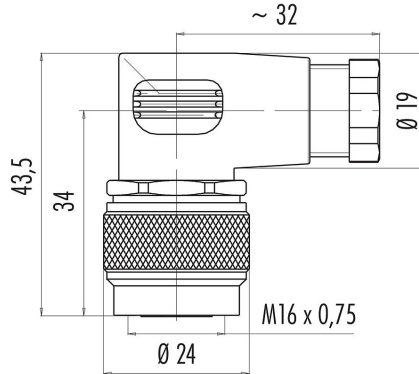


Product description	M16 IP67 female angled connector, Contacts: 12, 6.0 - 8.0 mm, unshielded, solder, IP67
Area	M16 IP67 series 723
Part no.	99 0130 75 12

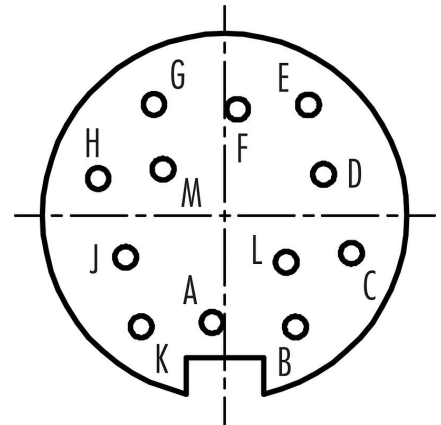
Illustration



Scale drawing



Contact arrangement (Plug-in side)



You can find the component part drawing on the next page.

Technical data

General features

Part no.	99 0130 75 12
Connector design	female angled connector
Version	female angled
Connector locking system	screw
Termination	solder
Degree of protection	IP67
Cross-sectional area	max. 0.25 mm ² / AWG 24
Cable outlet	6.0 - 8.0 mm
Twistability	90° (4 coding options)
Temperature range from/to	-40 °C / 95 °C
Mechanical operation	> 500 Mating cycles
Weight (g)	40.00
Customs tariff number	85369010

Electrical parameters

Rated voltage	60 V
Rated impulse voltage	500 V
Rated current (40 °C)	3,0 A
Insulation resistance	≥ 10 ¹⁰ Ω
Pollution degree	1
Overvoltage category	I

Product data sheet

Miniature connectors



Product description **M16 IP67 female angled connector, Contacts: 12, 6.0 - 8.0 mm, unshielded, solder, IP67**

Area **M16 IP67 series 723**
Part no. **99 0130 75 12**

Insulating material group **III**
EMC compliance **unshielded**

Material

Housing material **PA**
Contact body material **PBT (UL94 V-0)**
Contact material **CuSn (bronze)**
Contact plating **Au (gold)**
REACH SVHC **CAS 96-45-7 (Imidazolidine-2-thione)
CAS 7439-92-1 (Lead)**
SCIP number **93d90e9e-3ba9-4c00-bd1e-94f997a35370**

Classifications

eCl@ss 11.1 **27-44-01-02**
ETIM 7.0 **EC002635**

Declarations of conformity

Low Voltage Directive **2014/35/EU (EN 60204-1:2018;EN 60529:1991)**

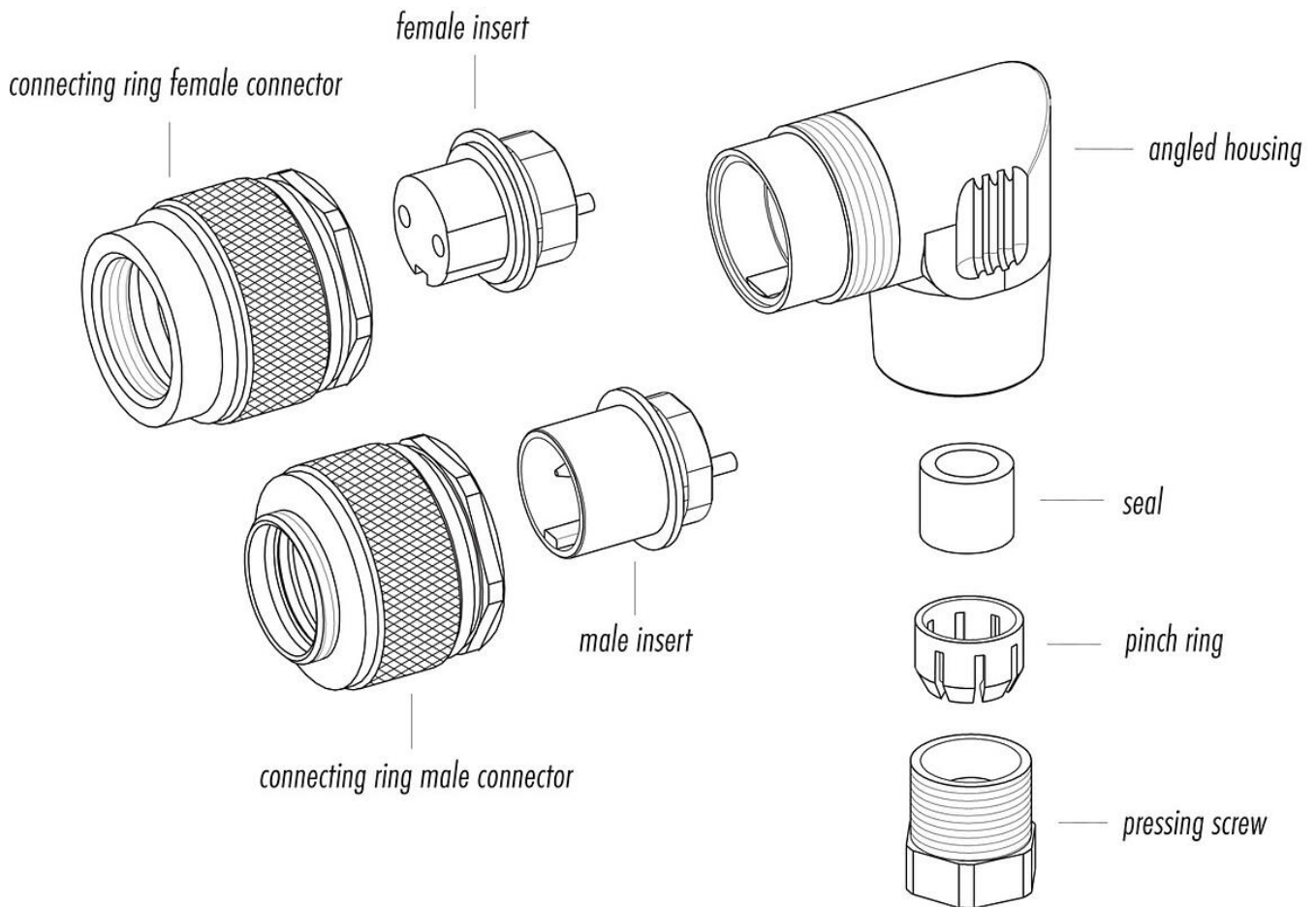
Product data sheet

Miniature connectors

Product description M16 IP67 female angled connector, Contacts: 12, 6.0 - 8.0 mm, unshielded, solder, IP67

Area M16 IP67 series 723
Part no. 99 0130 75 12

Component part drawing



Product description	M16 IP67 female angled connector, Contacts: 12, 6.0 - 8.0 mm, unshielded, solder, IP67
Area	M16 IP67 series 723
Part no.	99 0130 75 12

Security notices

The connectors have been developed for applications in plant engineering, control and electrical equipment construction. The user is responsible for checking whether the connectors can also be used in other areas of application.

Plug connectors with enclosure protection IP 67 and IP 68 are not suitable for use under water. When used outdoors, the plug connectors must be protected separately against corrosion. For further information on the IP protection classes, please refer to the "Technical Information" download centre.

To lock the cable connector with the device connector, the threaded ring is tightened "hand-tight" (approx. 50 cNm).