

Product data sheet

Miniature connectors

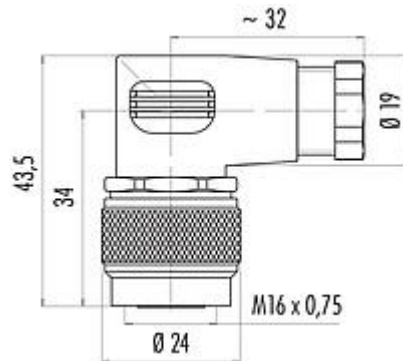


Product description	M16 IP67 Female angled connector, Contacts: 8 DIN, 4.0-6.0 mm, unshielded, solder, IP67
Area	M16 IP67 series 723
Part no.	99 0172 106 08

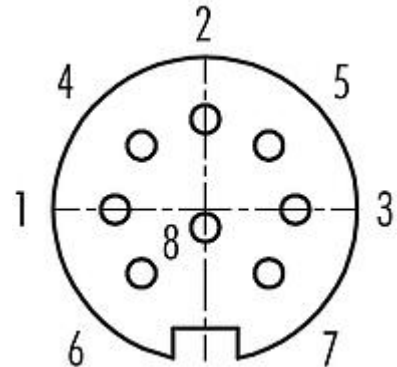
Illustration



Scale drawing



Contact arrangement (Plug-in side)



You can find the assembly instructions on the next page.

Technical data

General features

Part no.	99 0172 106 08
Connector design	Female angled connector
Version	Connector socket angled
Connector locking system	screw
Termination	solder
Degree of protection	IP67
Cross-sectional area	max. 0.75 mm ² / AWG 18
Cable outlet	4.0-6.0 mm
Twistability	90° (4 coding options)
Temperature range from/to	-40 °C / 95 °C
Tightening torque locking	0.4-0.5 Nm
Tightening torque pressing screw	0.7-0.9 Nm
Mechanical operation	> 500 Mating cycles
Weight (g)	40.32
Customs tariff number	85369010

Electrical parameters

Rated voltage	60 V
Rated impulse voltage	500 V
Rated current (40 °C)	5.0 A
Insulation resistance	≥ 10 ¹⁰ Ω
Pollution degree	1

Product data sheet

Miniature connectors



Product description	M16 IP67 Female angled connector, Contacts: 8 DIN, 4.0-6.0 mm, unshielded, solder, IP67
Area	M16 IP67 series 723
Part no.	99 0172 106 08

Overvoltage category	I
Insulating material group	III
EMC compliance	unshielded

Material

Housing material	PA
Contact body material	PBT (UL94 V-0)
Contact material	CuSn (bronze)
Contact plating	Ag (silver)
REACH SVHC	CAS 96-45-7 (Imidazolidine-2-thione) CAS 7439-92-1 (Lead)
SCIP number	SCIP-number not available

Classifications

eCl@ss 11.1	27-44-01-02
ETIM 7.0	EC002635

Declarations of conformity

Low Voltage Directive	2014/35/EU (EN 60204-1:2018;EN 60529:1991)
-----------------------	--

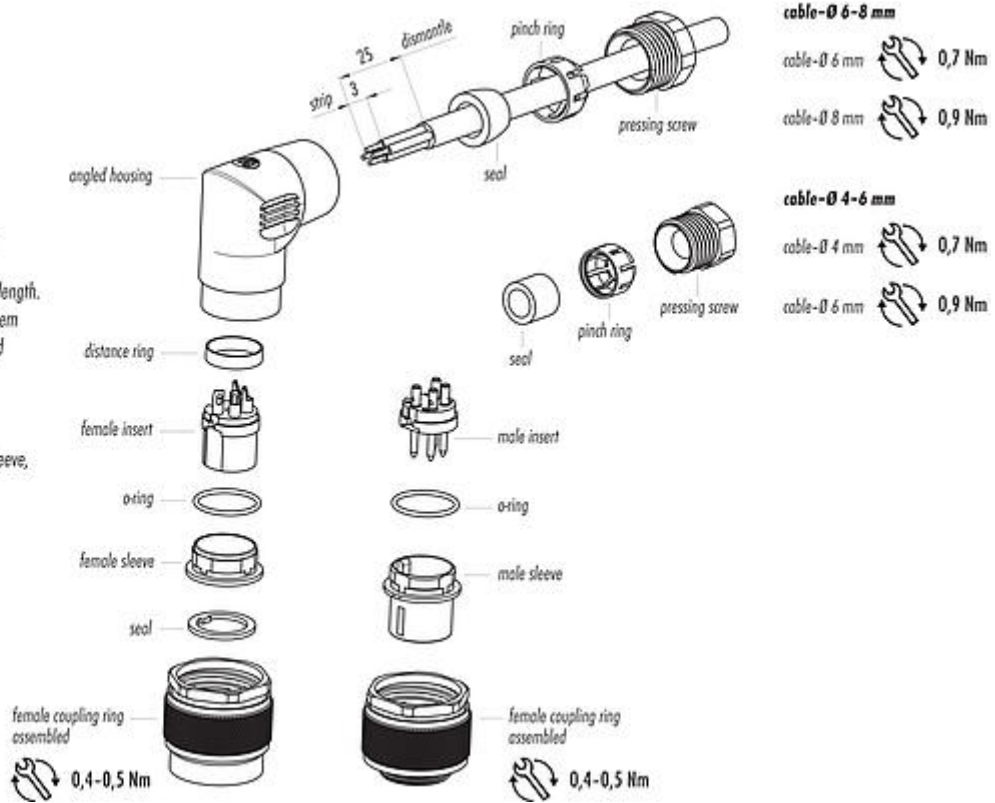
Product data sheet

Miniature connectors

Product description	M16 IP67 Female angled connector, Contacts: 8 DIN, 4.0-6.0 mm, unshielded, solder, IP67
Area	M16 IP67 series 723
Part no.	99 0172 106 08

Assembly instructions

1. Bead pressing screw, pinch ring and seal to cable.
2. Dismantle cable to 25 mm length.
3. Strip single wires, thread them through angled housing and solder single wires.
4. Tighten pressing screw.
5. Fit o-ring onto sleeve.
6. Mount contact insert and sleeve, tighten coupling ring.



Product description	M16 IP67 Female angled connector, Contacts: 8 DIN, 4.0-6.0 mm, unshielded, solder, IP67
Area	M16 IP67 series 723
Part no.	99 0172 106 08

Security notices

The connectors have been developed for applications in plant engineering, control and electrical equipment construction. The user is responsible for checking whether the connectors can also be used in other areas of application.

Plug connectors with enclosure protection IP67 and IP68 are not suitable for use under water. When used outdoors, the plug connectors must be protected separately against corrosion. For further information on the IP protection classes, please refer to the "Technical Information" download centre.

To lock the cable connector with the device connector, the threaded ring is tightened "hand-tight" (approx. 50 cNm).