

# Product data sheet

## Power connectors

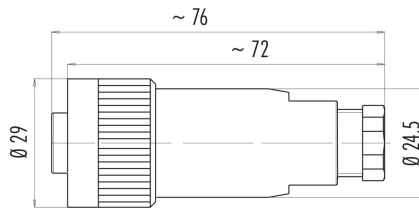


Product description	RD24 female cable connector, Contacts: 6+PE, 6.0 - 8.0 mm, unshielded, crimping (Crimp contacts must be ordered separately), IP67, PG9
Area	RD24 series 692
Part no.	99 0202 00 07

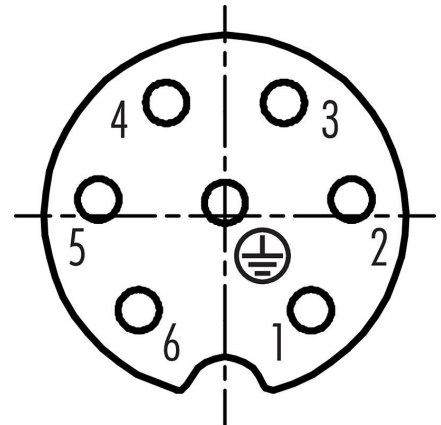
### Illustration



### Scale drawing



### Contact arrangement (Plug-in side)



You can find the component part drawing and assembly instructions on the next page.

## Technical data

### General features

Part no.	99 0202 00 07
Connector design	female cable connector
Version	connector female straight
Connector locking system	screw
Termination	crimping ( <a href="#">Crimp contacts must be ordered separately</a> )
Degree of protection	IP67 IP65 with cable diameter 6-7 mm
Cross-sectional area	<a href="#">see crimp contacts under accessories</a>
Cable outlet	6.0 - 8.0 mm
Temperature range from/to	-40 °C / 100 °C
Mechanical operation	> 500 Mating cycles
Weight (g)	27.89
Customs tariff number	85369010

### Electrical parameters

Rated voltage	250 V
Rated impulse voltage	4000 V
Rated current (40 °C)	10 A
Insulation resistance	$\geq 10^{10} \Omega$
Pollution degree	3
Overvoltage category	III
Insulating material group	III

# Product data sheet

## Power connectors

Product description	RD24 female cable connector, Contacts: 6+PE, 6.0 - 8.0 mm, unshielded, crimping (Crimp contacts must be ordered separately), IP67, PG9
Area	RD24 series 692
Part no.	99 0202 00 07

EMC compliance unshielded

### Material

Contact body material	PBT (UL94 V-0)
Contact material	depending on crimp contact (accessory)
Contact plating	Ag (silver)
REACH SVHC	CAS 96-45-7 (Imidazolidine-2-thione)
SCIP number	6f34f342-92dc-48ed-a3a3-79ce50e7144a

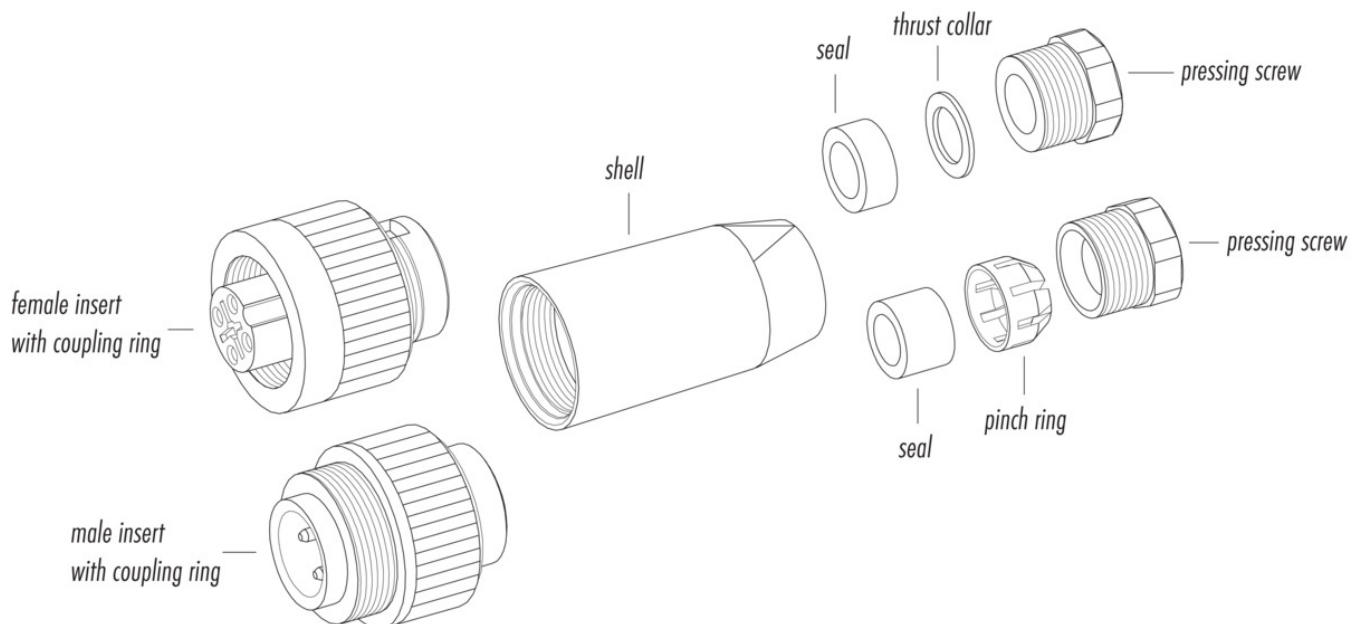
### Classifications

eCl@ss 11.1	27-44-01-02
ETIM 7.0	EC002635

### Declarations of conformity

Low Voltage Directive	2014/35/EU (EN 60204-1:2018;EN 60529:1991)
-----------------------	--

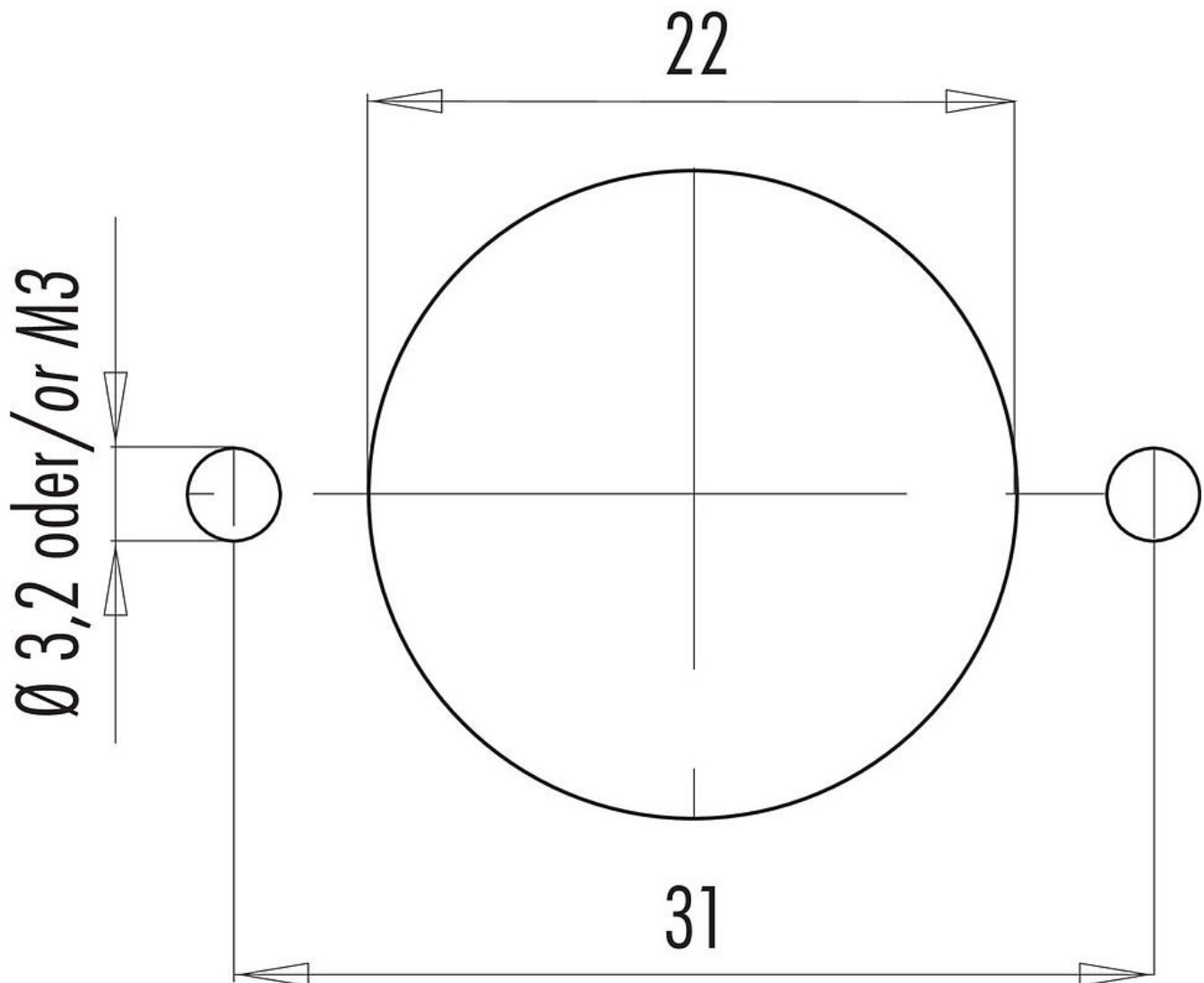
### Component part drawing



Product description RD24 female cable connector, Contacts: 6+PE, 6.0 - 8.0 mm, unshielded, crimping (Crimp contacts must be ordered separately), IP67, PG9

Area RD24 series 692  
Part no. 99 0202 00 07

### Assembly instructions / Panel cut-out



Product description	<b>RD24 female cable connector, Contacts: 6+PE, 6.0 - 8.0 mm, unshielded, crimping (Crimp contacts must be ordered separately), IP67, PG9</b>
Area	<b>RD24 series 692</b>
Part no.	<b>99 0202 00 07</b>

## Security notices

The connector must not be plugged or unplugged under load. Non-observance and improper use can result in personal injury.

The connectors have been developed for applications in plant engineering, control and electrical equipment construction. The user is responsible for checking whether the connectors can also be used in other areas of application.

To protect against unintentional opening of the connector, the thread between the housing and the connector head must be secured with a suitable cyanoacrylate adhesive when used in circuits with voltages dangerous to the touch. This does not apply to connectors used in SELV and PELV circuits according to IEC 61140 (EN 61140, VDE 0140-1).

Connectors which are used in circuits with voltages dangerous to the touch may only be installed and used by, or under the supervision of, persons with electrical engineering training, taking into account the applicable regulations and standards.

Plug connectors with enclosure protection IP 67 and IP 68 are not suitable for use under water. When used outdoors, the plug connectors must be protected separately against corrosion. For further information on the IP protection classes, please refer to the "Technical Information" download centre.

To lock the cable connector with the device connector, the threaded ring is tightened "hand-tight" (approx. 50 cNm).