

Product data sheet

Power connectors

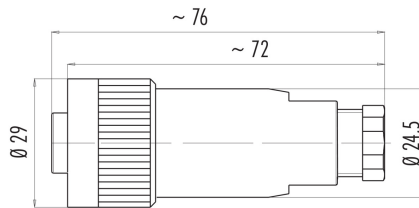


Product description	RD24 female cable connector, Contacts: 6+PE, 6.0 - 9.5 mm, unshielded, solder, IP67, PG9
Area	RD24 series 692
Part no.	99 0214 00 07

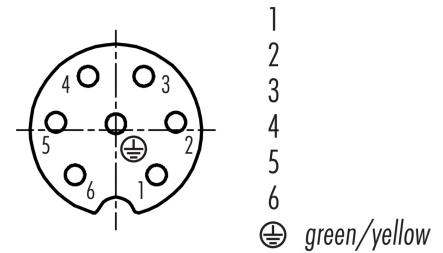
Illustration



Scale drawing



Contact arrangement (Plug-in side)



You can find the component part drawing and assembly instructions on the next page.

Technical data

General features

Part no.	99 0214 00 07
Connector design	female cable connector
Version	connector female straight
Connector locking system	screw
Termination	solder
Degree of protection	IP67 IP65 with cable diameter 6-7 mm
Cross-sectional area	max. 0.75 mm ² / max. AWG 18
Cable outlet	6.0 - 9.5 mm
Temperature range from/to	-40 °C / 100 °C
Mechanical operation	> 500 Mating cycles
Weight (g)	31.49
Customs tariff number	85369010

Electrical parameters

Rated voltage	250 V
Rated impulse voltage	4000 V
Rated current (40 °C)	10 A
Insulation resistance	≥ 10 ¹⁰ Ω
Pollution degree	3
Overvoltage category	III
Insulating material group	III
EMC compliance	unshielded

Product data sheet

Power connectors

Product description	RD24 female cable connector, Contacts: 6+PE, 6.0 - 9.5 mm, unshielded, solder, IP67, PG9
Area	RD24 series 692
Part no.	99 0214 00 07

Material

Contact body material	PBT (UL94 V-0)
Contact material	CuSn (bronze)
Contact plating	Ag (silver)
REACH SVHC	CAS 7439-92-1 (Lead)
SCIP number	8c2e722c-d7a4-4cf4-bbdd-348585aab64e

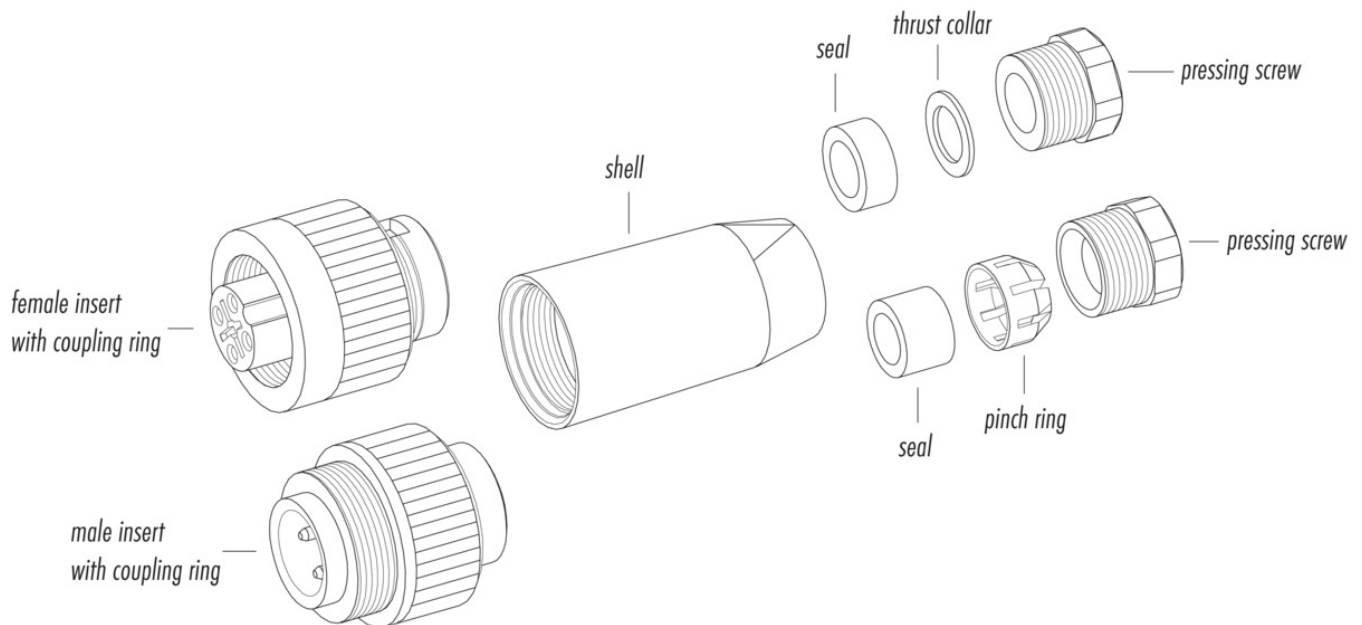
Classifications

eCl@ss 11.1	27-44-01-02
ETIM 7.0	EC002635

Declarations of conformity

Low Voltage Directive	2014/35/EU (EN 60204-1:2018;EN 60529:1991)
-----------------------	--

Component part drawing



Product description	RD24 female cable connector, Contacts: 6+PE, 6.0 - 9.5 mm, unshielded, solder, IP67, PG9
Area	RD24 series 692
Part no.	99 0214 00 07

Assembly instructions / Panel cut-out



Product description	RD24 female cable connector, Contacts: 6+PE, 6.0 - 9.5 mm, unshielded, solder, IP67, PG9
Area	RD24 series 692
Part no.	99 0214 00 07

Security notices

The connector must not be plugged or unplugged under load. Non-observance and improper use can result in personal injury.

The connectors have been developed for applications in plant engineering, control and electrical equipment construction. The user is responsible for checking whether the connectors can also be used in other areas of application.

To protect against unintentional opening of the connector, the thread between the housing and the connector head must be secured with a suitable cyanoacrylate adhesive when used in circuits with voltages dangerous to the touch. This does not apply to connectors used in SELV and PELV circuits according to IEC 61140 (EN 61140, VDE 0140-1).

Connectors which are used in circuits with voltages dangerous to the touch may only be installed and used by, or under the supervision of, persons with electrical engineering training, taking into account the applicable regulations and standards.

Plug connectors with enclosure protection IP 67 and IP 68 are not suitable for use under water. When used outdoors, the plug connectors must be protected separately against corrosion. For further information on the IP protection classes, please refer to the "Technical Information" download centre.

To lock the cable connector with the device connector, the threaded ring is tightened "hand-tight" (approx. 50 cNm).