

Product data sheet

Subminiature connectors

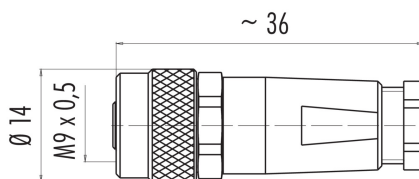


Product description	M9 IP67 female cable connector, Contacts: 4, 3.5 - 5.0 mm, shieldable, solder, IP67
Area	M9 IP67 series 712
Part no.	99 0410 10 04

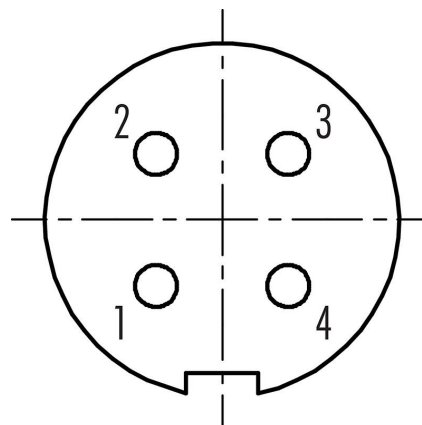
Illustration



Scale drawing



Contact arrangement (Plug-in side)



You can find the component part drawing and assembly instructions on the next page.

Technical data

General features

Part no.	99 0410 10 04
Connector design	female cable connector
Version	female straight
Connector locking system	screw
Termination	solder
Degree of protection	IP67
Cross-sectional area	max. 0.25 mm ² / AWG 24
Cable outlet	3.5 - 5.0 mm
Temperature range from/to	-40 °C / 85 °C
Mechanical operation	> 500 Mating cycles
Weight (g)	20.41
Customs tariff number	85369010

Electrical parameters

Rated voltage	125 V
Rated impulse voltage	1500 V
Rated current (40 °C)	3,0 A
Insulation resistance	≥ 10 ¹⁰ Ω
Pollution degree	1
Overvoltage category	II
Insulating material group	III

Product data sheet

Subminiature connectors

Product description **M9 IP67 female cable connector, Contacts: 4, 3.5 - 5.0 mm, shieldable, solder, IP67**

Area **M9 IP67 series 712**
Part no. **99 0410 10 04**

EMC compliance shieldable

Shield connection Shield cuff

Material

Housing material	PA/CuZn (Nickel-plated brass)
Contact body material	PA (UL94 V-0)
Contact material	CuSn (bronze)
Contact plating	Au (gold)
Locking material	CuZn (brass)
REACH SVHC	CAS 7439-92-1 (Lead)
SCIP number	ad33ddf4-058d-4f51-b2e0-5a4abbda12ff

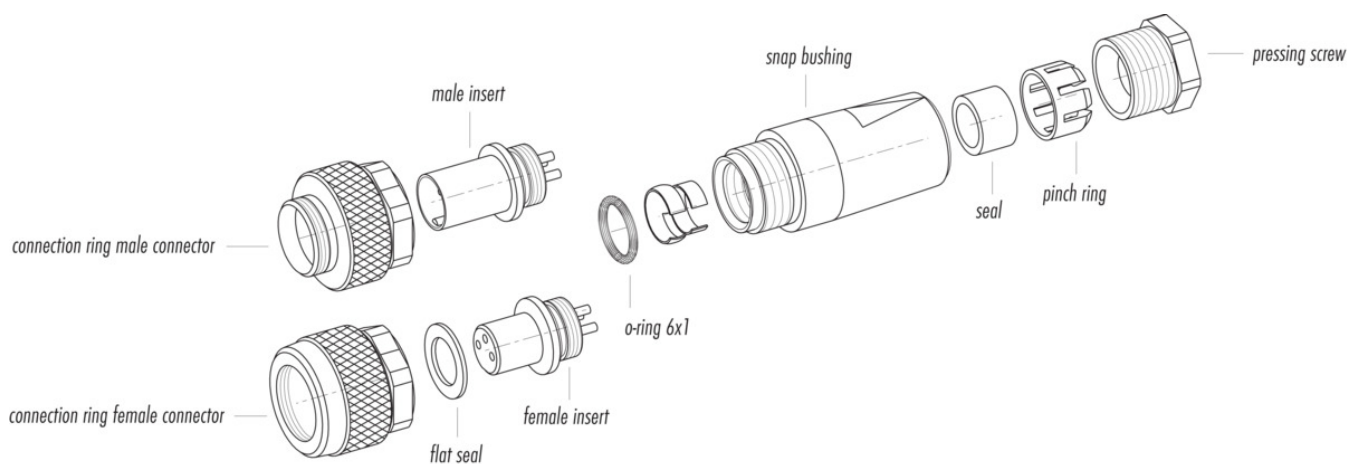
Classifications

eCl@ss 11.1	27-44-01-02
ETIM 7.0	EC002635

Declarations of conformity

Low Voltage Directive	2014/35/EU (EN 60204-1:2018;EN 60529:1991)
-----------------------	--

Component part drawing



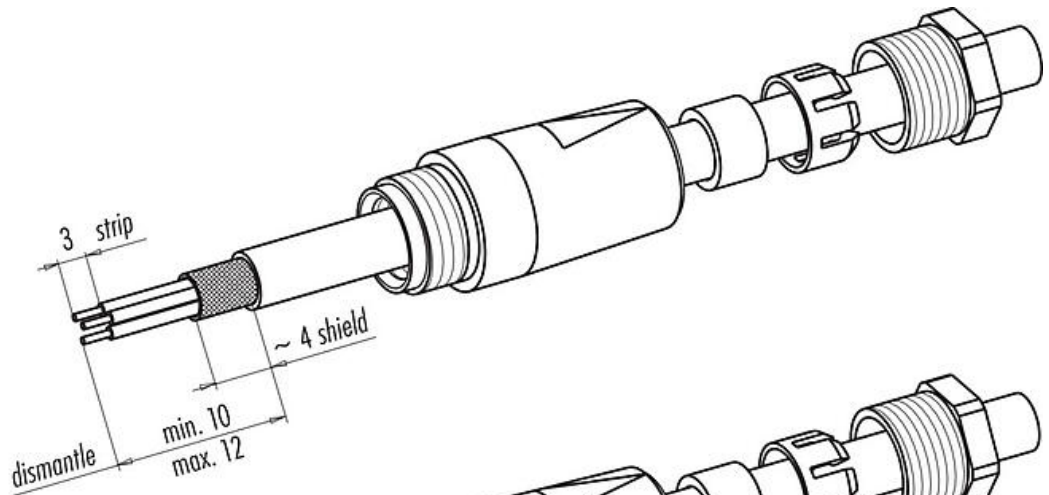
Product data sheet

Subminiature connectors

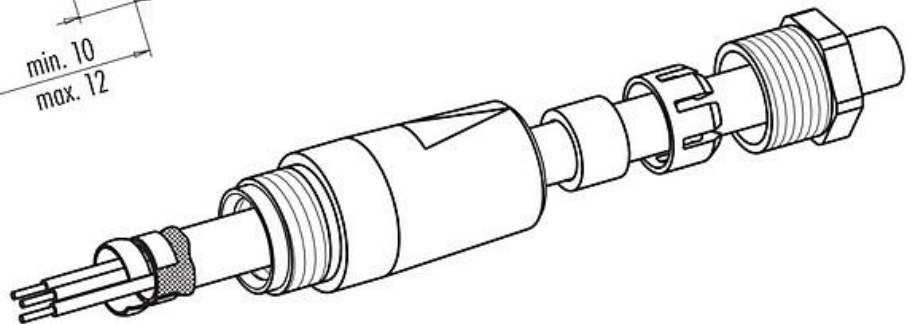
Product description	M9 IP67 female cable connector, Contacts: 4, 3.5 - 5.0 mm, shieldable, solder, IP67
Area	M9 IP67 series 712
Part no.	99 0410 10 04

Assembly instructions

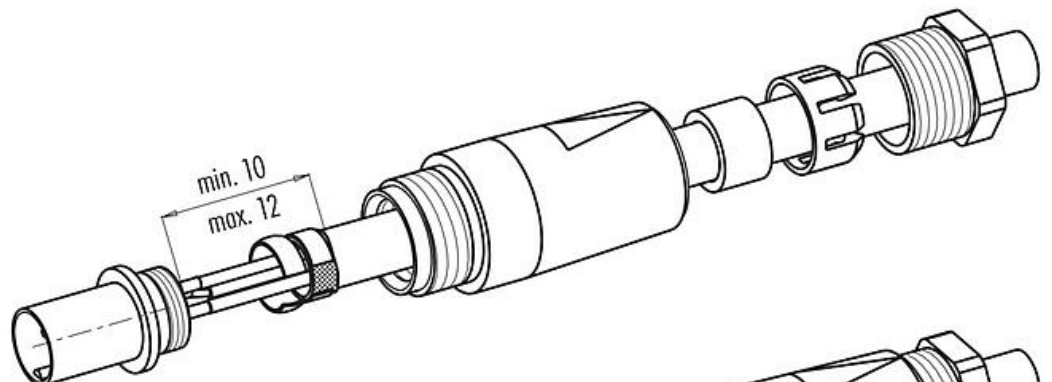
1. Bead parts, dismantle cable, shorten shield, strip wire



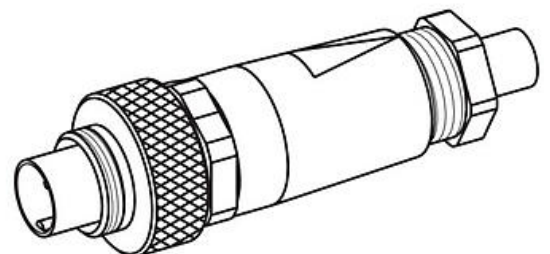
2. Fold shield back, fit collar to cable diameter and solder with shield



3. Cut off projecting shielding braid, solder insert



4. Mount remaining parts acc. to figure



Product description	M9 IP67 female cable connector, Contacts: 4, 3.5 - 5.0 mm, shieldable, solder, IP67
Area	M9 IP67 series 712
Part no.	99 0410 10 04

Security notices

The connector must not be plugged or unplugged under load. Non-observance and improper use can result in personal injury.

The connectors have been developed for applications in plant engineering, control and electrical equipment construction. The user is responsible for checking whether the connectors can also be used in other areas of application.

Connectors which are used in circuits with voltages dangerous to the touch may only be installed and used by, or under the supervision of, persons with electrical engineering training, taking into account the applicable regulations and standards.

Plug connectors with enclosure protection IP 67 and IP 68 are not suitable for use under water. When used outdoors, the plug connectors must be protected separately against corrosion. For further information on the IP protection classes, please refer to the "Technical Information" download centre.

To lock the cable connector with the device connector, the threaded ring is tightened "hand-tight" (approx. 50 cNm).