

Product data sheet

Subminiature connectors

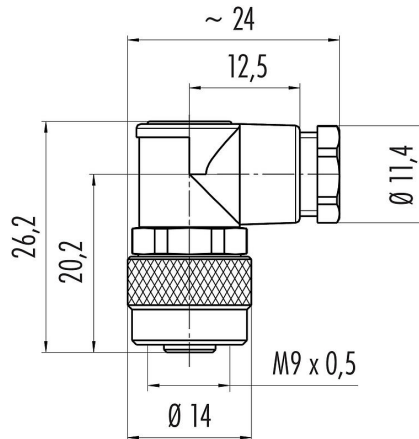


Product description	M9 IP67 female angled connector, Contacts: 8, 3.5 - 5.0 mm, unshielded, solder, IP67
Area	M9 IP67 series 712
Part no.	99 0426 70 08

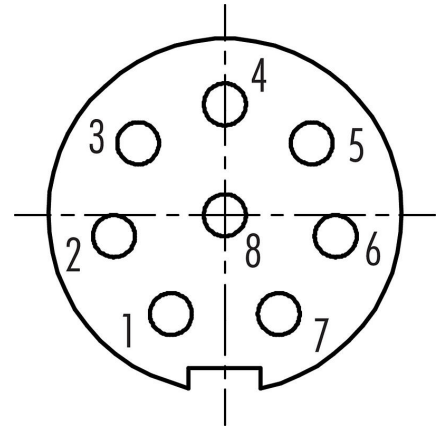
Illustration



Scale drawing



Contact arrangement (Plug-in side)



You can find the component part drawing on the next page.

Technical data

General features

Part no.	99 0426 70 08
Connector design	female angled connector
Version	female angled
Connector locking system	screw
Termination	solder
Degree of protection	IP67
Cross-sectional area	max. 0.14 mm ² / AWG 26
Cable outlet	3.5 - 5.0 mm
Twistability	180° (2 coding options)
Temperature range from/to	-40 °C / 85 °C
Mechanical operation	> 500 Mating cycles
Weight (g)	10.51
Customs tariff number	85369010

Electrical parameters

Rated voltage	125 V
Rated impulse voltage	1500 V
Rated current (40 °C)	1,0 A
Insulation resistance	≥ 10 ¹⁰ Ω
Pollution degree	1
Overvoltage category	II

Product data sheet

Subminiature connectors



Product description **M9 IP67 female angled connector, Contacts: 8, 3.5 - 5.0 mm, unshielded, solder, IP67**

Area **M9 IP67 series 712**
Part no. **99 0426 70 08**

Insulating material group **III**
EMC compliance **unshielded**

Material

Housing material **PA/CuZn (Nickel-plated brass)**
Contact body material **PA (UL94 V-0)**
Contact material **CuSn (bronze)**
Contact plating **Au (gold)**
Locking material **CuZn (brass)**
REACH SVHC **CAS 7439-92-1 (Lead)**
SCIP number **e705a52e-4624-472d-a2fb-5263beb5dbc7**

Classifications

eCl@ss 11.1 **27-44-01-02**
ETIM 7.0 **EC002635**

Declarations of conformity

Low Voltage Directive **2014/35/EU (EN 60204-1:2018;EN 60529:1991)**

Product data sheet

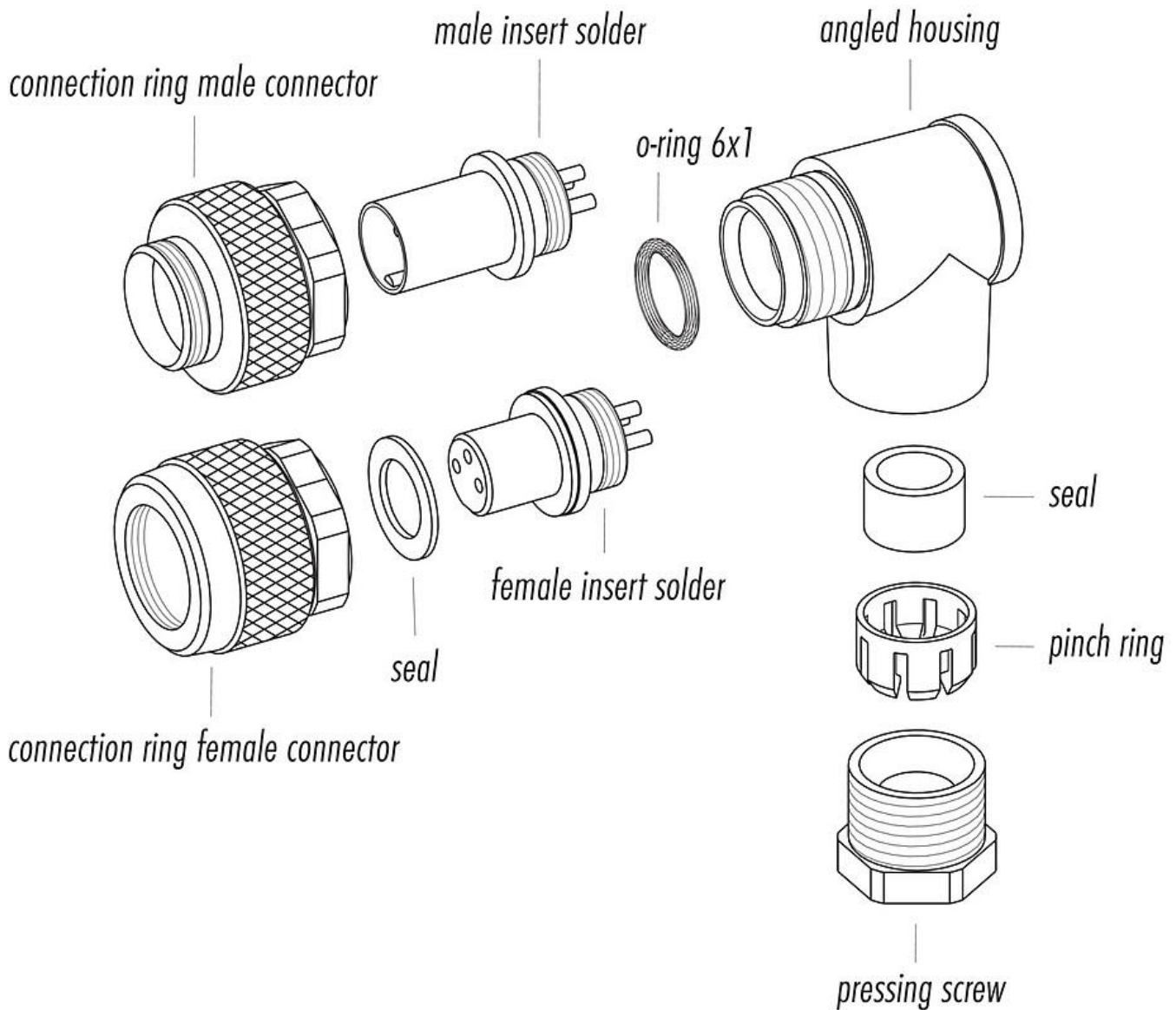
Subminiature connectors



Product description M9 IP67 female angled connector, Contacts: 8, 3.5 - 5.0 mm, unshielded, solder, IP67

Area M9 IP67 series 712
Part no. 99 0426 70 08

Component part drawing



Product description	M9 IP67 female angled connector, Contacts: 8, 3.5 - 5.0 mm, unshielded, solder, IP67
Area	M9 IP67 series 712
Part no.	99 0426 70 08

Security notices

The connector must not be plugged or unplugged under load. Non-observance and improper use can result in personal injury.

The connectors have been developed for applications in plant engineering, control and electrical equipment construction. The user is responsible for checking whether the connectors can also be used in other areas of application.

Connectors which are used in circuits with voltages dangerous to the touch may only be installed and used by, or under the supervision of, persons with electrical engineering training, taking into account the applicable regulations and standards.

Plug connectors with enclosure protection IP 67 and IP 68 are not suitable for use under water. When used outdoors, the plug connectors must be protected separately against corrosion. For further information on the IP protection classes, please refer to the "Technical Information" download centre.

To lock the cable connector with the device connector, the threaded ring is tightened "hand-tight" (approx. 50 cNm).