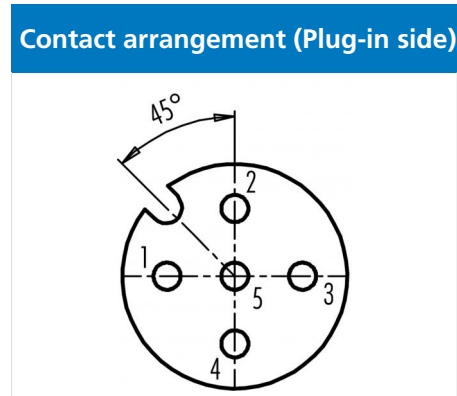
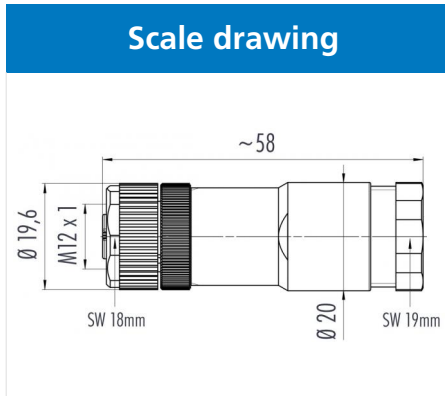


Product description	M12-A Duo female cable connector, Contacts: 5, 2 x 2: 1.0 - 3.0 mm / Ø 4.0 - 5.0 mm, unshielded, screw clamp, IP67, UL
Area	M12-A series 713
Order number	99 0436 142 05



You can find the component part drawing and assembly instructions on the next page.

Technical data

General features

Order number	99 0436 142 05
Connector design	Duo female cable connector
Version	connector female straight
Connector locking system	screw
Termination	screw clamp
Degree of protection	IP67
Cross-sectional area	max. 0.75 mm ² / max. AWG 18
Cable outlet	2 x 2: 1.0 - 3.0 mm / Ø 4.0 - 5.0 mm
Temperature range from/to	-40 °C / 85 °C
Mechanical operation	> 50 Mating cycles
Weight (g)	20.595
Customs tariff number	85369010

Electrical parameters

Rated voltage	60 V
Rated impulse voltage	1500 V
Rated current (40 °C)	4 A (3 A UL)
Insulation resistance	> 10 ⁸ Ω
Pollution degree	3
Overvoltage category	II
Insulating material group	III
EMC compliance	unshielded

Material

Housing material	PA
Contact body material	PA
Contact material	CuZn (brass)
Contact plating	CuSnZn (Optalloy)
Locking material	plastic
REACH SVHC	CAS 7439-92-1 (Lead)

Authorization/approvals

Approvals	UL
-----------	----

Classifications

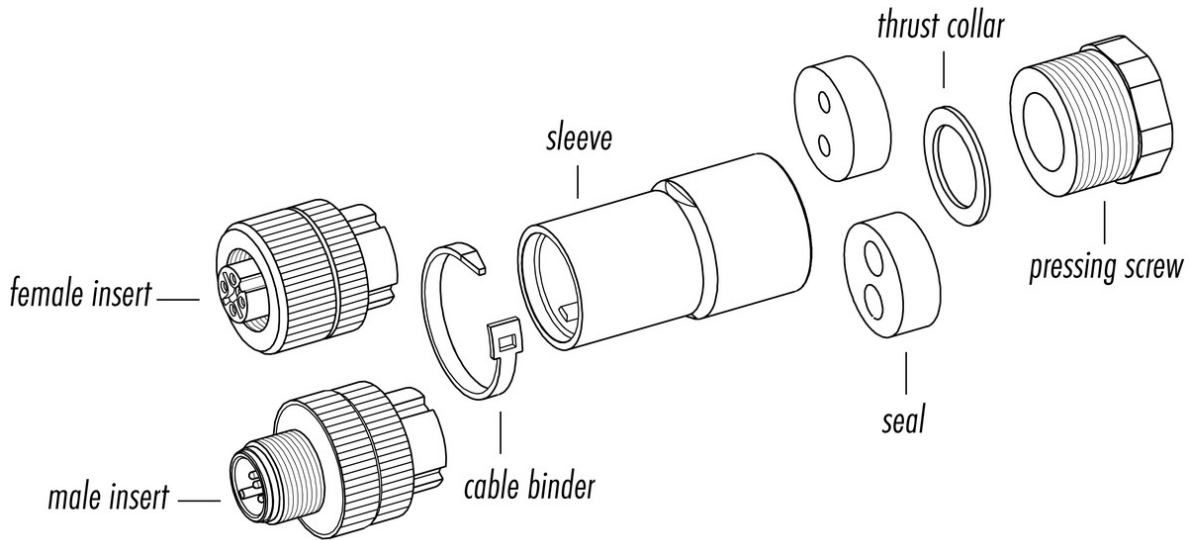
eCl@ss 11.1	27-44-01-02
ETIM 7.0	EC002635

Declarations of conformity

Low Voltage Directive	2014/35/EU (EN 60204-1:2018; EN 60529:1991)
-----------------------	---------------------------------------------

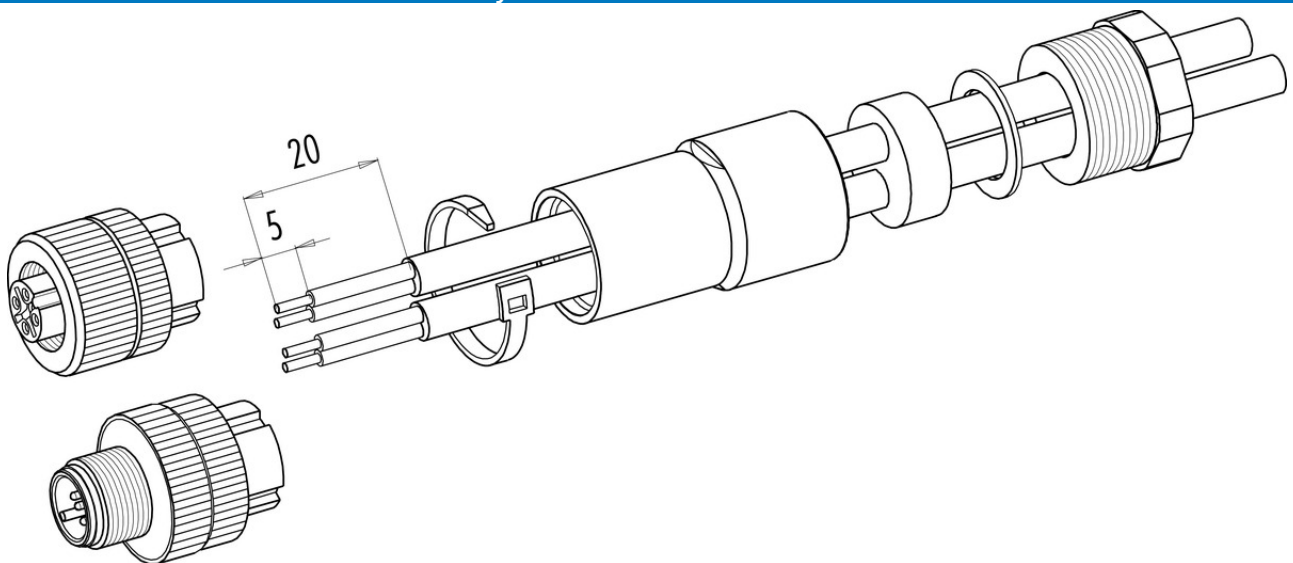
Product description	M12-A Duo female cable connector, Contacts: 5, 2 x 2: 1.0 - 3.0 mm / Ø 4.0 - 5.0 mm, unshielded, screw clamp, IP67, UL
Area	M12-A series 713
Order number	99 0436 142 05

Component part drawing



material of locking rings: plastic, zinc diecast, stainless steel

Assembly instructions / Panel cut-out



material of locking rings: plastic, zinc diecast, stainless steel

Product description	M12-A Duo female cable connector, Contacts: 5, 2 x 2: 1.0 - 3.0 mm / Ø 4.0 - 5.0 mm, unshielded, screw clamp, IP67, UL
Area	M12-A series 713
Order number	99 0436 142 05

Security notices

The connectors have been developed for applications in plant engineering, control and electrical equipment construction. The user is responsible for checking whether the connectors can also be used in other areas of application.

Plug connectors with enclosure protection IP 67 and IP 68 are not suitable for use under water. When used outdoors, the plug connectors must be protected separately against corrosion. For further information on the IP protection classes, please refer to the "Technical Information" download centre. To lock the cable connector with the device connector, the threaded ring is tightened "hand-tight" (approx. 60 cNm).