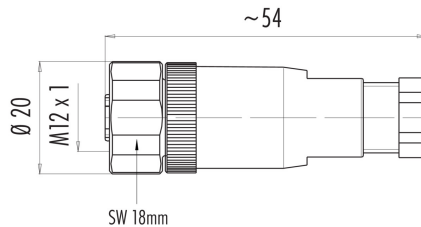


Product description	M12-A female cable connector, Contacts: 5, 6.0 - 8.0 mm, unshielded, screw clamp, IP67, UL, PG9
Area	M12-A series 713
Part no.	99 0436 282 05

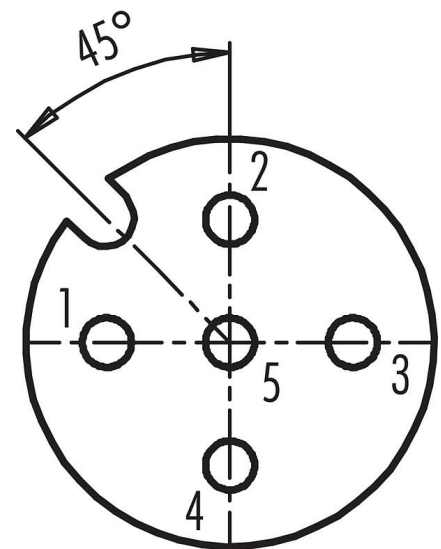
Illustration



Scale drawing



Contact arrangement (Plug-in side)



You can find the component part drawing and assembly instructions on the next page.

Technical data

General features

Part no.	99 0436 282 05
Connector design	female cable connector
Version	connector female straight
Connector locking system	screw
Termination	screw clamp
Degree of protection	IP67
Cross-sectional area	max. 0.75 mm ² / max. AWG 18
Cable outlet	6.0 - 8.0 mm
Temperature range from/to	-40 °C / 85 °C
Mechanical operation	> 100 Mating cycles
Weight (g)	26.96
Customs tariff number	85369010

Electrical parameters

Rated voltage	60 V
Rated impulse voltage	1500 V

Product data sheet

Automation technology - sensors and actuators



Product description	M12-A female cable connector, Contacts: 5, 6.0 - 8.0 mm, unshielded, screw clamp, IP67, UL, PG9
Area	M12-A series 713
Part no.	99 0436 282 05

Rated current (40 °C)	4 A (3 A UL)
Insulation resistance	> 10 ⁸ Ω
Pollution degree	3
Overvoltage category	II
Insulating material group	III
EMC compliance	unshielded

Material

Housing material	PA
Contact body material	PA
Contact material	CuZn (brass)
Contact plating	Au (gold)
Locking material	stainless steel
REACH SVHC	CAS 96-45-7 (Imidazolidine-2-thione) CAS 7439-92-1 (Lead)
SCIP number	SCIP-number not available

Authorization/approvals

Approvals	UL
-----------	----

Classifications

eCl@ss 11.1	27-44-01-02
ETIM 7.0	EC002635

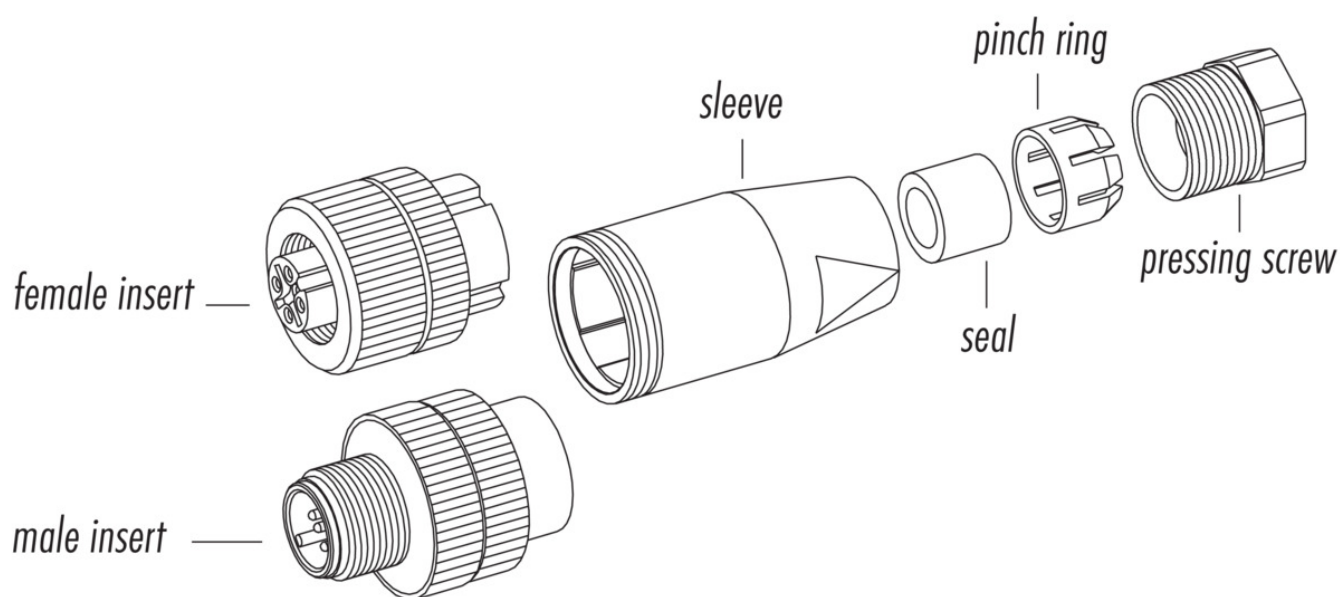
Declarations of conformity

Low Voltage Directive	2014/35/EU (EN 60204-1:2018;EN 60529:1991)
-----------------------	--

Product description M12-A female cable connector, Contacts: 5, 6.0 - 8.0 mm, unshielded, screw clamp, IP67, UL, PG9

Area M12-A series 713
Part no. 99 0436 282 05

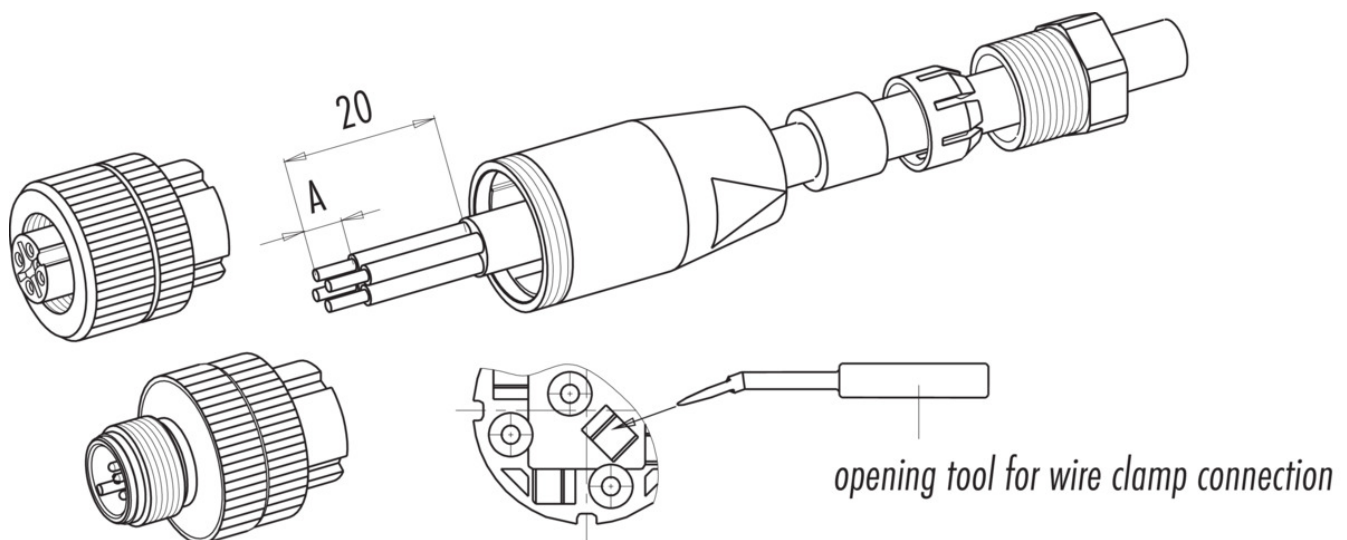
Component part drawing



material of locking rings: plastic, zinc diecast, stainless steel

Product description	M12-A female cable connector, Contacts: 5, 6.0 - 8.0 mm, unshielded, screw clamp, IP67, UL, PG9
Area	M12-A series 713
Part no.	99 0436 282 05

Assembly instructions



	<i>screw connection</i>	<i>solder version</i>	<i>wire clamp connection</i>
<i>measure A/mm</i>	5	3,5	7

material of locking rings: plastic, zinc diecast, stainless steel

Product description	M12-A female cable connector, Contacts: 5, 6.0 - 8.0 mm, unshielded, screw clamp, IP67, UL, PG9
Area	M12-A series 713
Part no.	99 0436 282 05

Security notices

The connectors have been developed for applications in plant engineering, control and electrical equipment construction. The user is responsible for checking whether the connectors can also be used in other areas of application.

Plug connectors with enclosure protection IP 67 and IP 68 are not suitable for use under water. When used outdoors, the plug connectors must be protected separately against corrosion. For further information on the IP protection classes, please refer to the "Technical Information" download centre.

To lock the cable connector with the device connector, the threaded ring is tightened "hand-tight" (approx. 60 cNm).