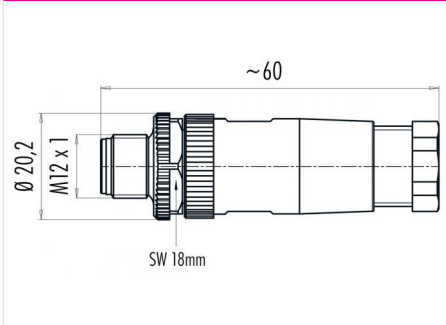


Product description	M12-B male cable connector, Contacts: 5, 6.0 - 8.0 mm, unshielded, screw clamp, IP67, UL
Area	M12-B series 715
Order number	99 0437 105 05

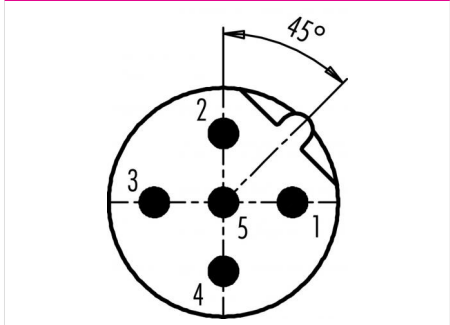
Illustration



Scale drawing



Contact arrangement (Plug-in side)



You can find the component part drawing and assembly instructions on the next page.

Technical data

General features

Order number	99 0437 105 05
Connector design	male cable connector
Version	connector male straight
Connector locking system	screw
Termination	screw clamp
Degree of protection	IP67
Cross-sectional area	max. 0.75 mm ² / max. AWG 18
Cable outlet	6.0 - 8.0 mm
Temperature range from/to	-40 °C / 85 °C
Mechanical operation	> 50 Mating cycles
Weight (g)	22.949
Customs tariff number	85369010

Material

Housing material	PA
Contact body material	PA
Contact material	CuZn (brass)
Contact plating	CuSnZn (Optalloy)
Locking material	Zinc die-cast nickel-plated
	CAS 7439-92-1 (Lead)
REACH SVHC	

Classifications

eCl@ss 11.1	27-44-01-02
ETIM 7.0	EC002635

Electrical parameters

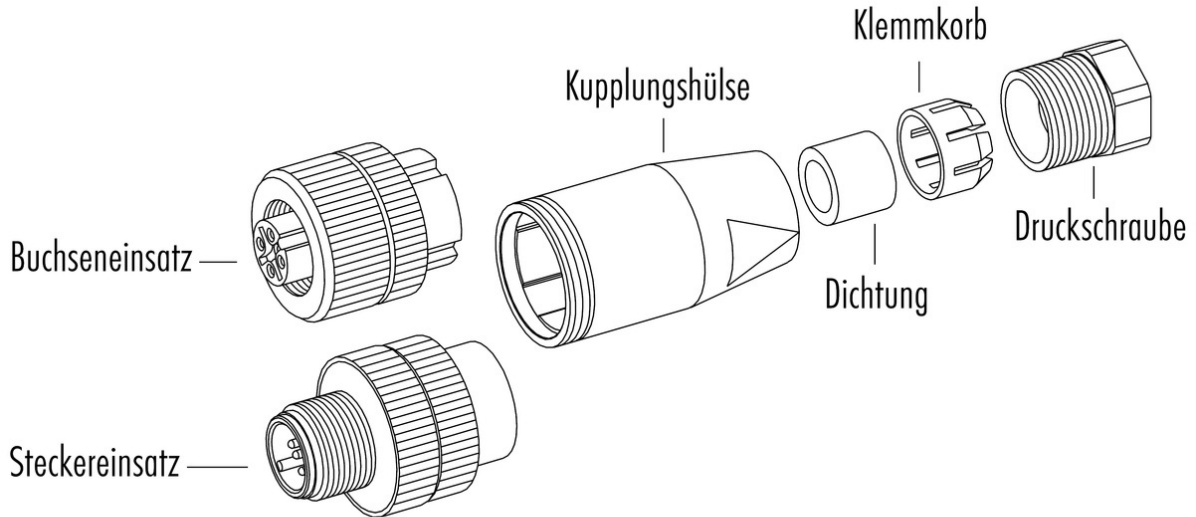
Rated voltage	60 V
Rated impulse voltage	1500 V
Rated current (40 °C)	4 A
Insulation resistance	≥ 10 ¹⁰ Ω
Pollution degree	3
Overvoltage category	II
Insulating material group	III
EMC compliance	unshielded

Declarations of conformity

Low Voltage Directive	2014/35/EU (EN 60204-1:2018;EN 60529:1991)
-----------------------	--

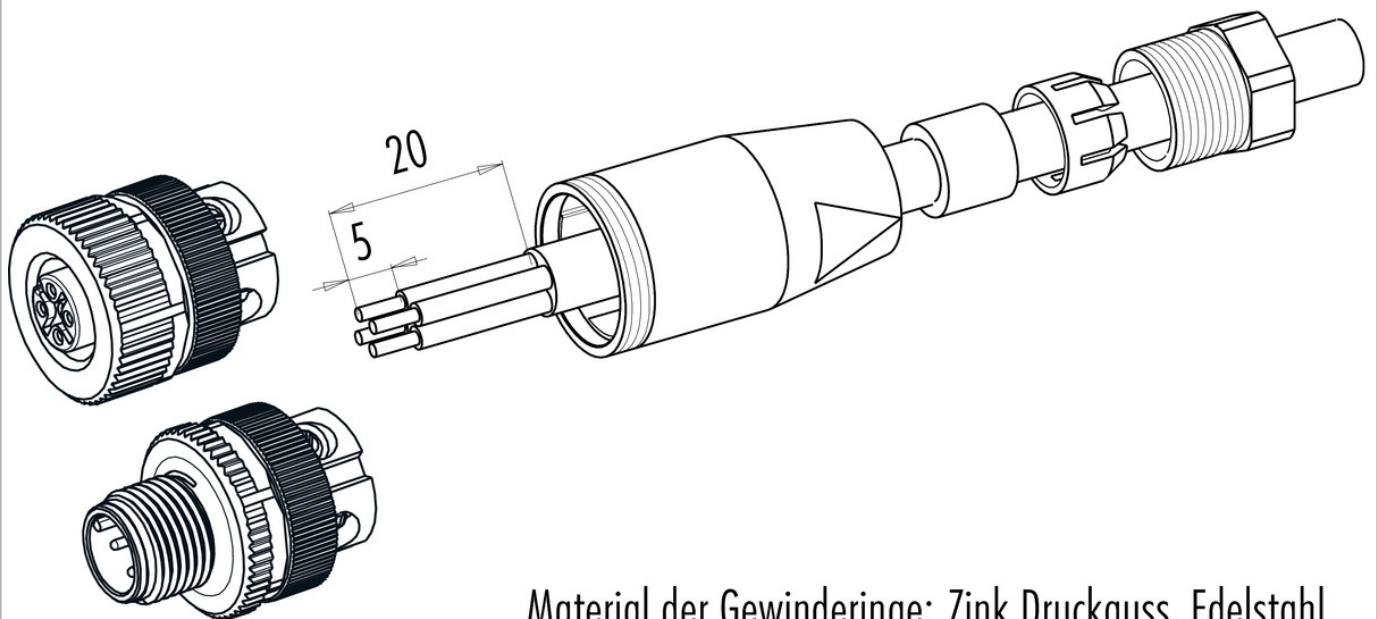
Product description	M12-B male cable connector, Contacts: 5, 6.0 - 8.0 mm, unshielded, screw clamp, IP67, UL
Area	M12-B series 715
Order number	99 0437 105 05

Component part drawing



Material der Gewinderinge: Zink Druckguss, Edelstahl

Assembly instructions / Panel cut-out



Material der Gewinderinge: Zink Druckguss, Edelstahl

Product description	M12-B male cable connector, Contacts: 5, 6.0 - 8.0 mm, unshielded, screw clamp, IP67, UL
Area	M12-B series 715
Order number	99 0437 105 05

Security notices

The connectors have been developed for applications in plant engineering, control and electrical equipment construction. The user is responsible for checking whether the connectors can also be used in other areas of application.

Plug connectors with enclosure protection IP 67 and IP 68 are not suitable for use under water. When used outdoors, the plug connectors must be protected separately against corrosion. For further information on the IP protection classes, please refer to the "Technical Information" download centre. To lock the cable connector with the device connector, the threaded ring is tightened "hand-tight" (approx. 60 cNm).