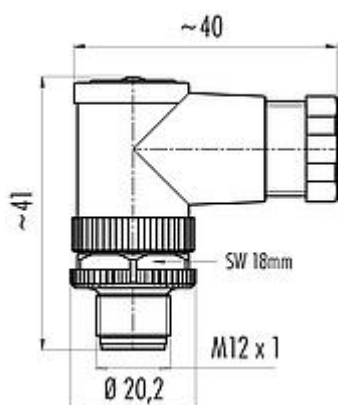


Product description	M12-B Male angled connector, Contacts: 5, 6.0 - 8.0 mm, unshielded, screw clamp, IP67, UL
Area	M12-B series 715
Part no.	99 0437 145 05

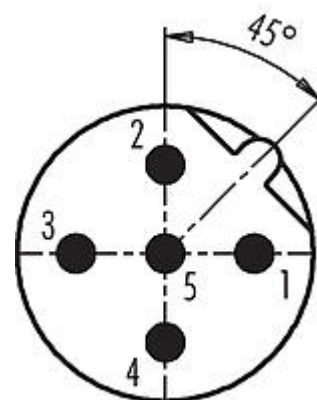
Illustration



Scale drawing



Contact arrangement (Plug-in side)



You can find the component part drawing and assembly instructions on the next page.

Technical data

General features

Part no.	99 0437 145 05
Connector design	Male angled connector
Version	male angled
Connector locking system	screw
Termination	screw clamp
Degree of protection	IP67
Cross-sectional area	max. 0.75 mm ² / AWG 18
Cable outlet	6.0 - 8.0 mm
Twistability	90° (4 coding options)
Temperature range from/to	-40 °C / 85 °C
Mechanical operation	> 50 Mating cycles
Weight (g)	24.27
Customs tariff number	85369010

Electrical parameters

Rated voltage	60 V
Rated impulse voltage	1500 V
Rated current (40 °C)	4,0 A
Insulation resistance	≥ 10 ¹⁰ Ω
Pollution degree	3

Product description	M12-B Male angled connector, Contacts: 5, 6.0 - 8.0 mm, unshielded, screw clamp, IP67, UL
Area	M12-B series 715
Part no.	99 0437 145 05

Overvoltage category	II
Insulating material group	III
EMC compliance	unshielded

Material

Housing material	PA
Contact body material	PA
Contact material	CuZn (brass)
Contact plating	CuSnZn (Optalloy)
Locking material	Zinc die-cast nickel-plated
REACH SVHC	CAS 96-45-7 (Imidazolidine-2-thione) CAS 7439-92-1 (Lead)
SCIP number	977a2ae1-c033-4063-93ca-0509efd34658

Authorization/approvals

Approvals	UL
-----------	----

Classifications

eCl@ss 11.1	27-44-01-02
ETIM 7.0	EC002635

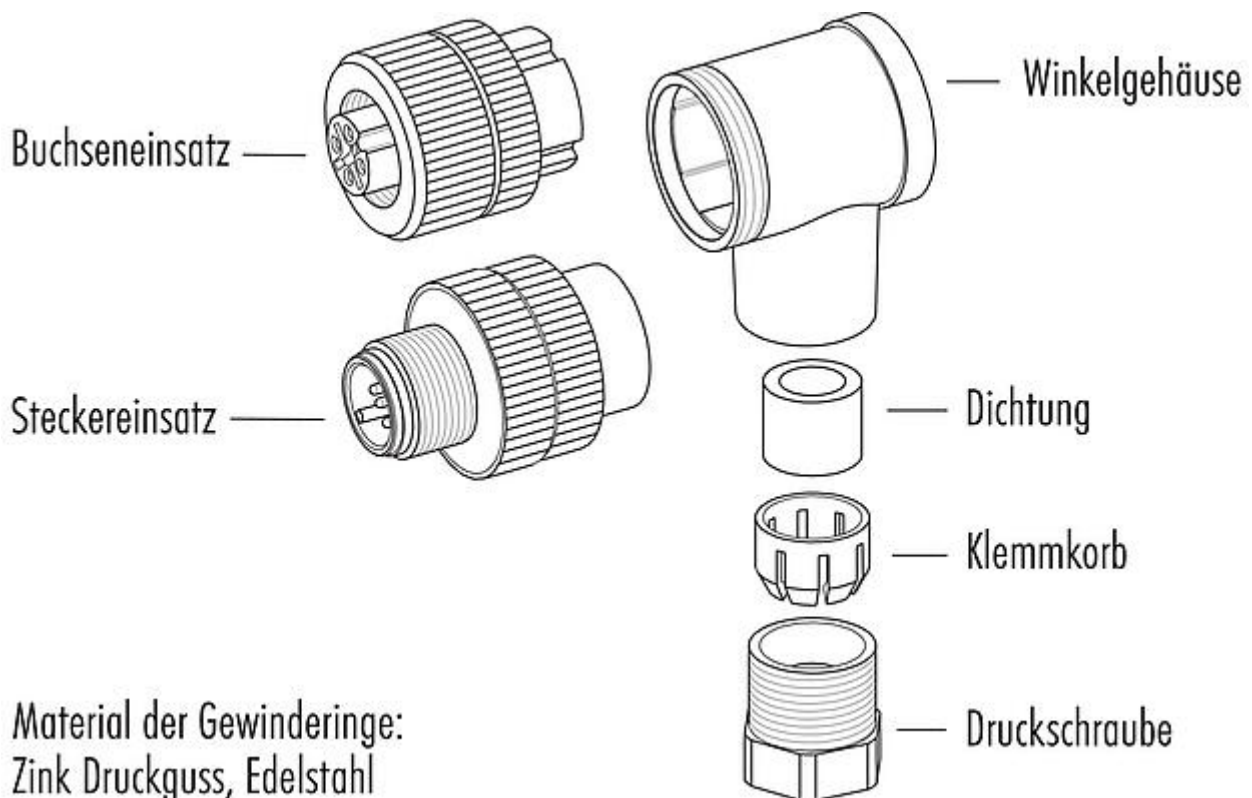
Declarations of conformity

Low Voltage Directive	2014/35/EU (EN 60204-1:2018;EN 60529:1991)
-----------------------	--

Product description M12-B Male angled connector, Contacts: 5, 6.0 - 8.0 mm, unshielded, screw clamp, IP67, UL

Area M12-B series 715
Part no. 99 0437 145 05

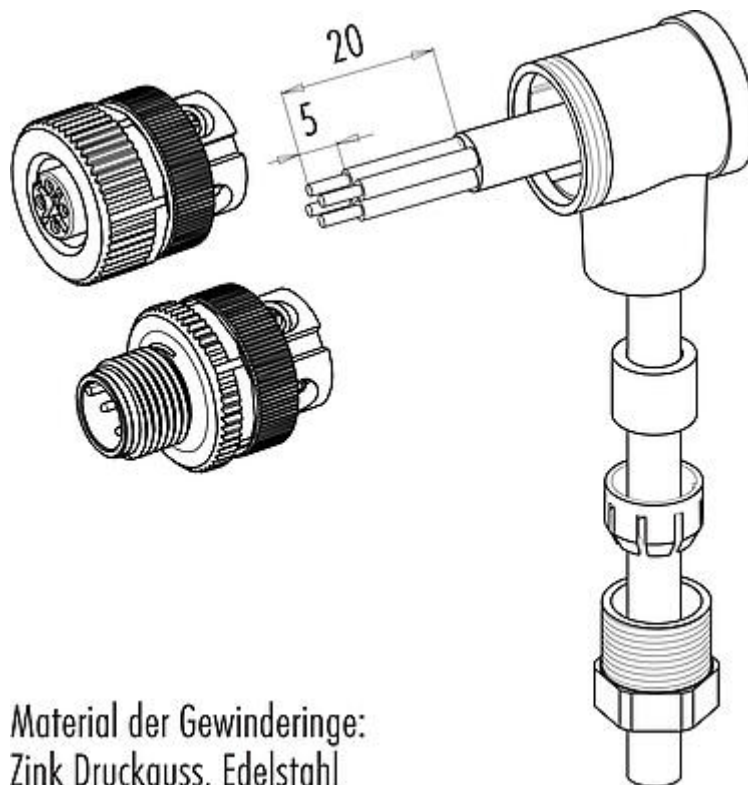
Component part drawing



Product description M12-B Male angled connector, Contacts: 5, 6.0 - 8.0 mm, unshielded, screw clamp, IP67, UL

Area M12-B series 715
Part no. 99 0437 145 05

Assembly instructions



Product description	M12-B Male angled connector, Contacts: 5, 6.0 - 8.0 mm, unshielded, screw clamp, IP67, UL
Area	M12-B series 715
Part no.	99 0437 145 05

Security notices

The connectors have been developed for applications in plant engineering, control and electrical equipment construction. The user is responsible for checking whether the connectors can also be used in other areas of application.

Plug connectors with enclosure protection IP67 and IP68 are not suitable for use under water. When used outdoors, the plug connectors must be protected separately against corrosion. For further information on the IP protection classes, please refer to the "Technical Information" download centre.

To lock the cable connector with the device connector, the threaded ring is tightened "hand-tight" (approx. 60 cNm).