

# Product data sheet

## Miniature connectors

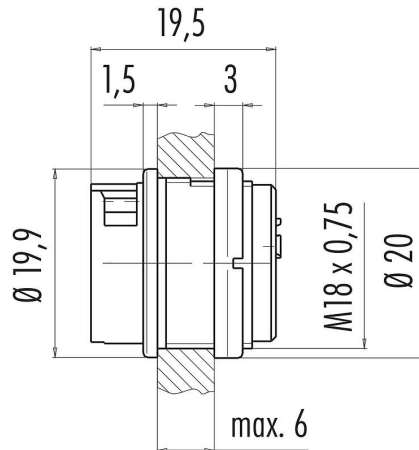


Product description	Bayonet female panel mount connector, Contacts: 6 DIN, unshielded, solder, IP40
Area	Bayonet series 678
Part no.	99 0620 00 06

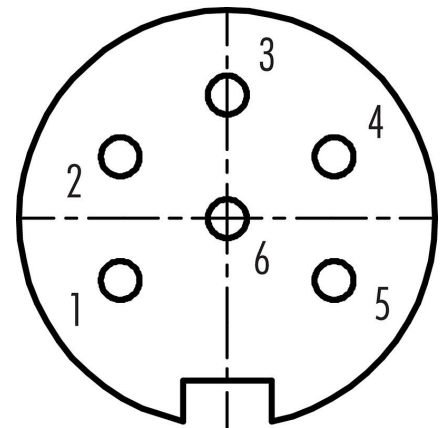
### Illustration



### Scale drawing



### Contact arrangement (Plug-in side)



You can find the assembly instructions on the next page.

## Technical data

### General features

Part no.	99 0620 00 06
Connector design	female panel mount connector
Version	female straight
Connector locking system	Bayonet
Termination	solder
Degree of protection	IP40
Cross-sectional area	max. 0.75 mm <sup>2</sup> / AWG 18
Temperature range from/to	-40 °C / 85 °C
Tightening torque	0,5 - 1 Nm (screw nut)
Mechanical operation	> 500 Mating cycles
Weight (g)	6.53
Customs tariff number	85369010

### Electrical parameters

Rated voltage	250 V
Rated impulse voltage	1500 V
Rated current (40 °C)	6,0 A
Insulation resistance	≥ 10 <sup>10</sup> Ω
Pollution degree	1
Overvoltage category	I

# Product data sheet

## Miniature connectors



Product description **Bayonet female panel mount connector, Contacts: 6 DIN, unshielded, solder, IP40**

Area **Bayonet series 678**  
Part no. **99 0620 00 06**

Insulating material group **III**  
EMC compliance **unshielded**

### Material

Housing material **PA**  
Contact body material **PBT (UL94 V-0)**  
Contact material **CuSn (bronze)**  
Contact plating **Ag (silver)**  
REACH SVHC **CAS 7439-92-1 (Lead)**  
SCIP number **2c415a08-6c58-4b20-87cf-39cc87c78ede**

### Classifications

eCl@ss 11.1 **27-44-01-02**  
ETIM 7.0 **EC002635**

**Product data sheet**  
**Miniature connectors**



Product description	<b>Bayonet female panel mount connector, Contacts: 6 DIN, unshielded, solder, IP40</b>
Area	<b>Bayonet series 678</b>
Part no.	<b>99 0620 00 06</b>

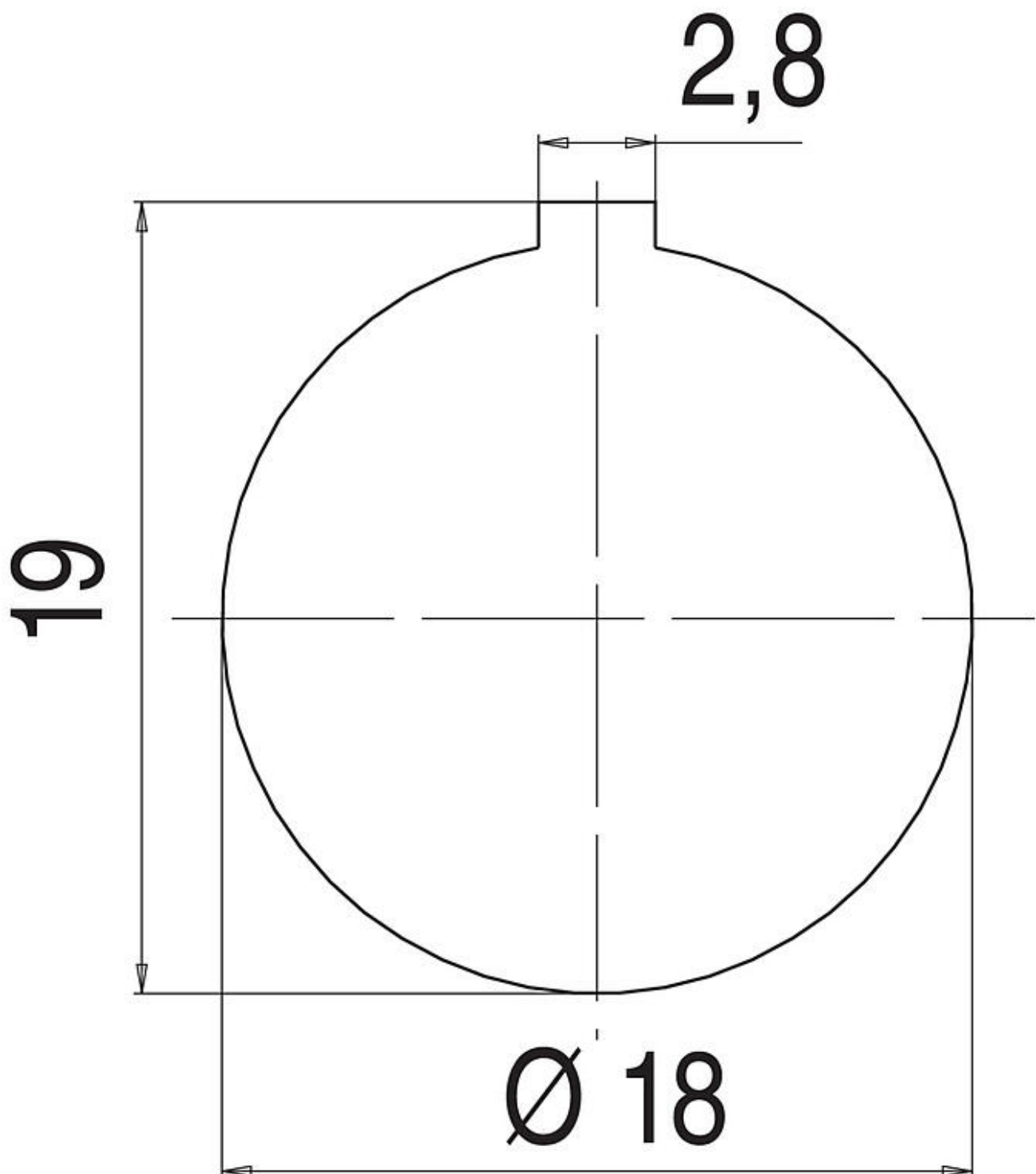
**Product data sheet**  
**Miniature connectors**



Product description	<b>Bayonet female panel mount connector, Contacts: 6 DIN, unshielded, solder, IP40</b>
Area	<b>Bayonet series 678</b>
Part no.	<b>99 0620 00 06</b>

Product description	Bayonet female panel mount connector, Contacts: 6 DIN, unshielded, solder, IP40
Area	Bayonet series 678
Part no.	99 0620 00 06

Assembly instructions / Panel cut-out



Product description	<b>Bayonet female panel mount connector, Contacts: 6 DIN, unshielded, solder, IP40</b>
Area	<b>Bayonet series 678</b>
Part no.	<b>99 0620 00 06</b>

### **Security notices**

The connector must not be plugged or unplugged under load. Non-observance and improper use can result in personal injury.

The connectors have been developed for applications in plant engineering, control and electrical equipment construction. The user is responsible for checking whether the connectors can also be used in other areas of application.

The plug connector is not suitable for mains voltages. Please observe the pollution degree and the overvoltage category. For further information, please refer to the download center "Technical Information".