

Product data sheet

Miniature connectors

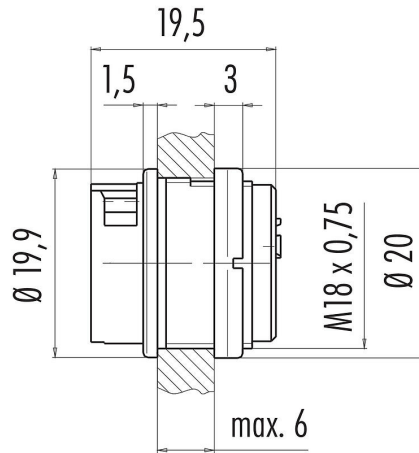


Product description	Bayonet female panel mount connector, Contacts: 7, unshielded, solder, IP40
Area	Bayonet series 678
Part no.	99 0624 00 07

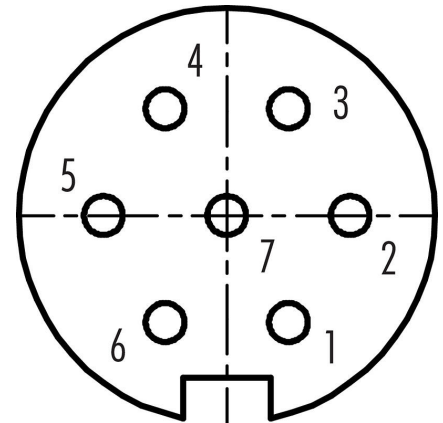
Illustration



Scale drawing



Contact arrangement (Plug-in side)



You can find the assembly instructions on the next page.

Technical data

General features

Part no.	99 0624 00 07
Connector design	female panel mount connector
Version	female straight
Connector locking system	Bayonet
Termination	solder
Degree of protection	IP40
Cross-sectional area	max. 0.75 mm ² / AWG 18
Temperature range from/to	-40 °C / 85 °C
Tightening torque	0,5 - 1 Nm (screw nut)
Mechanical operation	> 500 Mating cycles
Weight (g)	6.61
Customs tariff number	85369010

Electrical parameters

Rated voltage	125 V
Rated impulse voltage	800 V
Rated current (40 °C)	5,0 A
Insulation resistance	≥ 10 ¹⁰ Ω
Pollution degree	1
Overvoltage category	I

Product data sheet

Miniature connectors



Product description **Bayonet female panel mount connector, Contacts: 7, unshielded, solder, IP40**

Area **Bayonet series 678**
Part no. **99 0624 00 07**

Insulating material group **III**
EMC compliance **unshielded**

Material

Housing material **PA**
Contact body material **PBT (UL94 V-0)**
Contact material **CuSn (bronze)**
Contact plating **Ag (silver)**
REACH SVHC **CAS 7439-92-1 (Lead)**
SCIP number **32fc9b85-6215-4ae0-829e-dd21baa244f0**

Classifications

eCl@ss 11.1 **27-44-01-02**
ETIM 7.0 **EC002635**

Product data sheet
Miniature connectors



Product description	Bayonet female panel mount connector, Contacts: 7, unshielded, solder, IP40
Area	Bayonet series 678
Part no.	99 0624 00 07

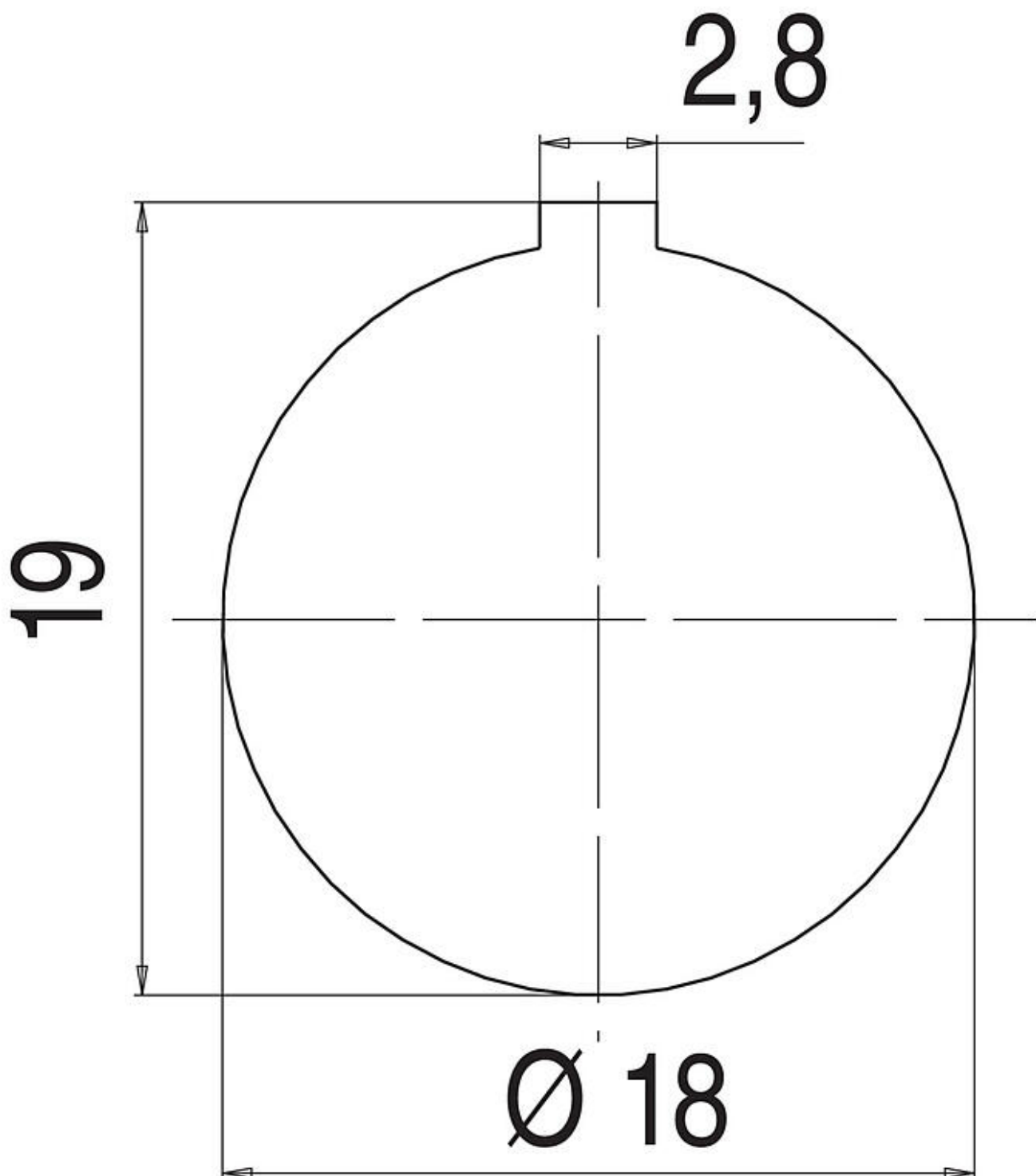
Product data sheet
Miniature connectors



Product description	Bayonet female panel mount connector, Contacts: 7, unshielded, solder, IP40
Area	Bayonet series 678
Part no.	99 0624 00 07

Product description	Bayonet female panel mount connector, Contacts: 7, unshielded, solder, IP40
Area	Bayonet series 678
Part no.	99 0624 00 07

Assembly instructions / Panel cut-out



Product data sheet

Miniature connectors



Product description	Bayonet female panel mount connector, Contacts: 7, unshielded, solder, IP40
Area	Bayonet series 678
Part no.	99 0624 00 07

Security notices

The connector must not be plugged or unplugged under load. Non-observance and improper use can result in personal injury.

The connectors have been developed for applications in plant engineering, control and electrical equipment construction. The user is responsible for checking whether the connectors can also be used in other areas of application.