

Product data sheet

Automation technology - voltage and power supply

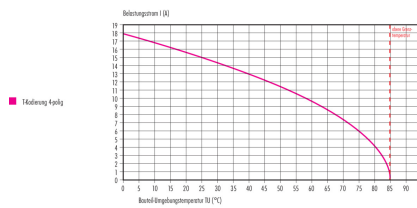


Product description	M12-T female angled connector, Contacts: 4, 8.0 - 10.0 mm, unshielded, screw clamp, IP67, UL, VDE
Area	M12-T series 813
Order number	99 0630 58 04

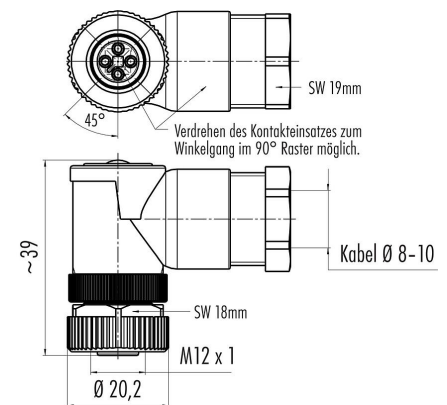
Illustration



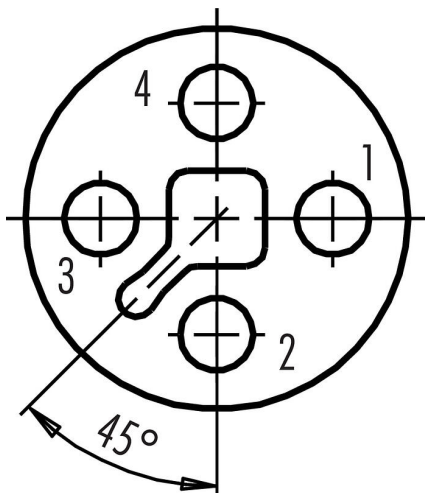
Derating curve



Scale drawing



Contact arrangement (Plug-in side)



You can find the assembly instructions on the next page.

Technical data

General features

Order number	99 0630 58 04
Connector design	female angled connector
Version	connector female angled



Product description	M12-T female angled connector, Contacts: 4, 8.0 - 10.0 mm, unshielded, screw clamp, IP67, UL, VDE
Area	M12-T series 813
Order number	99 0630 58 04

Connector locking system	screw
Termination	screw clamp
Degree of protection	IP67
Cross-sectional area	max. 1.50 mm ² / max. AWG 16
Cable outlet	8.0 - 10.0 mm
Twistability	90° (4 coding options)
Temperature range from/to	-40 °C / 85 °C
Mechanical operation	> 100 Mating cycles
Weight (g)	29.5
Customs tariff number	85369010

Electrical parameters

Rated voltage	63 V
Rated impulse voltage	1500 V
Rated current (40 °C)	12 A
Pollution degree	3
Overvoltage category	III
Insulating material group	III
EMC compliance	unshielded

Material

Housing material	Zinc die-cast nickel-plated
Contact body material	PA
Contact material	CuZn (brass)
Contact plating	Au (gold)
REACH SVHC	CAS 7439-92-1 (Lead)

Authorization/approvals

Approvals	UL, VDE
-----------	---------

Classifications

eCl@ss 11.1	27-44-01-02
ETIM 7.0	EC002635

Product data sheet

Automation technology - voltage and power supply



Product description	M12-T female angled connector, Contacts: 4, 8.0 - 10.0 mm, unshielded, screw clamp, IP67, UL, VDE
Area	M12-T series 813
Order number	99 0630 58 04

Product data sheet

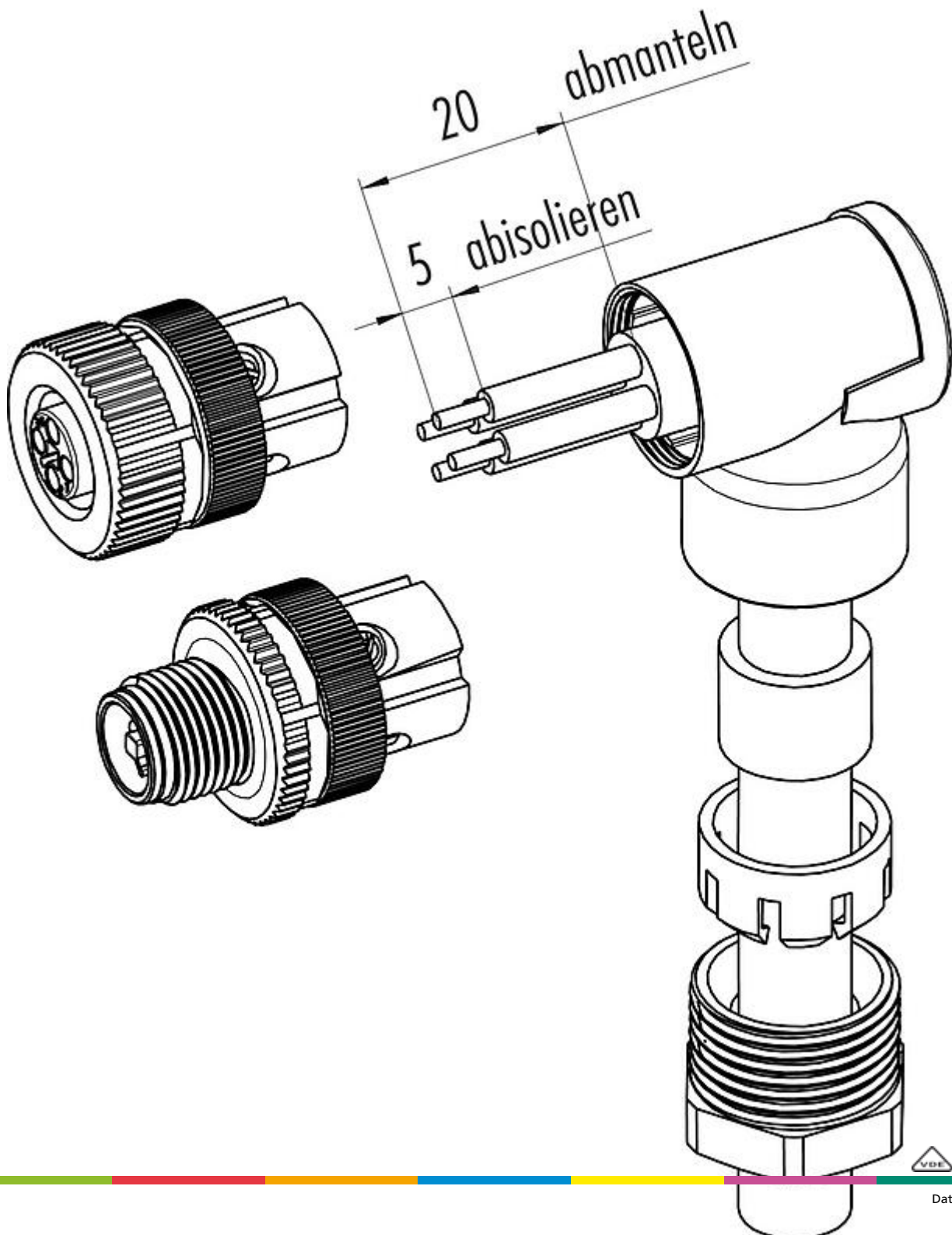
Automation technology - voltage and power supply



Product description	M12-T female angled connector, Contacts: 4, 8.0 - 10.0 mm, unshielded, screw clamp, IP67, UL, VDE
Area	M12-T series 813
Order number	99 0630 58 04

Product description	M12-T female angled connector, Contacts: 4, 8.0 - 10.0 mm, unshielded, screw clamp, IP67, UL, VDE
Area	M12-T series 813
Order number	99 0630 58 04

Assembly instructions



Product description	M12-T female angled connector, Contacts: 4, 8.0 - 10.0 mm, unshielded, screw clamp, IP67, UL, VDE
Area	M12-T series 813
Order number	99 0630 58 04

Security notices

The connectors have been developed for applications in plant engineering, control and electrical equipment construction. The user is responsible for checking whether the connectors can also be used in other areas of application.

Plug connectors with enclosure protection IP 67 and IP 68 are not suitable for use under water. When used outdoors, the plug connectors must be protected separately against corrosion. For further information on the IP protection classes, please refer to the "Technical Information" download centre.

To lock the cable connector with the device connector, the threaded ring is tightened "hand-tight" (approx. 60 cNm).