

# Product data sheet

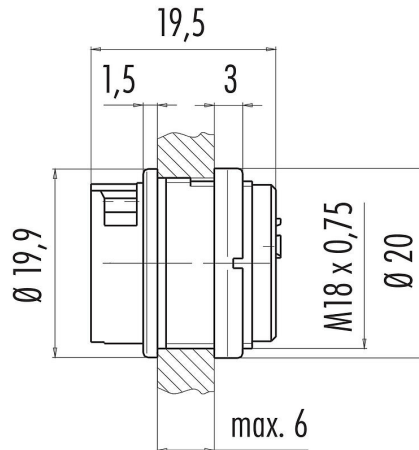
## Miniature connectors

Product description	Bayonet female panel mount connector, Contacts: 12, unshielded, solder, IP40
Area	Bayonet series 678
Part no.	99 0652 00 12

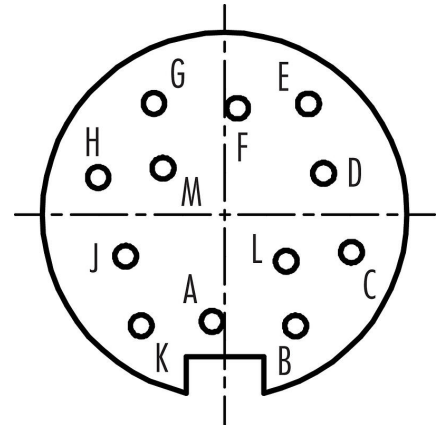
### Illustration



### Scale drawing



### Contact arrangement (Plug-in side)



You can find the assembly instructions on the next page.

### Technical data

#### General features

Part no.	99 0652 00 12
Connector design	female panel mount connector
Version	female straight
Connector locking system	Bayonet
Termination	solder
Degree of protection	IP40
Cross-sectional area	max. 0.25 mm <sup>2</sup> / AWG 24
Temperature range from/to	-40 °C / 85 °C
Tightening torque	0,5 - 1 Nm (screw nut)
Mechanical operation	> 500 Mating cycles
Weight (g)	5.92
Customs tariff number	85369010

#### Electrical parameters

Rated voltage	60 V
Rated impulse voltage	500 V
Rated current (40 °C)	3,0 A
Insulation resistance	≥ 10 <sup>10</sup> Ω
Pollution degree	1
Overvoltage category	I

# Product data sheet

## Miniature connectors



Product description **Bayonet female panel mount connector, Contacts: 12, unshielded, solder, IP40**

Area **Bayonet series 678**  
Part no. **99 0652 00 12**

Insulating material group **III**  
EMC compliance **unshielded**

### Material

Housing material **PA**  
Contact body material **PBT (UL94 V-0)**  
Contact material **CuSn (bronze)**  
Contact plating **Au (gold)**  
REACH SVHC **CAS 7439-92-1 (Lead)**  
SCIP number **f901c5f5-ee48-4654-a0ae-c9c60ca66b4c**

### Classifications

eCl@ss 11.1 **27-44-01-02**  
ETIM 7.0 **EC002635**

Product description **Bayonet female panel mount connector, Contacts: 12, unshielded, solder, IP40**

Area **Bayonet series 678**  
Part no. **99 0652 00 12**

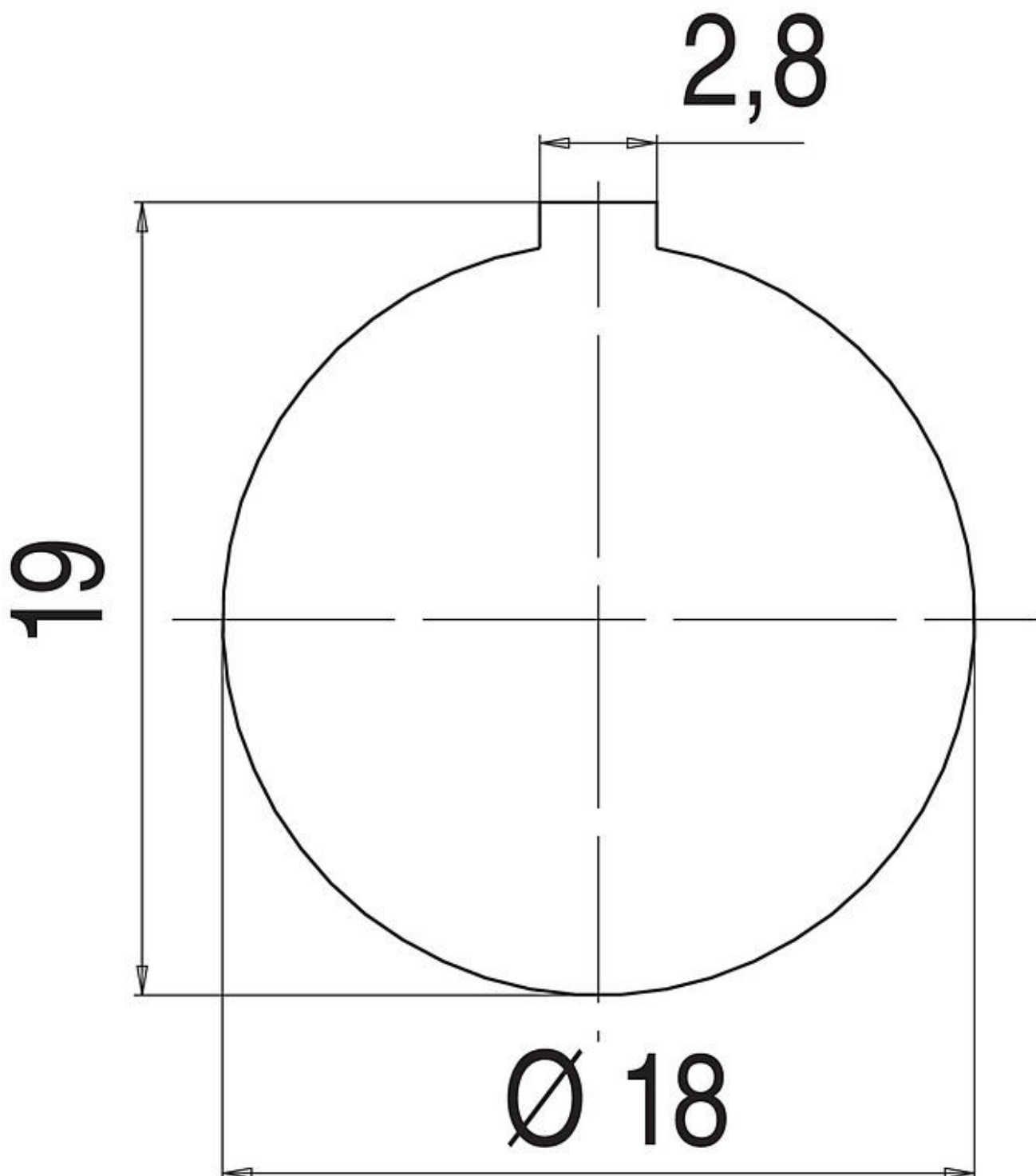
Product description **Bayonet female panel mount connector, Contacts: 12, unshielded, solder, IP40**

Area **Bayonet series 678**  
Part no. **99 0652 00 12**

Product description Bayonet female panel mount connector, Contacts: 12, unshielded, solder, IP40

Area Bayonet series 678  
Part no. 99 0652 00 12

Assembly instructions / Panel cut-out



# Product data sheet

## Miniature connectors



Product description	<b>Bayonet female panel mount connector, Contacts: 12, unshielded, solder, IP40</b>
Area	<b>Bayonet series 678</b>
Part no.	<b>99 0652 00 12</b>

### Security notices

The connectors have been developed for applications in plant engineering, control and electrical equipment construction. The user is responsible for checking whether the connectors can also be used in other areas of application.